

OWNER'S MANUAL



OWNER/USER RESPONSIBILITIES

It is the responsibility of the owner/user to read this manual and comply with the operating procedures. The owner/user is also responsible for inspecting the Rugged Ridge cover, and for having parts repaired or replaced when worn or damaged.

Failure to follow safety instructions and warning labels could result in failure of your cover system and/or personal injury.

MESSAGES TO INSTALLER

- Always wear safety glasses and/or other necessary protective equipment when installing your Rugged Ridge truck bed cover.
- These instructions are complete for most pickup models. Additional instructions are included, if required for your truck. Please read entire manual before installing your Rugged Ridge truck bed cover.

COVER MAINTENANCE

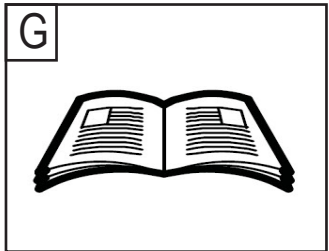
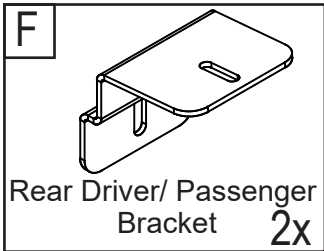
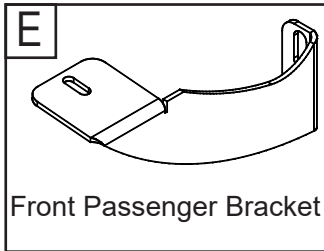
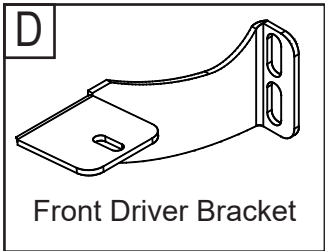
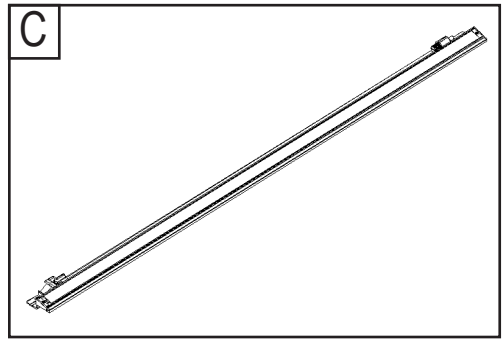
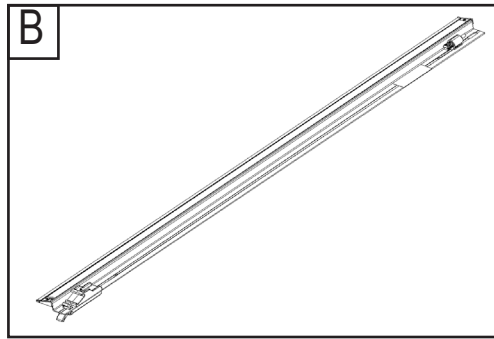
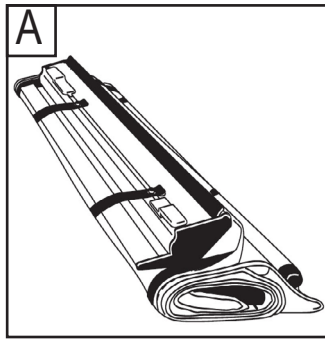
- Polyester/Vinyl cover can be hand washed with mild soap and water or cleaned in a car wash. Thoroughly rinse cover to remove any soap residue. For more maintenance info see page 8.

- It is recommended that you periodically check your Rugged Ridge cover to make sure it is securely attached to your truck bed. Inspect the clamps and front mounting bolts to ensure they were properly installed and have not come loose or knocked out of adjustment during operation. Covers that are used with high frequency or that are subject to vibrations and impact from rough roadways can require adjustment.

SAFETY INSTRUCTIONS

1. Do not place objects on or against cover or framework.
2. Do not tie cargo to truck bed cover framework.
3. **Never** allow children or pets to occupy pickup box while cover is closed.
4. Cover is not airtight. Special care is required to keep cargo clean and dry.
5. Fabric cover won't prevent theft of contents inside truck box.
6. Cover must be rolled fully open and secured with retainer straps when towing vehicle backwards.
7. Opened Cover must be secured with both retainer straps when driving vehicle
8. DO NOT stow rolled cover against cab window.
9. Cover must be rolled fully open and secured with retainer straps if any part of the truck bed cover is worn or damaged.

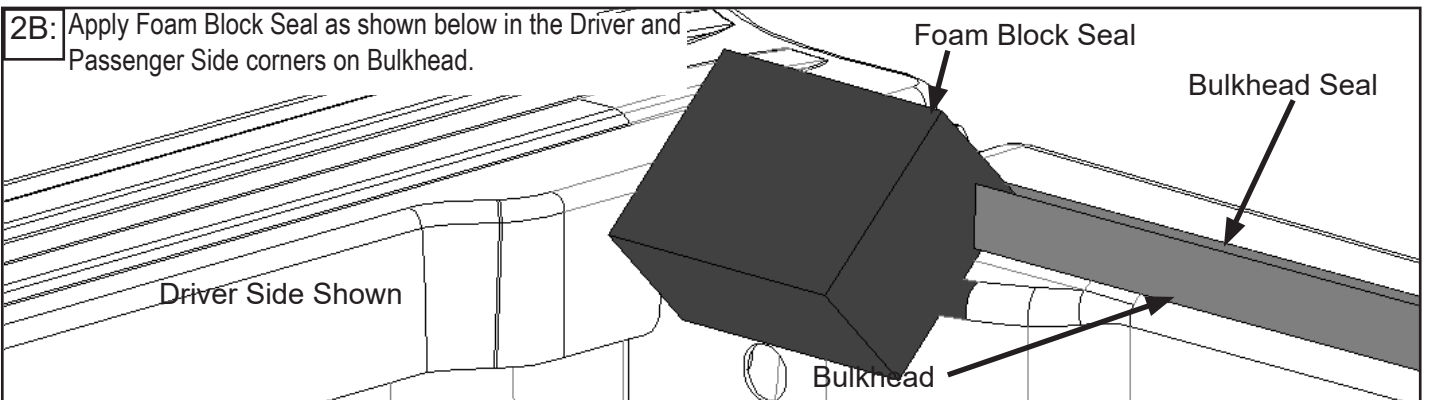
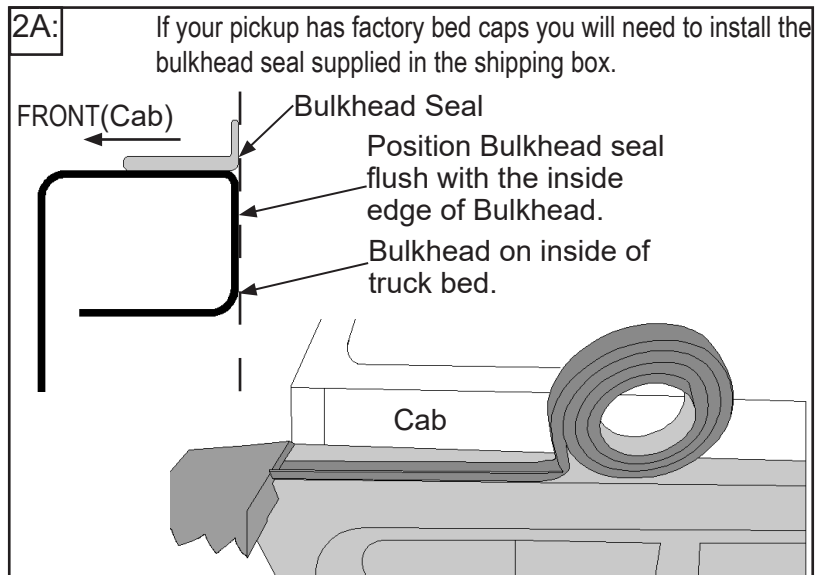
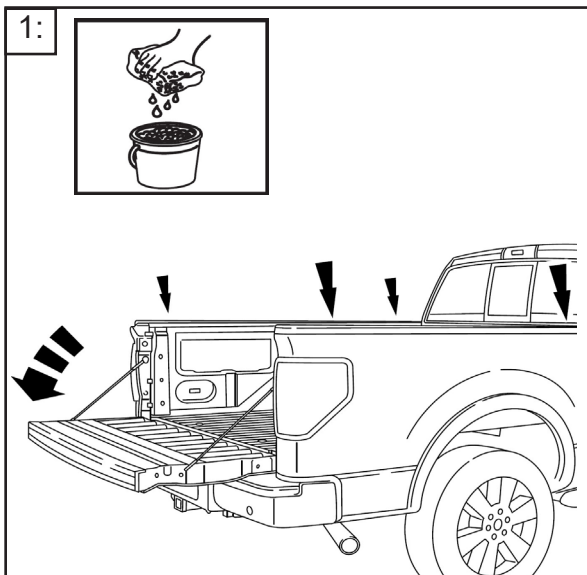
Components:



Tools Required

1/2"
T-27 Hex
1/8" Hex
5mm Hex

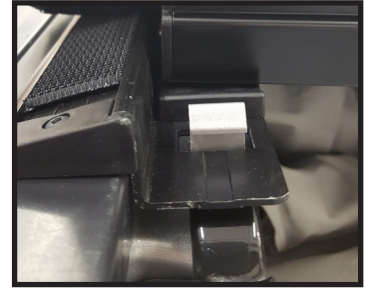
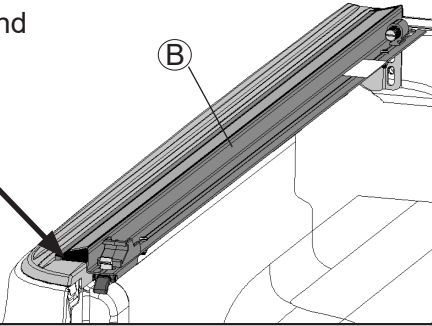
Correct



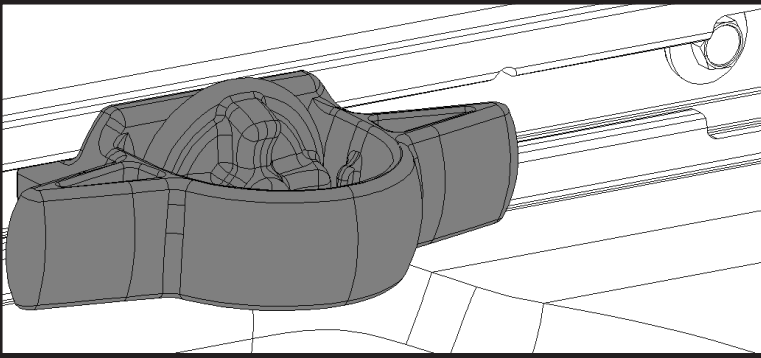
INSTALLING BRACKETS AND RAILS CONT:

- 3:** Position side rails. See step 4 and 5 for side rail bracket and side rail installation.

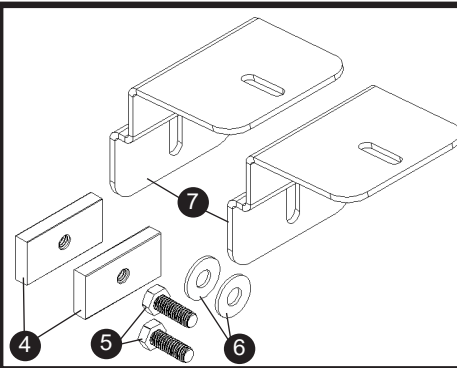
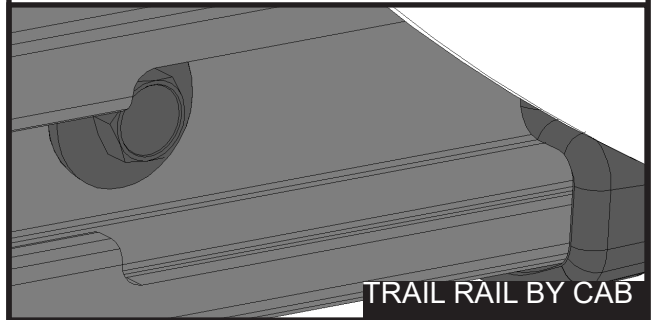
ATTENTION: RAIL SITS ON TOP OF TRUCK BED RAIL.



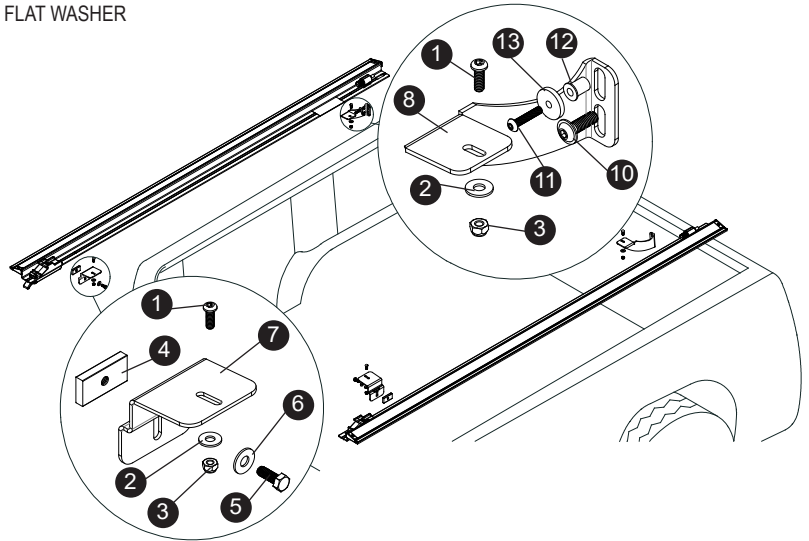
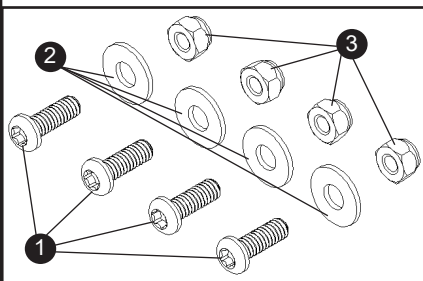
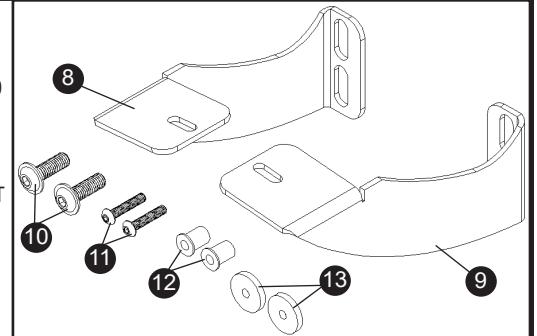
- 4:** Loosen both tie down anchors in each Trail Rail, slide them to the front of the cab and remove them from the Rail.



- 5:** Tie down anchors will come out of the Trail Rail at location shown below.

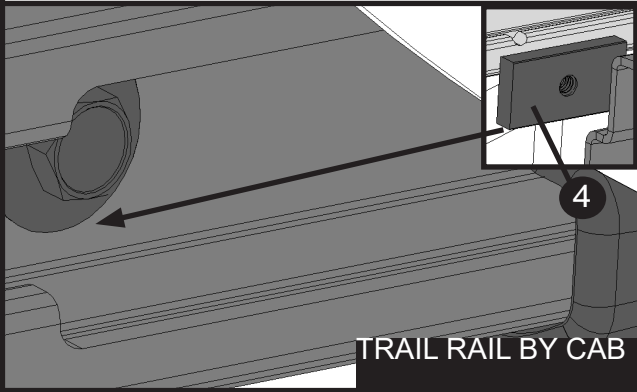


Item	Part #	Description
1.	1705596	BUTTON HEAD SCREW 1/4"-20
2.	1700427	FLAT WASHER 1/4"-USS
3.	1701543	HEX NUT_FULL NYLON LOCK 1/4"-20
4.	1705880	5/16" RAIL SYSTEM NUT
5.	1705954	CAP SCREW HEX HEAD 5/16-18
6.	1700428	FLAT WASHER 5/16-18
7.	1706275	DRIVER/PASSENGER REAR BRACKET
8.	1706273	DRIVER FRONT BRACKET
9.	1706274	PASSENGER FRONT BRACKET
10.	1706277	CAP SCREW BUTTON HEAD M8
11.	1706278	CAP SCREW BUTTON HEAD 10-32
12.	1706279	WELL NUT 10-32
13.	1706347	FLAT WASHER

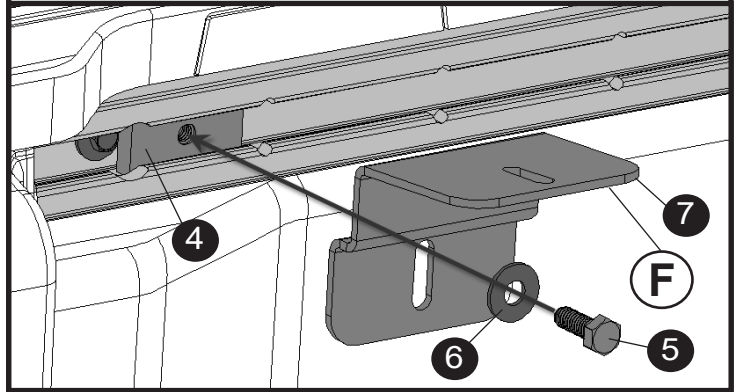


INSTALLING BRACKETS AND RAILS CONT:

6A: Insert nut into Trail Rail system and slide nut to the rear of truck.



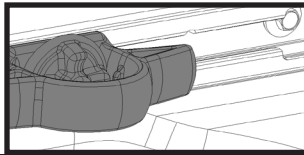
6B: Assemble bolt/washer and bracket as shown and leave loose at this time.



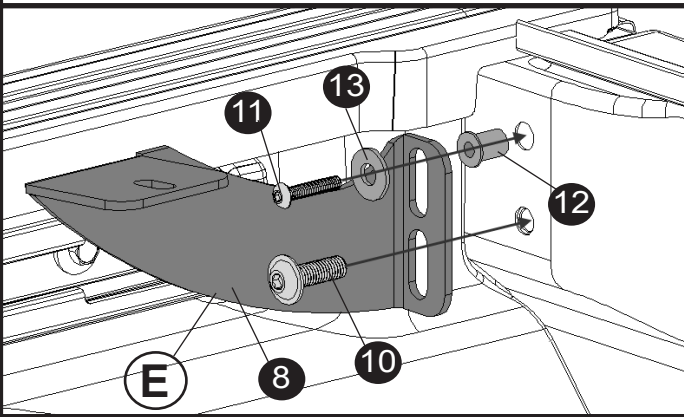
INSTALLING BRACKETS AND RAILS CONT:

ATTENTION:

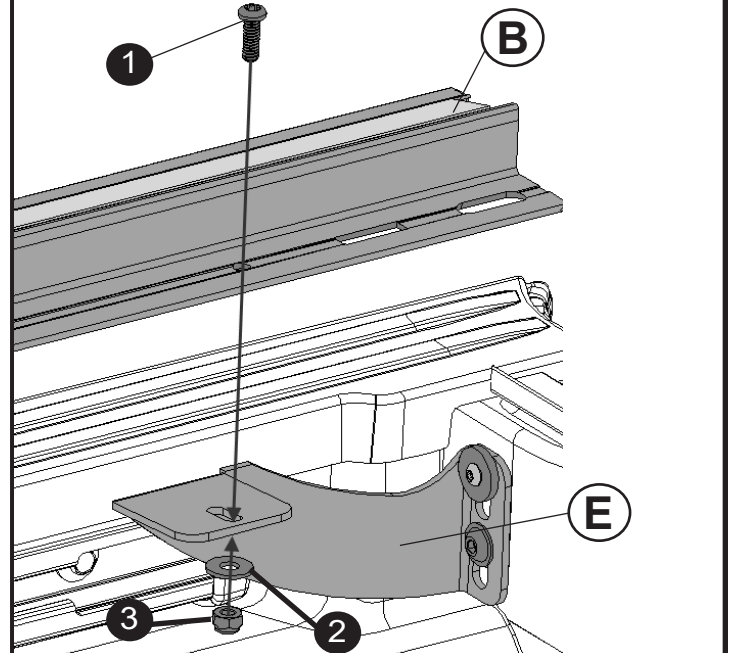
At this time, reinstall the tie down anchors into the Trail Rail system that were taken out in Step 4.



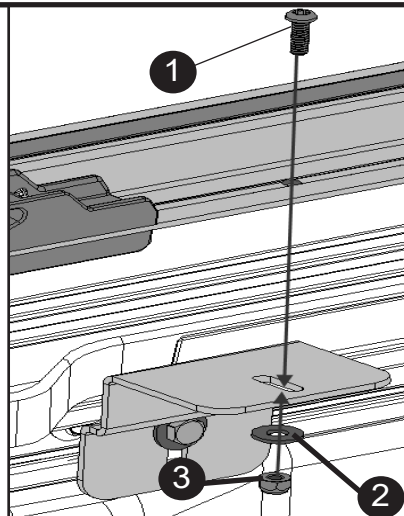
7: Assemble front bracket to Bulkhead as shown below while leaving bolts loose at this time.



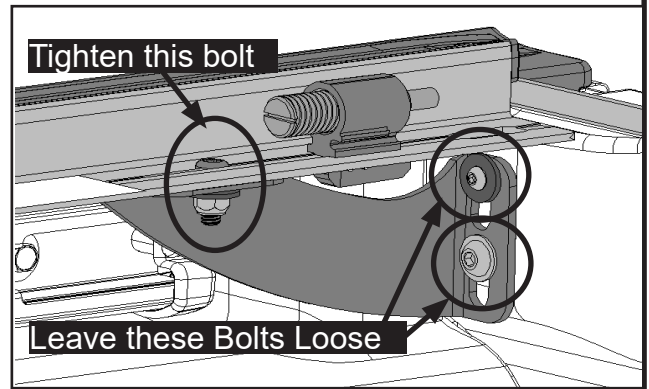
8: Locate the Mounting hole in rail at the front. Proceed by lining up that hole with the slot in the front bracket from step 7 and assemble hardware as shown.



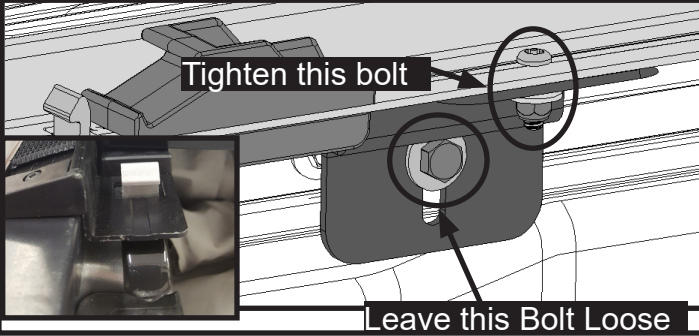
9: Locate the Mounting hole in rail at the rear. Proceed by lining up the mounting hole with the slot in rear bracket from step 6B and assemble hardware as shown.



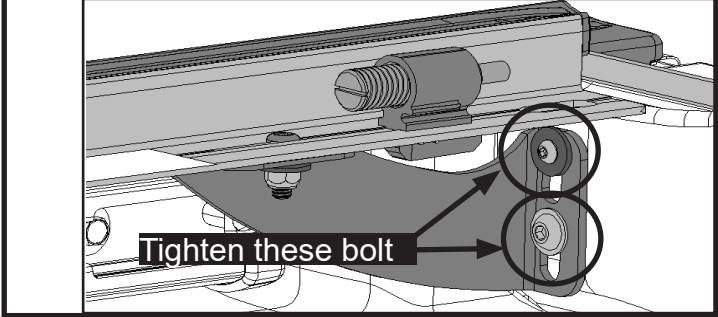
10: Apply pressure on the rail down and towards the outside of the bed while tightening the bolt to hold rail down to bracket.



11: Apply pressure on the rail down and towards the outside of the bed while tightening the bolt to hold rail down to bracket.

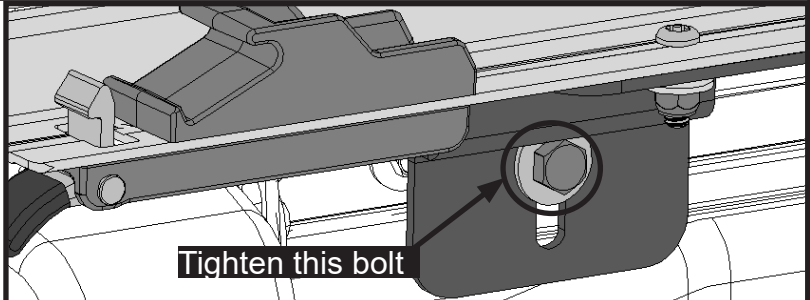


12: Apply pressure down on the rail and the bracket to compress the rail seal and tighten the two bolts that go into the front bulkhead.



INSTALLING BRACKETS AND RAILS CONT:

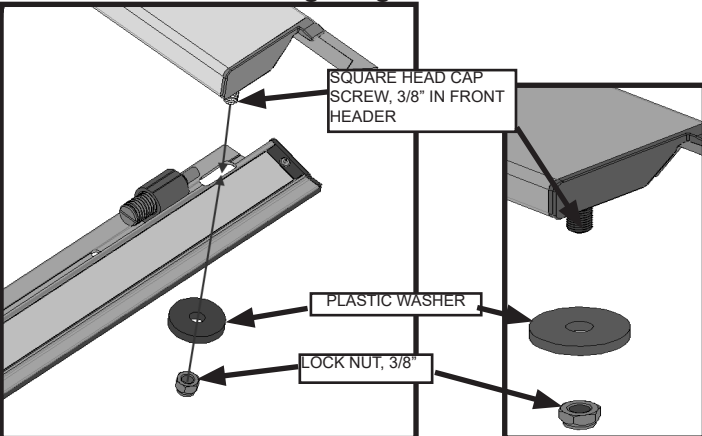
13: Apply pressure down on the rail and the bracket to compress the rail seal and tighten the bolt.



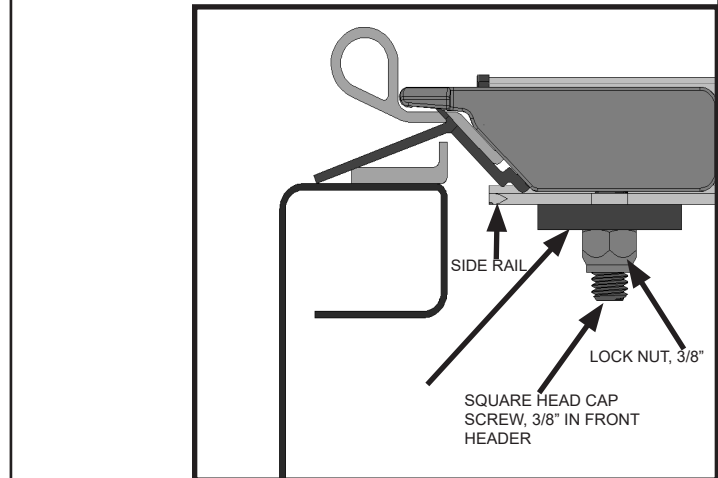
14: Repeat steps 4-13 on passenger side for item C. Proceed to step 15 when complete.

INSTALLING COVER ASSEMBLY:

15: Set cover assembly across cab end of side rails. Insert square head cap screws through slots in side rails. Secure with plastic washers and lock nuts. Finger tighten.

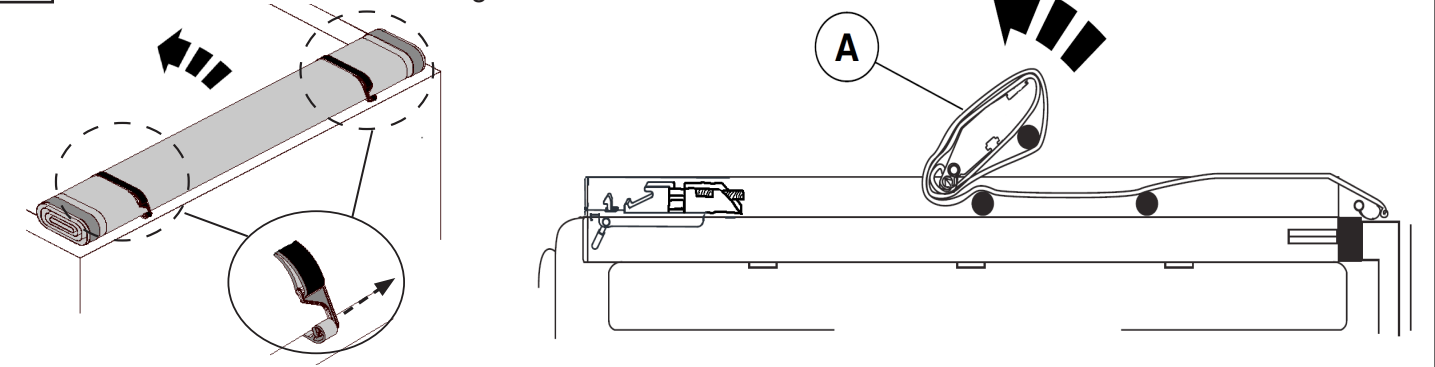


16: Tighten bolts but to not over tighten. Header must be free to slide.



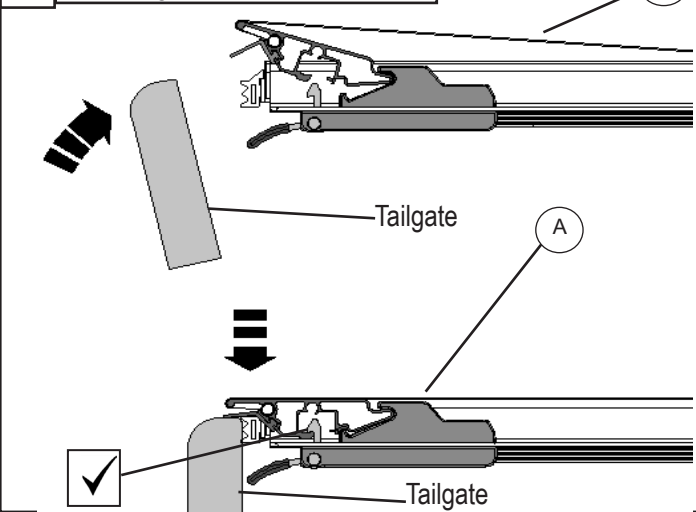
CLOSING THE COVER:

17: Unhook and roll cover to the tailgate.

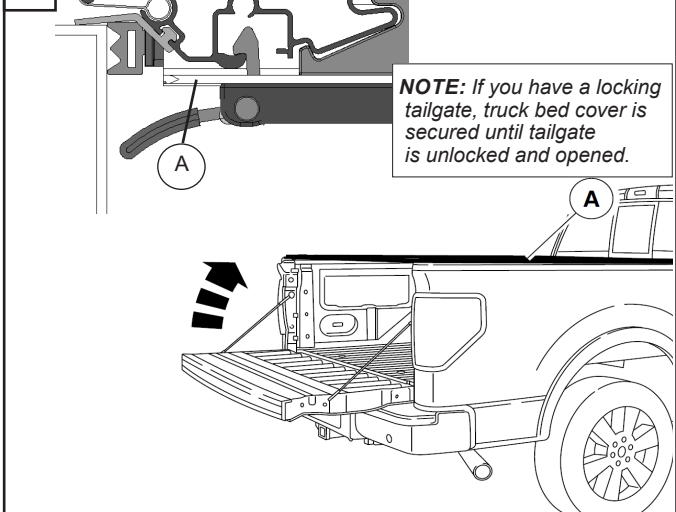


CLOSING THE COVER CONT:

18: Close tailgate, then cover

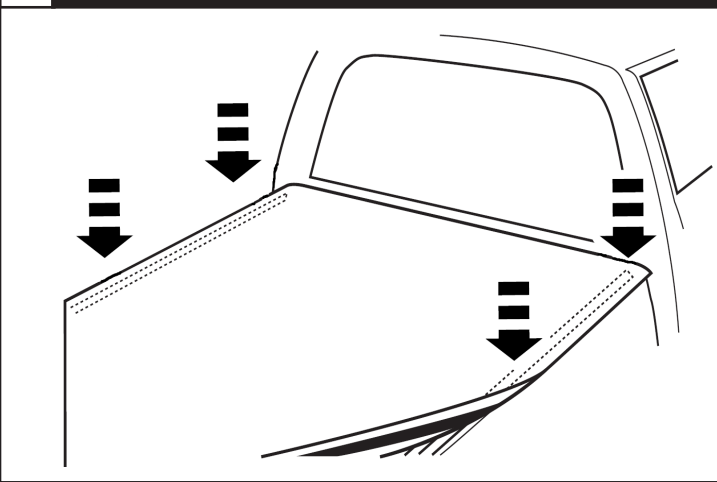


19:



NOTE: If you have a locking tailgate, truck bed cover is secured until tailgate is unlocked and opened.

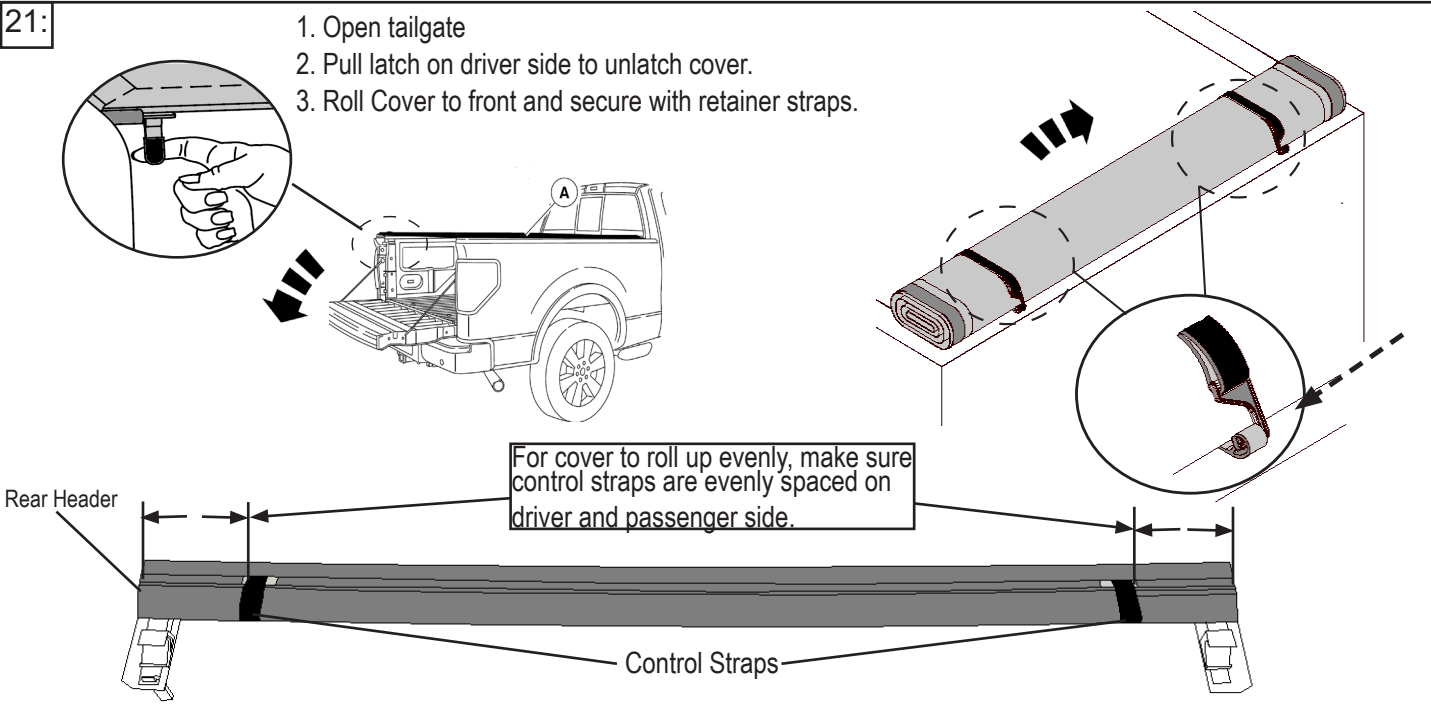
20: SETTING HOOK AND LOOP FASTENER:



Note: Small wrinkles may be present after closing cover for first time. Remove wrinkles by pulling cover material from each side. For best results have cover unlatched. Relatch rear header after adjustments have been made.

IMPORTANT: Before driving vehicle, secure hook and loop fastener by running your hand down entire length of each rail. This will prevent wind lifting the cover and causing damage.

OPENING THE COVER:

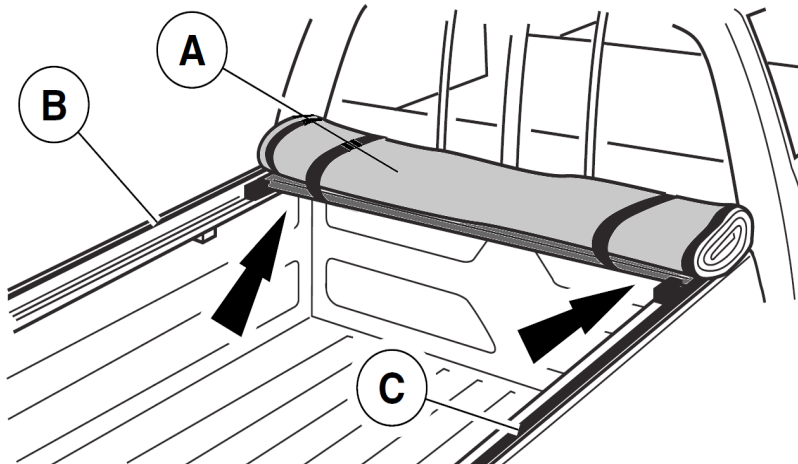


CAUTION / ATTENTION/ PRECAUCIÓN

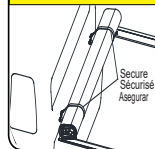
ROLL COVER TIGHT AND SECURE BOTH RETAINER STRAPS. **DO NOT** STOW COVER AGAINST CAB WINDOW.

COUVERTURE DE ROULEAU SERRÉ ET GARANTIR DEUX SANGLES DE SÉCURITÉ. **NE PAS** RANGER LA COUVERTURE CONTRE LA FENÊTRE DE LA CABINE.

ENVUELVE CUBIERTA FIRMEMENTE, Y ASEGURA AMBAS CORREAS DE LA SEGURIDAD. **NO** GUARDE CUBIERTA CONTRA VENTANA DE CABINA. P/N 1705298



CAUTION / ATTENTION/ PRECAUCIÓN



Before driving with cover open, BOTH STRAPS MUST BE SECURED TO RETAINING LOOPS. Failure to do so could cause accidental release of the cover, resulting in personal injury or property damage.

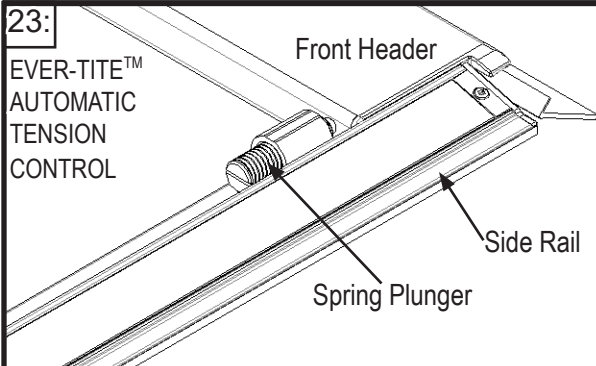
Avant de conduire avec le couvre-boîte ouvert, LES DEUX COURROIES DOIVENT ÊTRE SECURISÉ AUX BOUCLES DE RETENUE. Défaut de le faire pourrait causer libération accidentelle du couvre-boîte, résultant en blessures personnelles ou dommages aux biens.

Antes de conducir con cubierta abierta, AMBAS CORREAS DEBEN SER ASEGURADAS A LAZOS DE RETENCIÓN. El fracaso para hacer tan podría causar la liberación accidental de la cubierta, dando por resultado daños corporales o daños materiales.

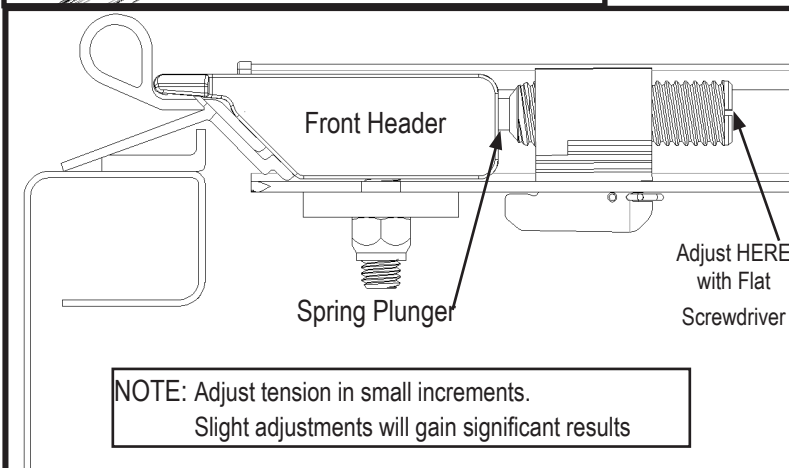
P/N 1705298

COVER TENSION ADJUSTMENT

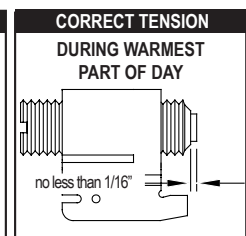
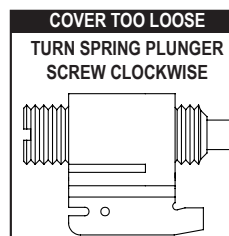
EVER-TITE™
AUTOMATIC
TENSION
CONTROL



- Spring plunger compensates for material expansion & contraction caused by temperature changes.
- Check cover tension after installation, seasonally, and after extreme temperature changes.
- For best performance, adjust tension regularly to protect your cover against wind wear.



Set tension during WARMEST PART OF THE DAY. With cover closed, release hook and loop fastener from both sides rails near cab. Check compression of both spring plungers against the front header per diagram. Roll cover open and make adjustments. Close cover and re-check adjustment. Repeat until satisfactory tension has been achieved.



TROUBLESHOOTING FABRIC/ FABRIC CARE

1. Fabric top surface has wrinkles after rolling cover closed.

- Pull fabric taut from each side. For best results, the help of a second person pulling on the opposite side is preferable.

2. Fabric top surface sags between cross tubes.

- Adjustment to automatic tension control may be required, refer to Step 23.

3. Wind lifts up edge of fabric.

- Make sure to engage hook and loop on driver and passenger side after closing the cover. This may need to be done periodically when taking long trips.

4. Excessive fabric flutter while driving.

- Check fabric tension, refer to Step 23.
- Make sure hook and loop fasteners are set, see step 20.

5. Snow and Ice accumulation on top surface.

- Use broom or brush to remove loose snow and ice. **Do not** use sharp or pointed tools to remove snow and ice .
- Direct sunlight will help melt snow and ice from top surface.

6. How to Clean Fabric.

- Soap, water, and soft fine bristle brush.

TROUBLESHOOTING

HEADER WILL NOT LATCH:

Check Rugged Ridge rails to make sure they are level.

Make sure the rear header seal is not caught between side rail & rear header.

Check position of side rails on truck bed, they may be positioned incorrectly.

Make sure cover has proper tension. See Step 23.

THE COVER IS TOO TIGHT OR TOO LOOSE:

See Step 20 and 23.

COVER LEAKS WATER:

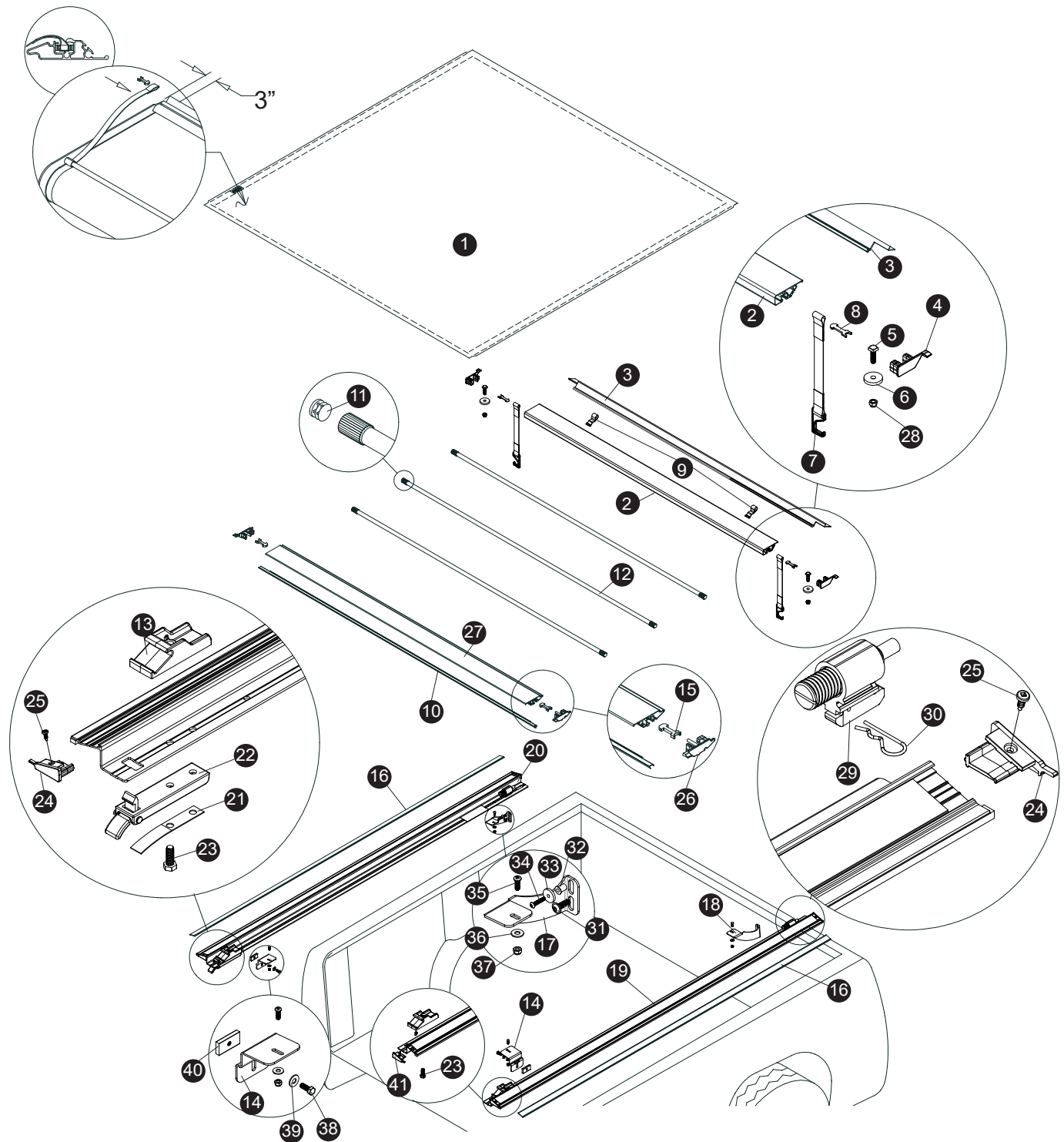
- Cover is not designed to be fully water tight.
- Make sure clamps are tight and rails are positioned correctly.
- Extra seal can be added to help block water intrusions.

TOP OF COVER POOLS WATER:

- Certain amount of water pooling is normal with fabric covers.
- The cross tubes are not arched, therefore some water pooling may occur and is normal. This will not affect performance or the water management properties in this fabric.
- Make sure cover is pulled tight on each side and automatic tension control is properly adjusted.

COVER ROLLS UP CROOKED:

- Make sure control straps are evenly set. See Step 21.



Replacement Parts

1	*	Replacement Cover	15	1705787	Header Insert Retainer Clip	30	1703332	Pin, Hitch_1/16" Dia.x 1-5/16" long.
2	*	Black Front Header	16	*	Hook and Loop Fasteners	31	1706277	Cap Screw Button Head M8
3	*	Header Seal Front	17	1706273	Driver Front Bracket	32	1706279	Well Nut 10-32
4	1118445	Front Header End Plugs (Set of Two)	18	1706274	Passenger Front Bracket	33	1706347	Flat Washer
5	1703455	Square Head Bolt 3/8"-16 X 1.25"	19	*	Passenger's Side Rail	34	1706278	Cap Screw Button Head 10-32 X 1
6	1115745	Plastic washer	20	*	Driver's Side Rail	35	1705596	Button Head Screw 1/4-20
7	*	Retainer Strap	21	1705727	Flat Spring, 5/8" x 3 7/8"	36	1700427	Flat Washer 1/4"
8	1115354	Header Retainer Clip	22	1116224	Latch Assembled	37	1701543	Nylon Lock Nut 1/4-20
9	*	Extruded Retainer Loop	23	1702926	Cap Screw, 5/16" x 7/8"	38	1705954	Cap Screw Hex Head 5/16-18 X 7/8"
10	*	Header Seal Rear	24	1705927	Left Hand Side Rail Endplug	39	1700428	Flat Washer 5/16"
11	1705052	End Plug, 1" OD	25	1705629	Square Head Screw (#1 Drive)	40	1705880	5/16" Rail System Nut
12	*	Aluminum Cross Tubes	26	1118192	Rear Header End Plugs (Set of Two)	41	1705928	Right Hand Side Rail Endplug
13	1704187	Header Stop	27	*	Black Rear Header			
14	1706275	Driver/ Passenger Rear Bracket	28	1701580	Nylon Lock Nut 3/8"			
			29	1115356	Tension Control Bracket			

* Please specify length or make and model of vehicle.

Discover other tonneau covers on our website.