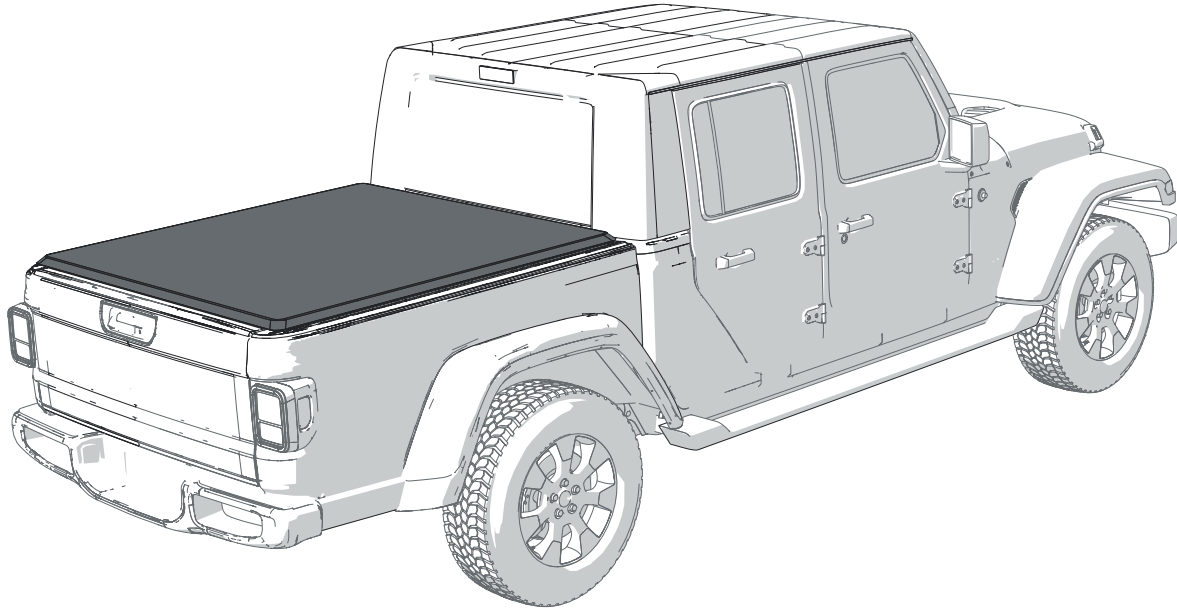
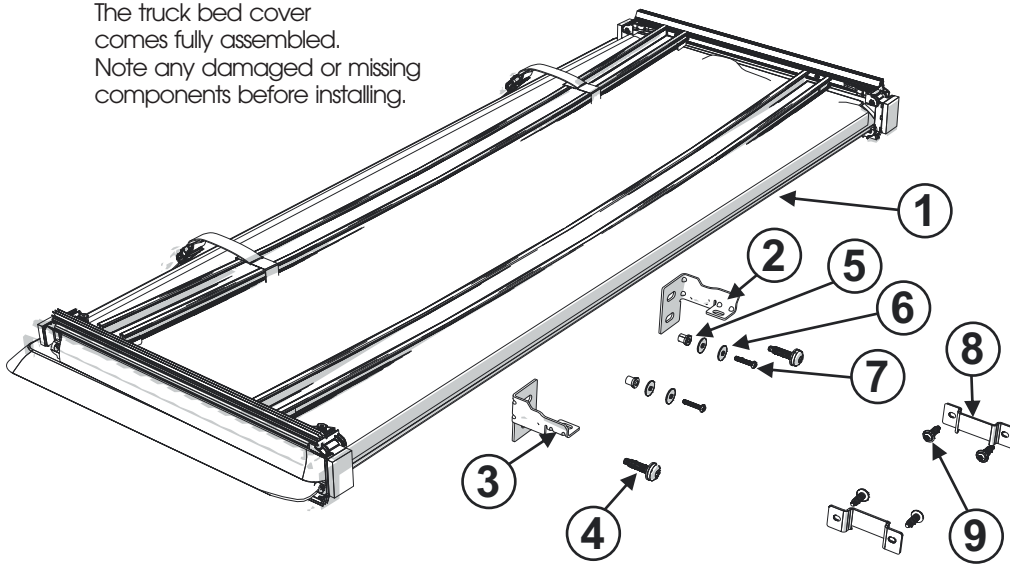


## Soft Folding Truck Bed Cover



The truck bed cover comes fully assembled. Note any damaged or missing components before installing.



Call Out	Description	Quantity
1	Soft Folding Cover Assembly	1
2	RH (passenger side) Cab Bracket	1
3	LH (driver side) Cab Bracket	1
4	Cab Bracket Bolt	2
5	Cab Bracket Well Nut	2
6	Cab Bracket Washer	4
7	Cab Bracket Screw	2
8	Tail Bracket	2
9	Tail Bracket Screw	4

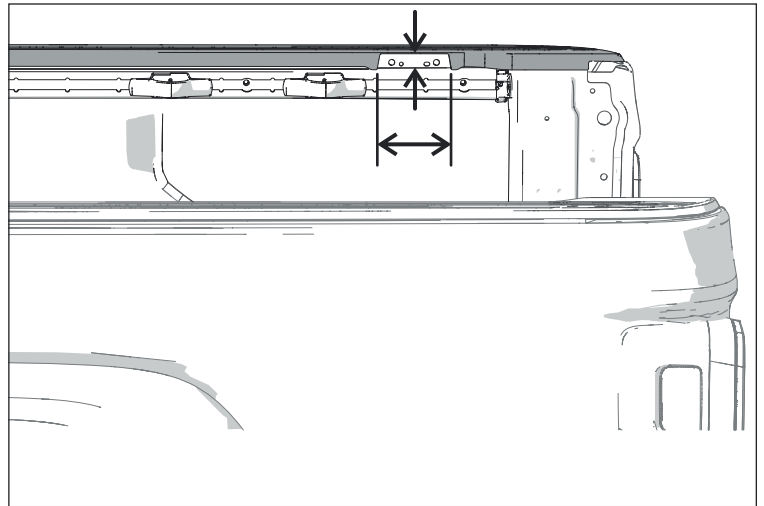


## Soft Folding Truck Bed Cover

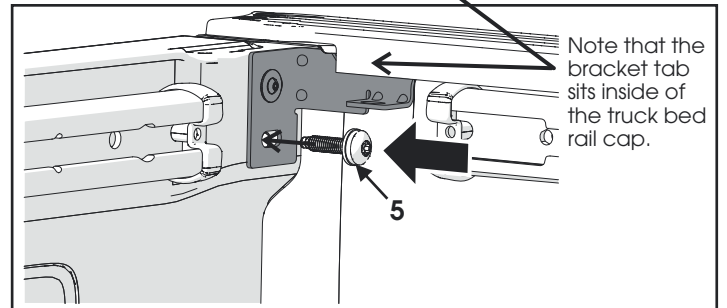
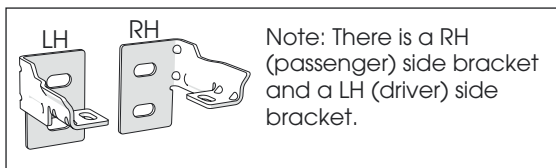
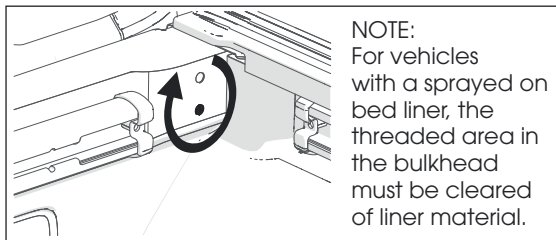
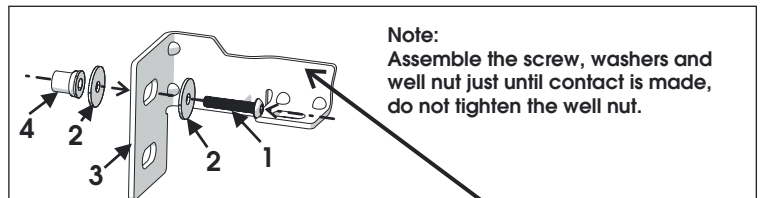
1. It is important that all areas of the bed cover installation are clean and free of debris prior to installing.



2. If the bed rail caps are not trimmed in the rear /tailgate section, cut using the scribed lines to expose the area shown.



3. Front/ Cab Brackets, insert the cab bracket screw (1) through the cab bracket washer (2) then through the upper hole of the cab bracket (3). Slide a second washer (2) on the screw on the backside of the bracket and thread into the well nut (4).

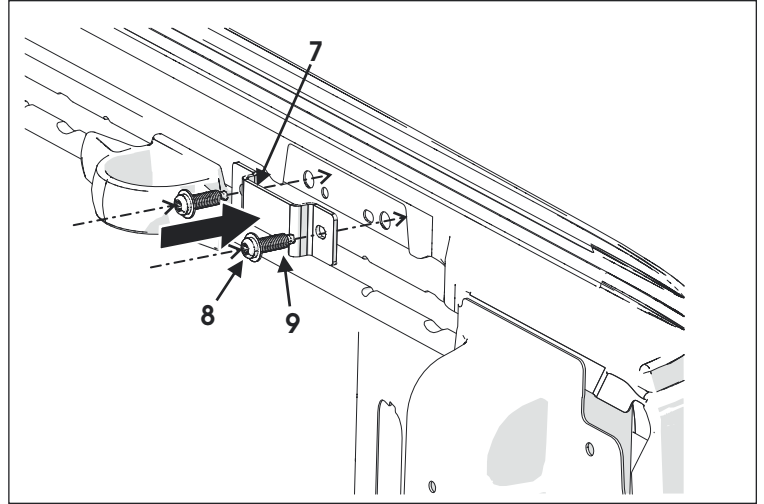
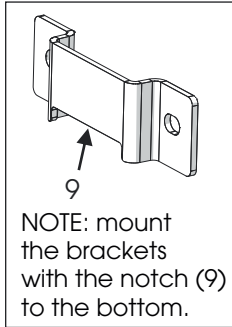


Use the well nut as a guide to insert the cab bracket into the bulkhead wall. Thread the cab bracket bolt (5) through the bracket and into the bulkhead. Snug the well nut, tighten the bolt to **17.5 N-m (155 in-lb)**.

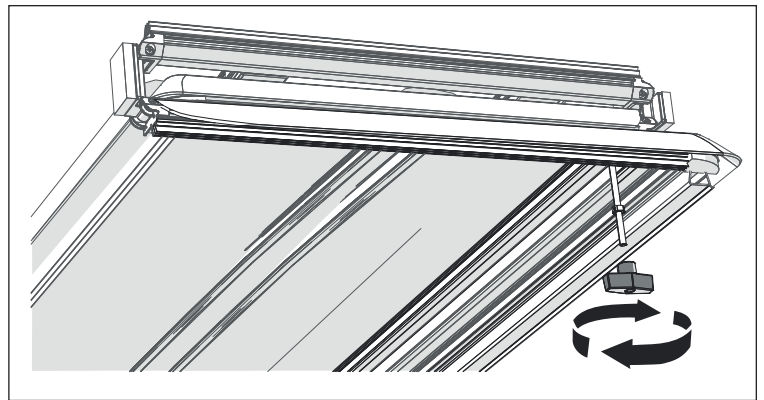


## Soft Folding Truck Bed Cover

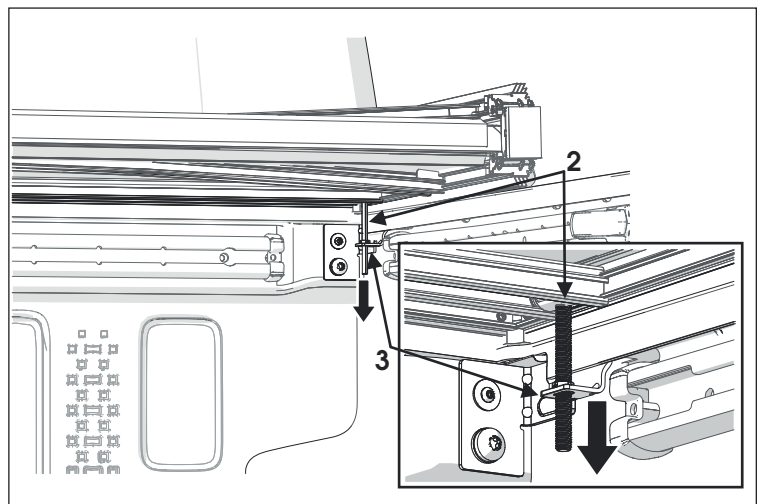
- 4 Rear/tailgate Brackets. Attach the rear/tailgate brackets (7) to the bed rail through the bed rail holes using the rear bracket bolts (8).  
**Tighten to 8 N-m (71 in-lb).**



5. Prior to placing the cover, remove both front clamp knobs.



6. Place the cover onto the truck bulkhead and bed rails, making sure to slide the cab clamp threaded rods (2) through the cab clamp brackets (3). Align both sides.

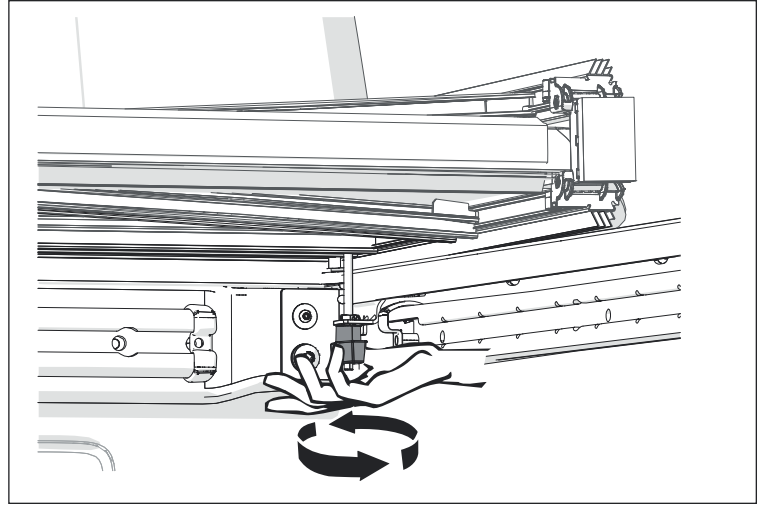




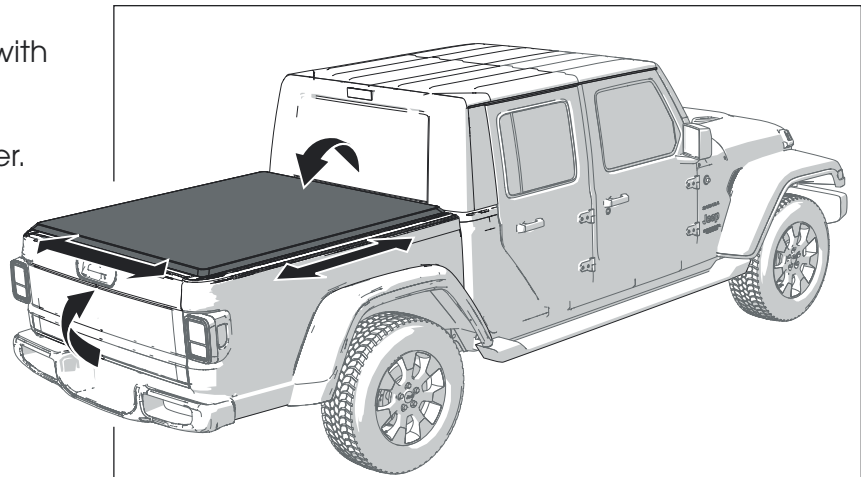
## Soft Folding Truck Bed Cover

7. Thread the cab clamp knobs back onto the threaded rods.

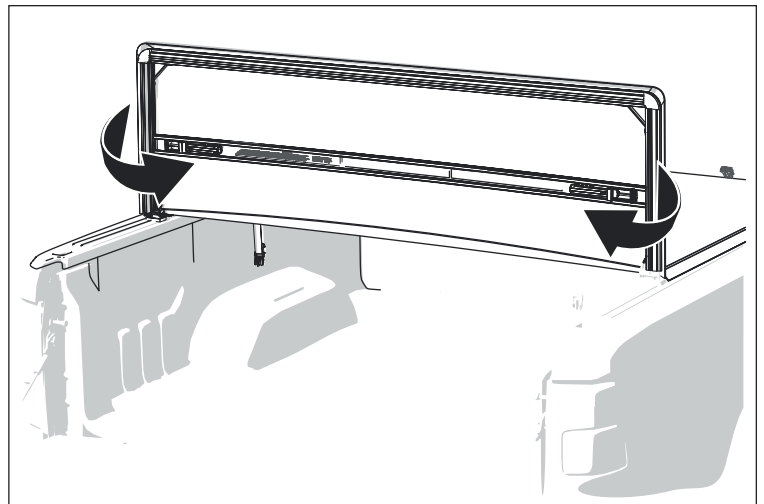
**Do Not use a wrench or over-tighten.  
Securely tighten both sides.**



8. Close the tailgate and unfold the cover. Check that the cover is parallel and square with the truck bed and bed rails. If not parallel or square, open the cover and loosen the cab clamps to reposition the cover.

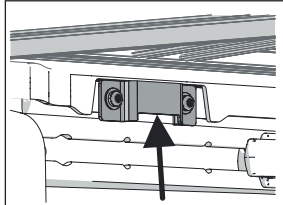


9. **NOTE:** When opening the cover, be sure to stow the tail clamps into the cover bow to prevent damage to the tarp when folded.

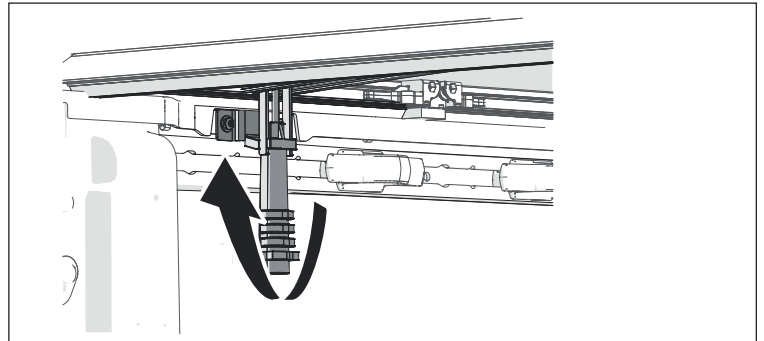
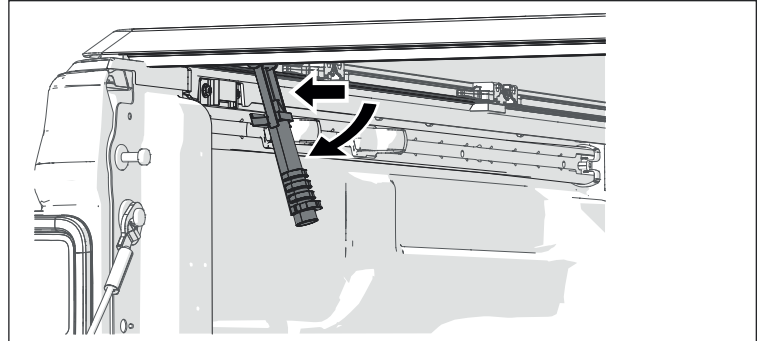


## Soft Folding Truck Bed Cover

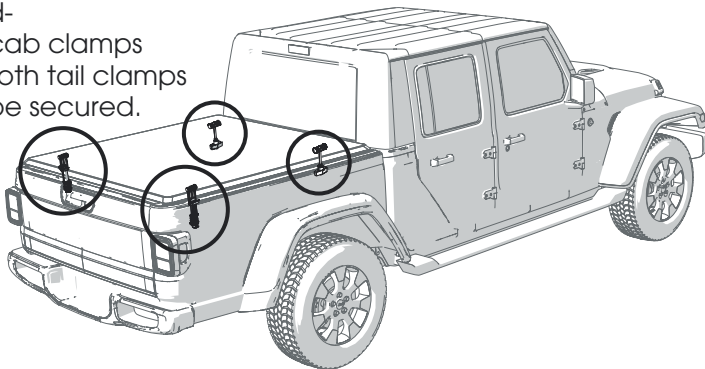
10. Open the tailgate, swing the tail clamps down from the stowed position and slide them toward the truck bed rail. Swing the clamps and pull down so the clamp jaw is tucked under the rear truck bed rail bracket.



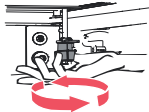
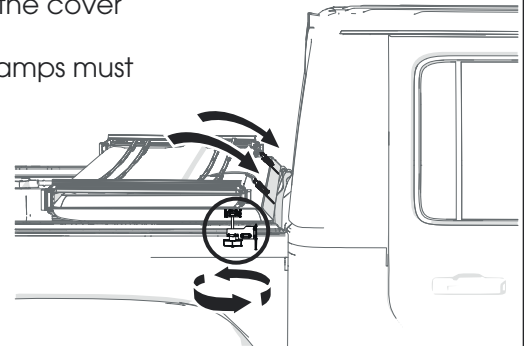
NOTE: the clamp jaw fits up into the bracket notch.



Driving with the cover closed- both cab clamps and both tail clamps must be secured.



Driving with the cover open- both cab clamps must be secured, and both straps must be latched.



### IMPORTANT

Re-tighten the front / cab clamps after the first week of driving the vehicle. Also periodically check the clamps to ensure they are secure.

### IMPORTANT NOTICE

While driving, cover must be completely flat and secure with all four clamps in the closed position or completely folded up (all panels) and secured at the cab.

**DO NOT DRIVE** with cover in partially opened position.

Remove any snow or foreign matter before folding



**Do NOT tow your vehicle from the rear with any bed cover on your truck.**

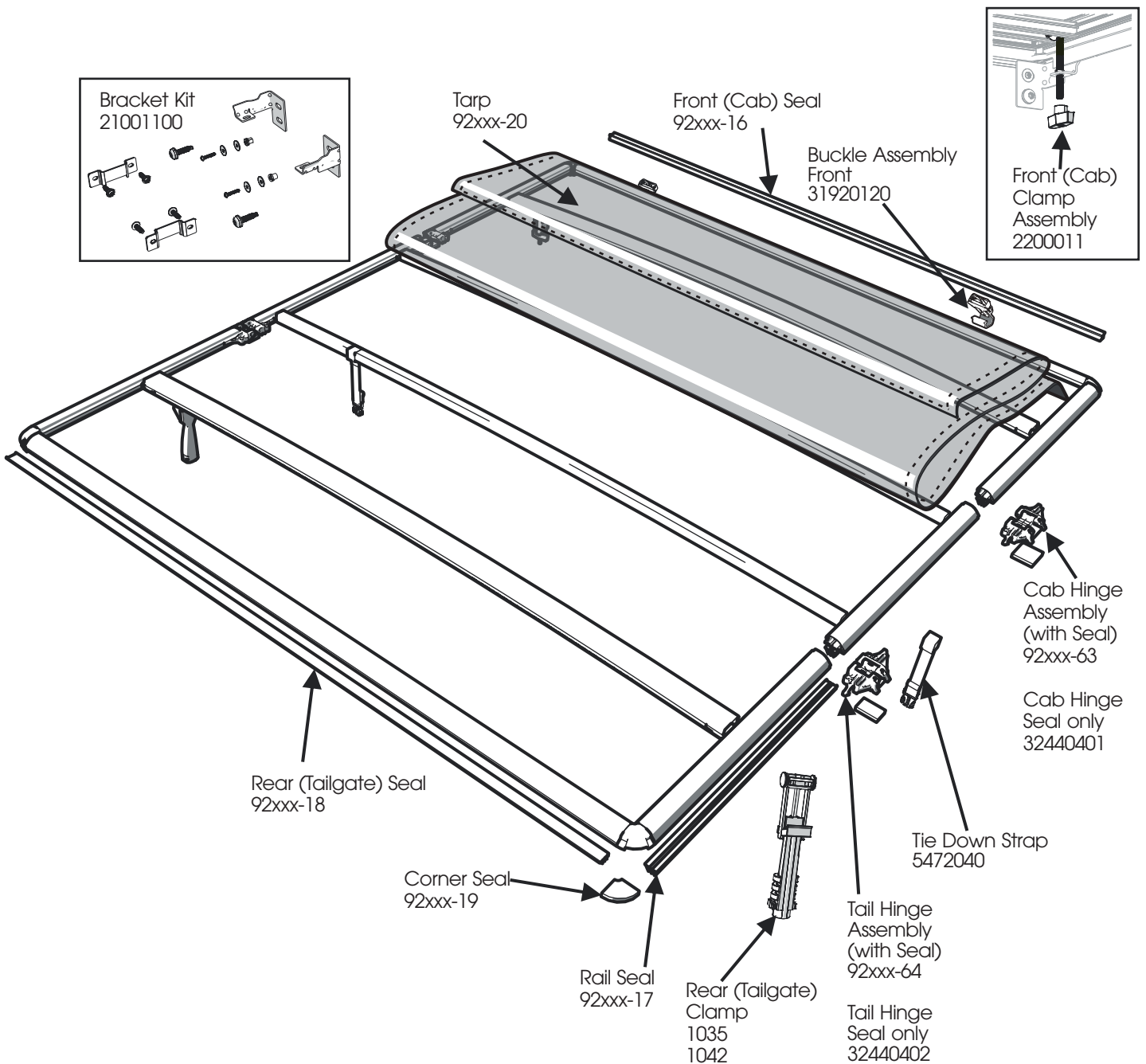




## Soft Folding Truck Bed Cover

To order replacement parts, it is best to contact our Customer Service Department for assistance, this will ensure that you will get the correct part for your vehicle application. This includes frame or bow sections. When ordering, the xxx represents the 3-digit suffix as referenced on the sales receipt or vehicle application list.

Specify the year, make, model, bed length, driver or passenger side.



Find out more about tonneau covers we have.