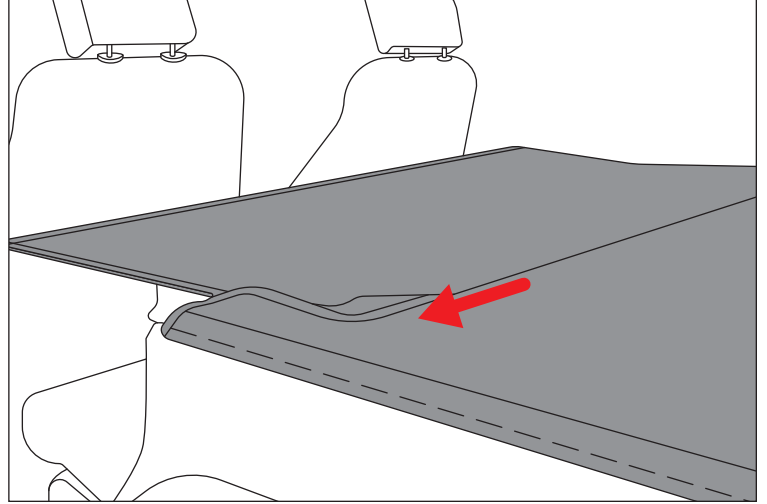
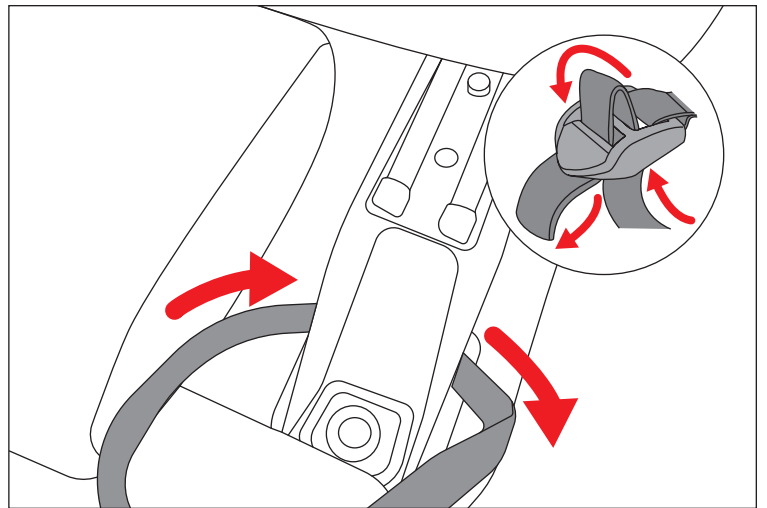


Soft Tonneau Cover Extension

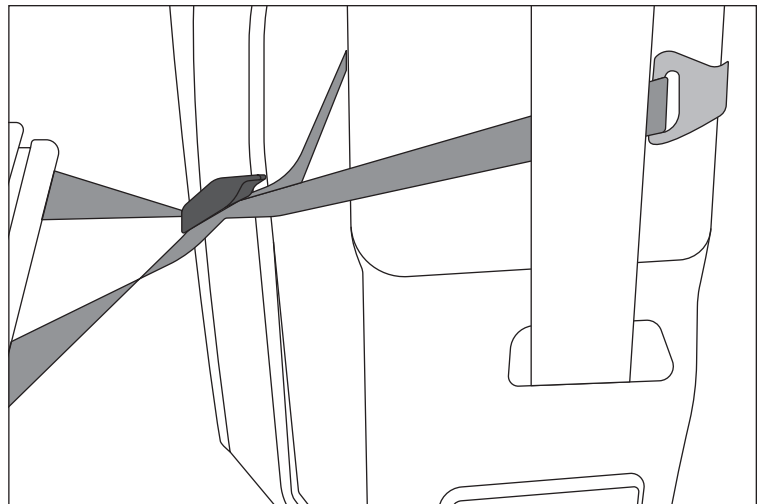
1. Fold down back seats and slide front seats fully forward. Zip tonneau extension to fully installed soft tonneau cover.



2. Wrap long straps on tonneau extension under seat brackets, thread each strap end through buckle, and tighten straps.



3. Slip side strap between seat belt and front pillar. Hook end of strap to front pillar so hook is level with tonneau extension. Pull end of strap to tighten.

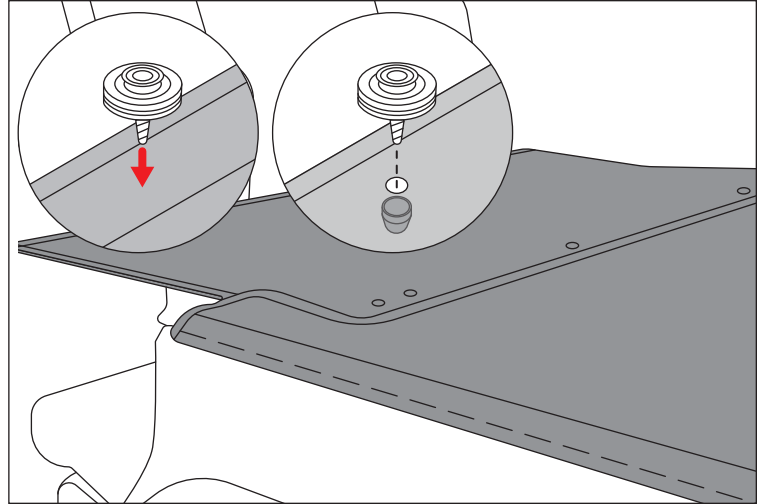


Soft Tonneau Cover Extension

4. Mark location of tonneau extension snaps on soft tonneau cover. Using supplied snap head screws, push sharp end of screw through tonneau cover from under side and through both layers of fabric. Once hole is formed, remove screw and reinstall from top side. Install supplied acorn nut on sharp end of snap head screw.

NOTICE

If installing with optional tonneau cover extension proceed to Step 5. Otherwise, installation is complete



5. Zip windbreaker to tonneau cover extension using zipper under flap of windbreaker.

