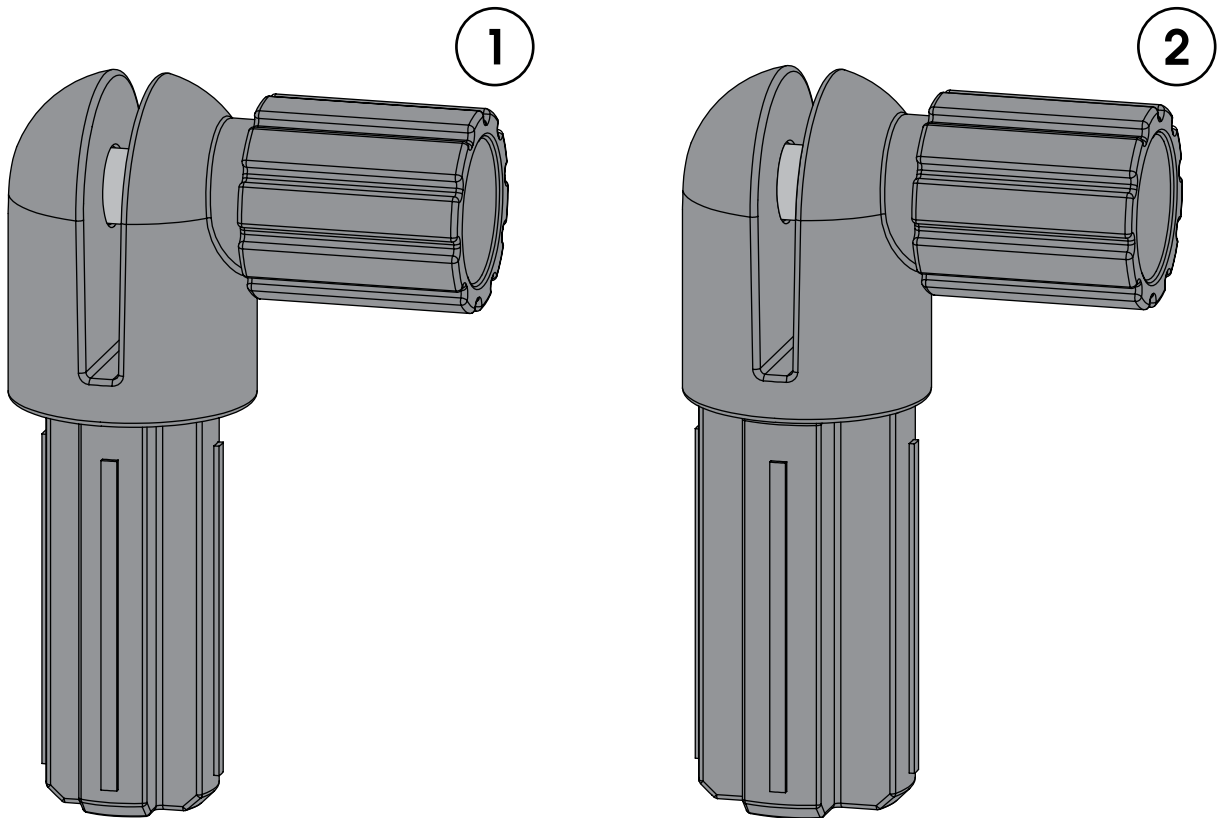




OMIX-ADA, Inc.

Part # 13510.10
13510.11
13510.12

Quick Release Bow Knuckle Kit



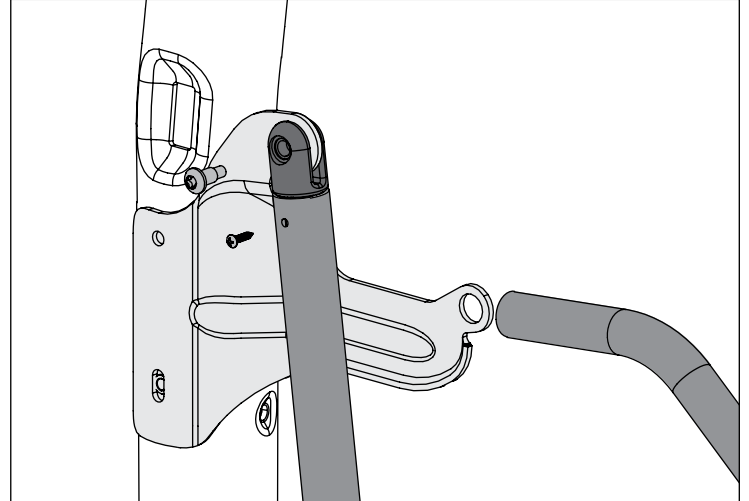
Components

1. Small Bow Knuckle	(2 - 13510.10) (0 - 13510.11) (4 - 13510.12)	2. Large Bow Knuckle	(2 - 13510.10) (2 - 13510.11) (0 - 13510.12)
----------------------	--	----------------------	--



Quick Release Bow Knuckle Kit

1. Lower soft top and detach factory bow knuckles from soft top frame and sport bar by removing pivot bolt and screw.

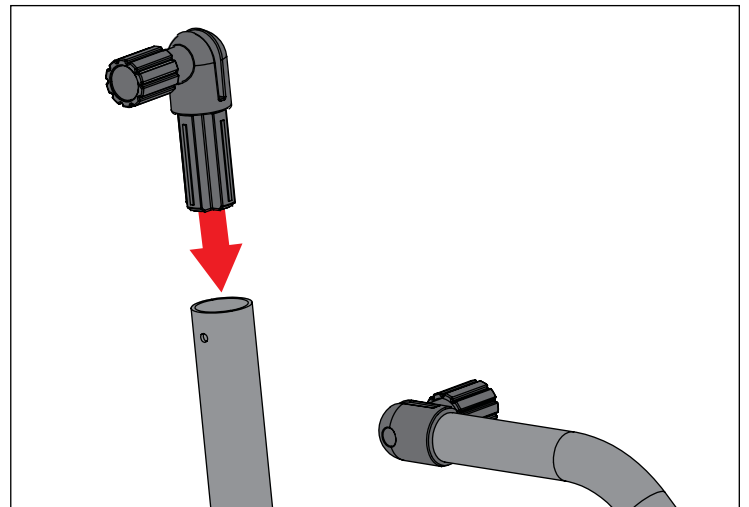


2. Insert Quick Release Bow Knuckles in open ends of soft top bows.

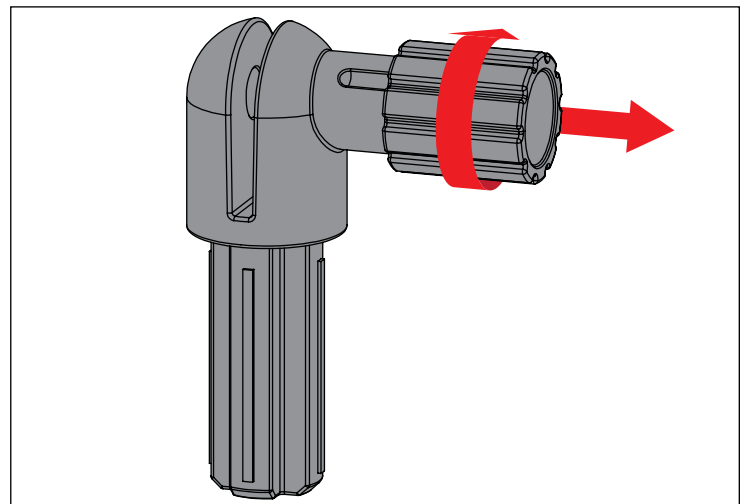
NOTICE

If installing kit #13510.10 ensure quick release knob on Large Bow Knuckles face outward and quick release knob on Small Bow Knuckles face inward.

Otherwise, ensure all quick release knobs face inward.



3. Pull quick release knob and turn clockwise to lock in open position.

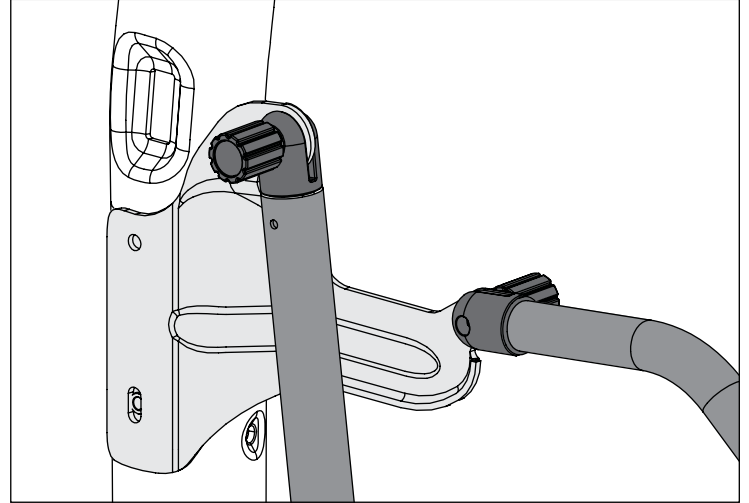




OMIX-ADA, Inc.

Quick Release Bow Knuckle Kit

4. Align bow knuckles with mounting bracket and attach them by pulling quick release knob slightly out and twisting counter-clockwise. Once in main groove let go of quick release knob.



5. Once all bow knuckles are attached to mounting brackets, secure Quick Release Bow Knuckles to soft tops with factory self tapping screws.

