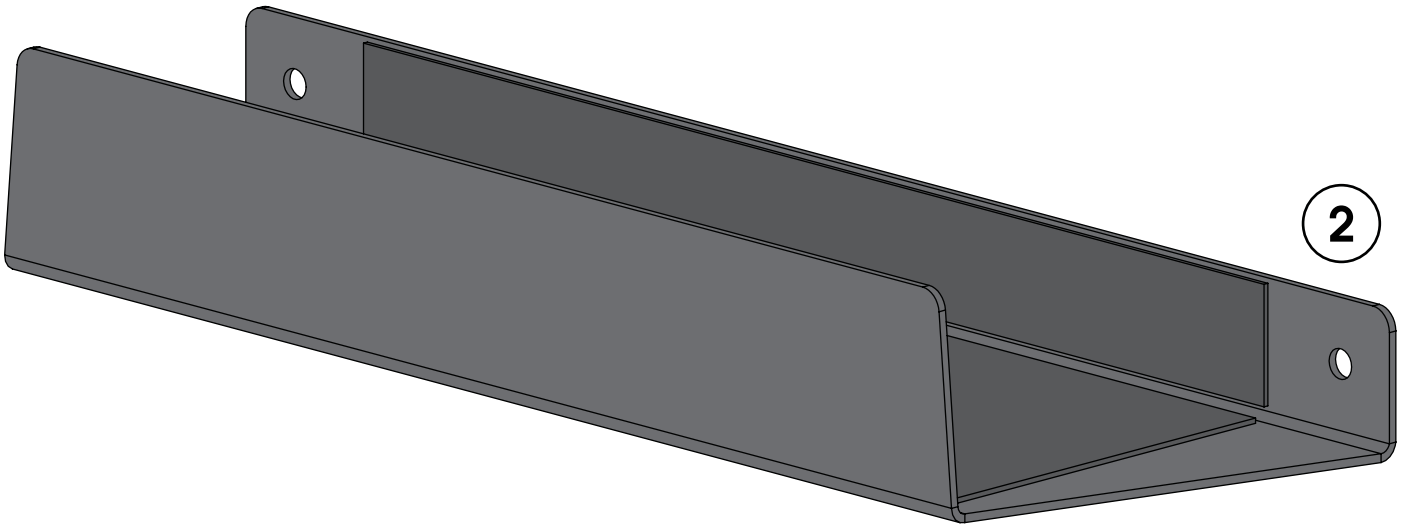
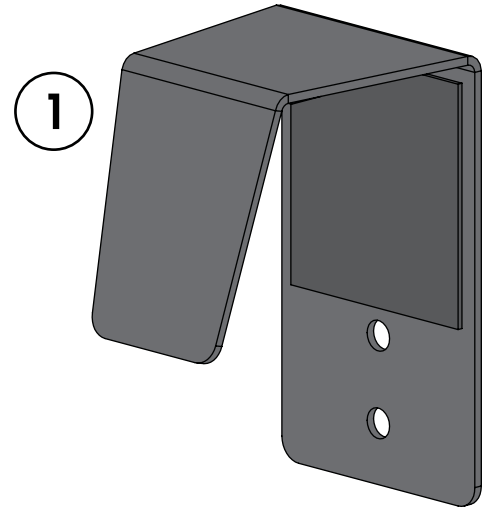




Wall Mount Freedom Panel Holder



CAUTION

This product is designed to be mounted to a wall that has studs spaced 16" on center. Due to differences in building materials, mounting hardware is not supplied. **Failure to secure product to studs can result in damage to product, property, or serious injury.**

Components

1. Retainer Bracket

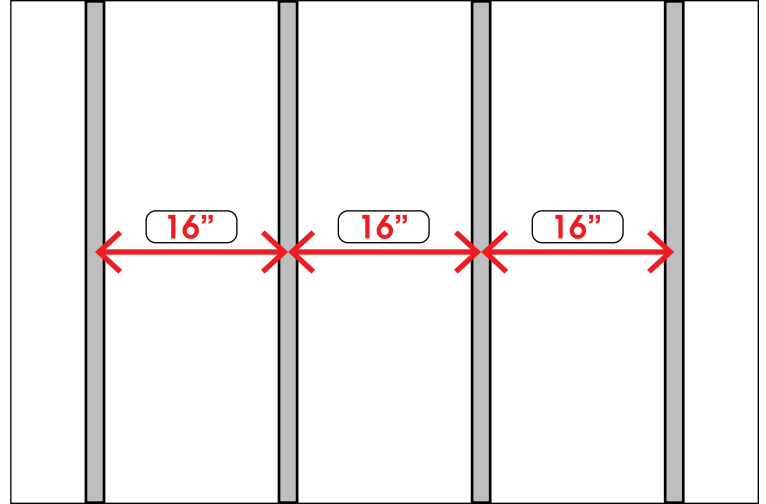
(2) 2. Lower Bracket

(2)

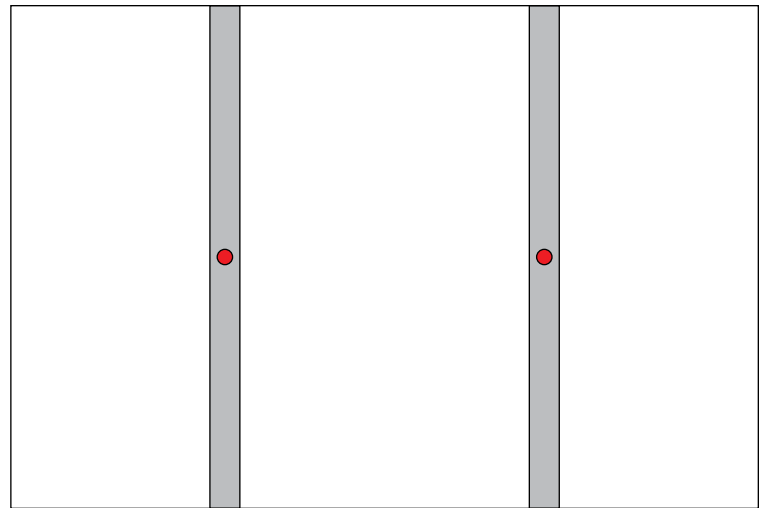


Wall Mount Freedom Panel Holder

1. Using a stud finder, locate four studs in a row. For proper mounting, studs should be 16" on center.

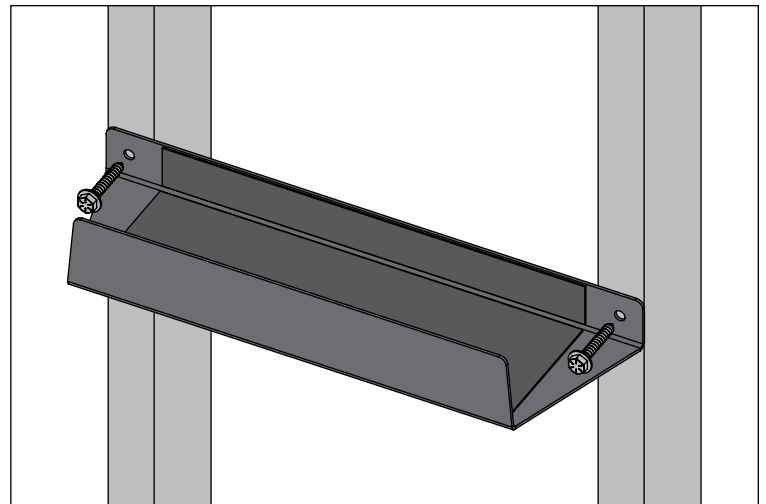


2. Determine appropriate mounting position. Using Lower Bracket for reference, mark and drill one 1/4" pilot hole in the center of each stud. Pilot hole must go 2" into stud.



3. Determine proper length of 5/16" lag bolts for your application. Bolts must go 2" into stud.

4. Using 5/16" lag bolt and 5/16" flat washer, attach Lower Brackets to wall.

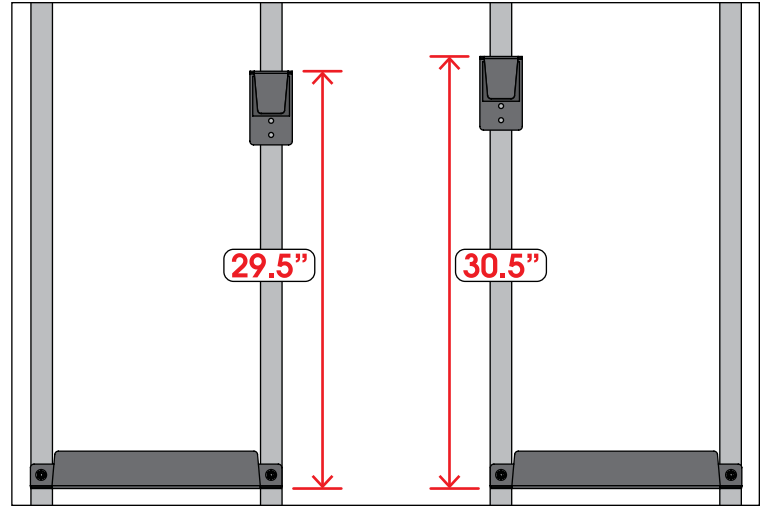




Wall Mount Freedom Panel Holder

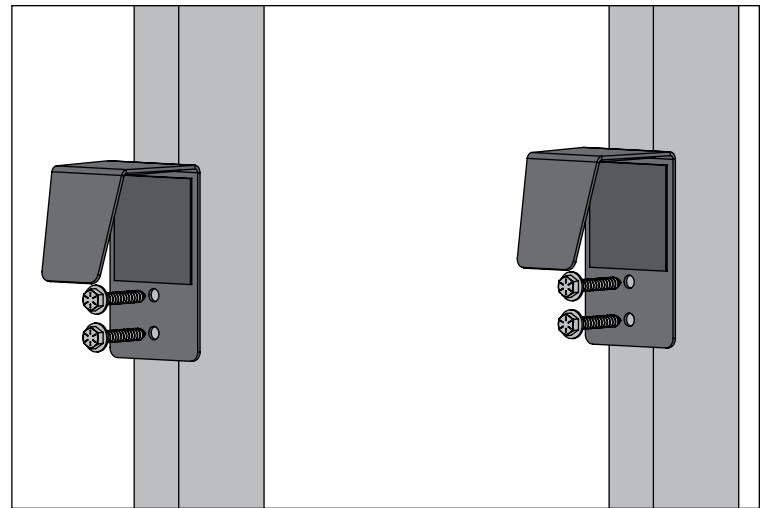
5. Mark a line 29.5" above bottom surface of Lower Bracket on second stud from left. Align top of Retainer Bracket with line and mark mounting holes.

6. Mark a line 30.5" above bottom surface of Lower Bracket on third stud from left. Align top of Retainer Bracket with line and mark mounting holes.



7. Drill 1/4" pilot holes where marked. Pilot hole must go 2" into stud.

8. Using 5/16" lag bolts and 5/16" flat washers, attach Retainer Brackets to wall.



9. Slide freedom panels in holder as shown.

