



Spartan Grille (JK)

CONTENTS:

- Spartan Grille Shell with pre-installed 8mm mesh insert.
- Weather Stripping

TOOLS NEEDED:

- Utility knife
- Flathead Screw Driver



NOTICE

Special care is required to maintain the matte finish. Follow the following guidelines to keep your grille looking its best:

- Hand wash only with soft wash glove and mild cleaning agent meant for matte paint.
- Microfiber cleaning cloths can be used for surface clean up.
- Do not use detail spray, ArmorAll, wax or and products made for normal paint. Use only products specifically desgined for matte finish paint.
- Do not use paper towels, cloth, or terry cloth. Doing so could create a permanent shiny spot that cannot be removed.
- Do not use commercial car washes (both brushed and touchless).

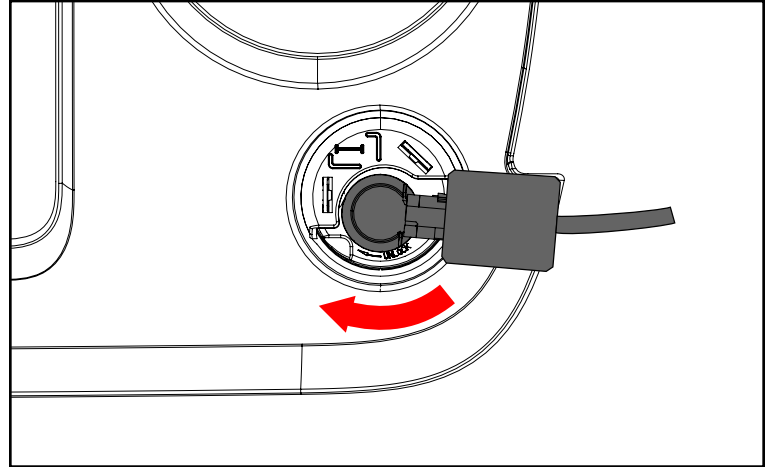
The following steps should be taken when painting the grille:

1. Lightly sand grille with 320 grit sandpaper.
2. Remove all surface contaminants from grille using an approved grease and wax remover.
3. Wipe grille with a tack rag to remove any dust or dirt.
4. Apply two even coats of adhesion promoter to grille. Allow recommended flash time between coats. Let second coat dry for 15 minutes before primer application.
5. Apply an even coat of primer to grille surface (a high build primer is recommended).
6. Paint grille with an automotive grade paint (a flex additive must be added to paint).

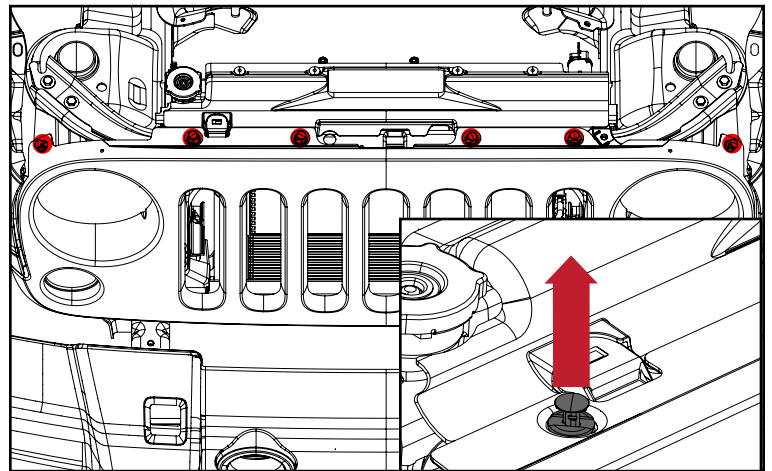


Spartan Grille (JK)

1. Disconnect factory turn signal from behind the grille, rotate factory turn signal bulb assembly down and towards middle of vehicle. Pull the bulb assembly out of light housing.

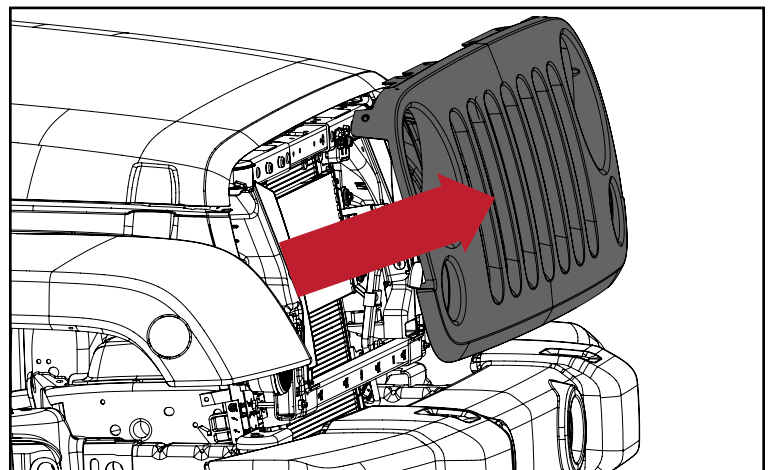


2. Raise hood and remove (6) plastic fasteners on top of grille. First pull up on center pin, then pull up on entire plastic retainer assembly. (These will be reused in later steps)



3. Pull bottom of grille away from vehicle to disengage metal clips on bottom rear of grille. Remove factory grille from vehicle.

Note: It may be necessary to remove winch or other bumper mounted accessories prior to removing factory grille.

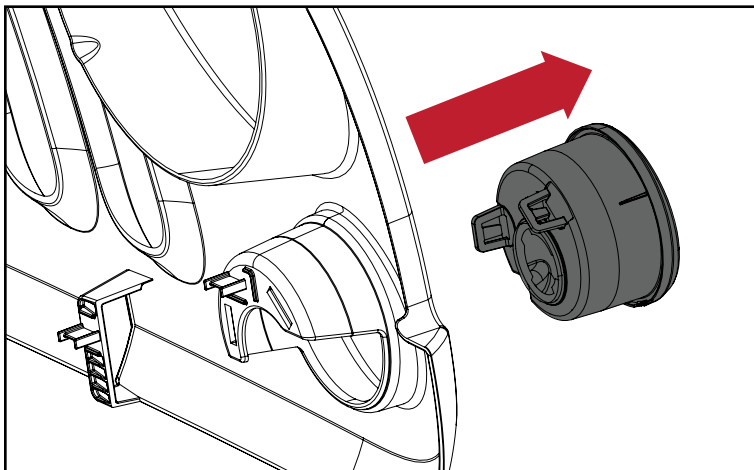




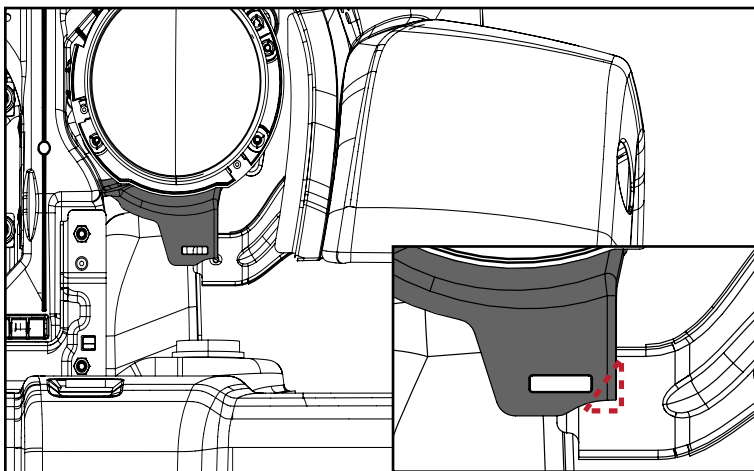
OMIX-ADA, Inc.

Spartan Grille (JK)

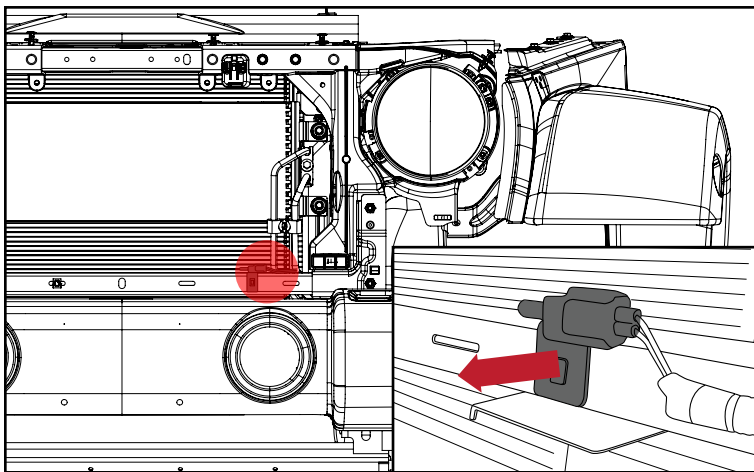
4. Compress tabs on turn signal housing and remove housing from factory grille. Repeat for opposite side.



5. Trim outer bottom corner on plastic light housing. Repeat on opposite side.



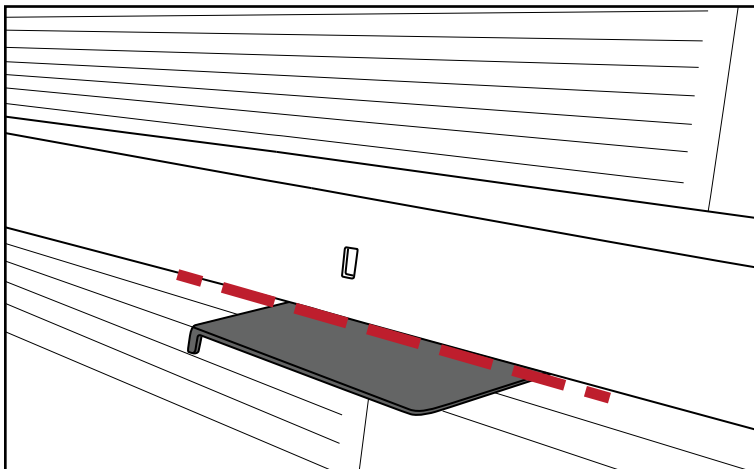
6. Remove ambient air temperature sensor from radiator support by pulling rectangular center pin. Move sensor and connected wires out of the way temporarily.



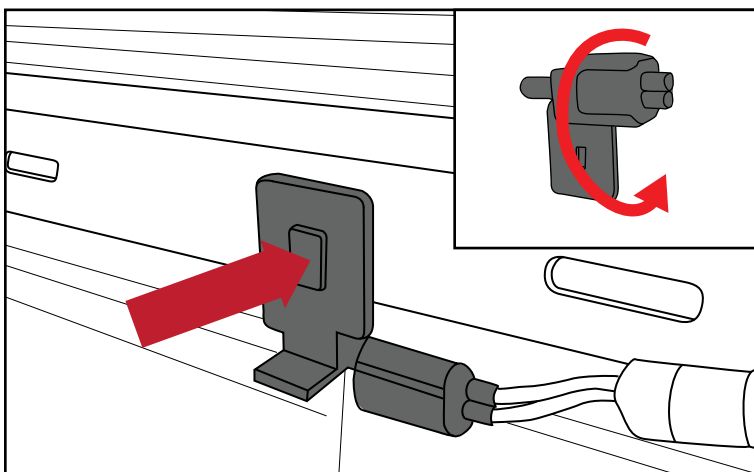


Spartan Grille (JK)

7. If present, cut plastic liner, located immediately below sensor location, flush to lower radiator support.

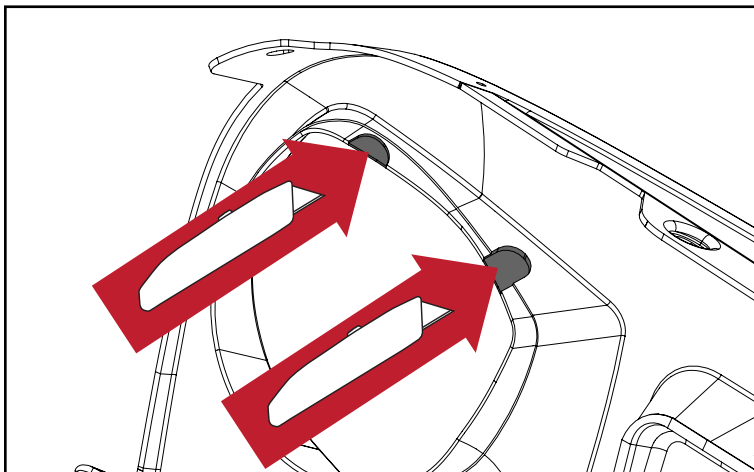


8. Flip sensor 180° from original position and reinstall using rectangular center pin.



9. If using Rugged Ridge headlight euro-guards, cut out the highlighted areas.

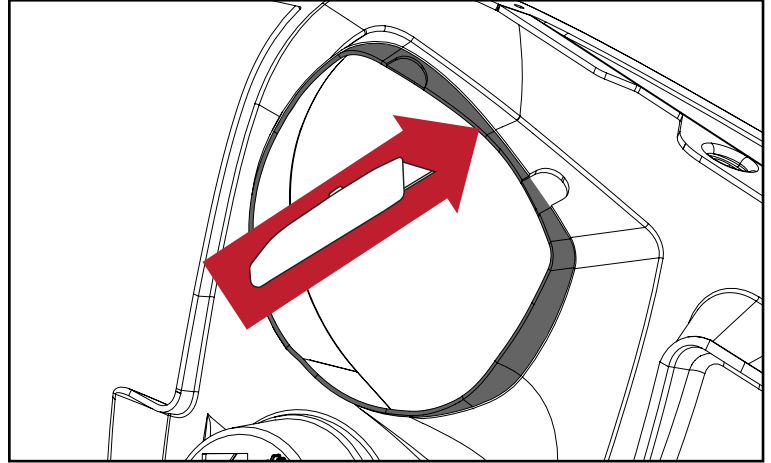
Note: Additional trimming may be needed for best look.



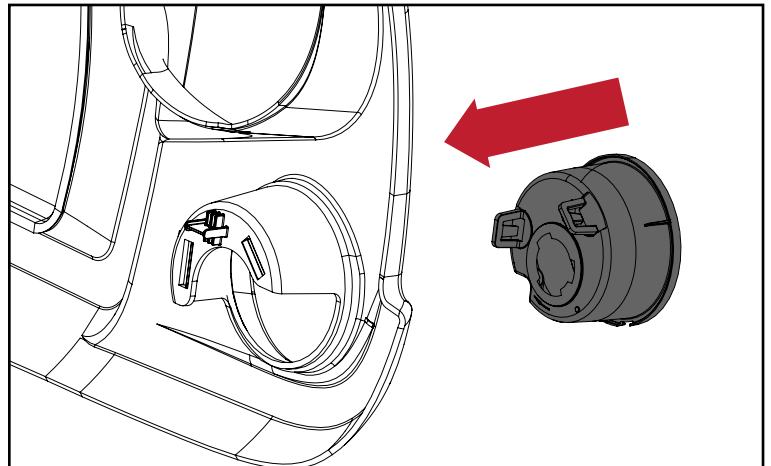


Spartan Grille (JK)

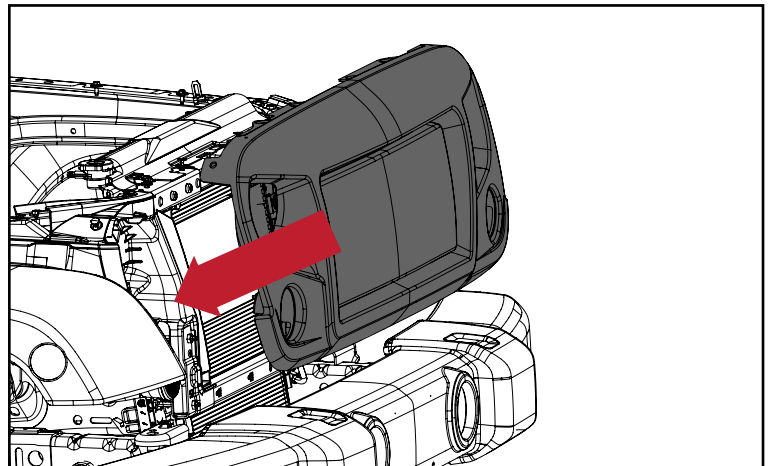
10. If using LED headlights, trimming of the highlighted area may be required for proper fitment.



11. Install factory turn signal housing into Spartan Grille. Repeat for opposite side.



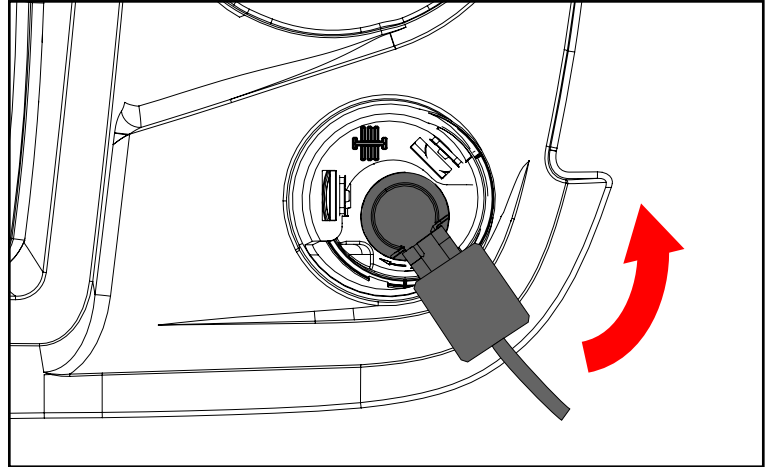
12. Install Spartan Grille using factory plastic retainers removed in step 2.



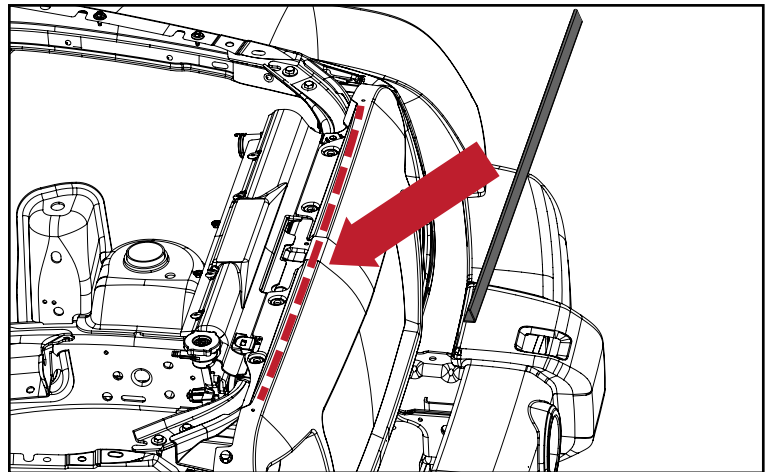


Spartan Grille (JK)

13. Install turn signal bulb assembly into light housing and rotate assembly up and towards outside of the vehicle.



14. Remove backing from tape on bottom of weather stripping and install onto top of grille. Use firm pressure to adhere the weather stripping securely.





Spartan Grille (JK)

ACCESSORIES:

Ask your retailer about additional grille inserts for your Spartan Grille!



PART NUMBER - DESCRIPTION

- 12034.11 - 20in LED Grille Insert
- 12034.13 - Dual 3.5in Circular LED Insert
- 12034.21 - Grille Insert, Star
- 12034.22 - Grille Insert, American Flag
- 12034.24 - Grille Insert, Monster Teeth