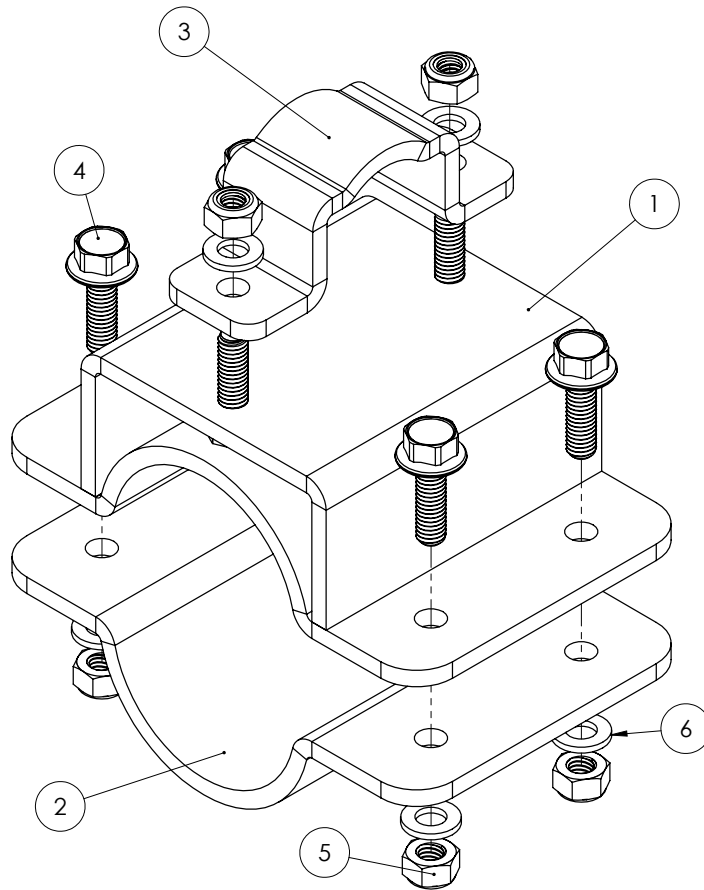




Crossbar Adapters

Contents:

1. Upper Clamp Bracket	(4)	4. M6x20 Flange Bolts	(16)
2. Lower Clamp Bracket	(4)	5. M6 Nylon Lock Nuts	(24)
3. Crossbar Bracket	(4)	6. M6 Flat Washer	(24)



NOTICE

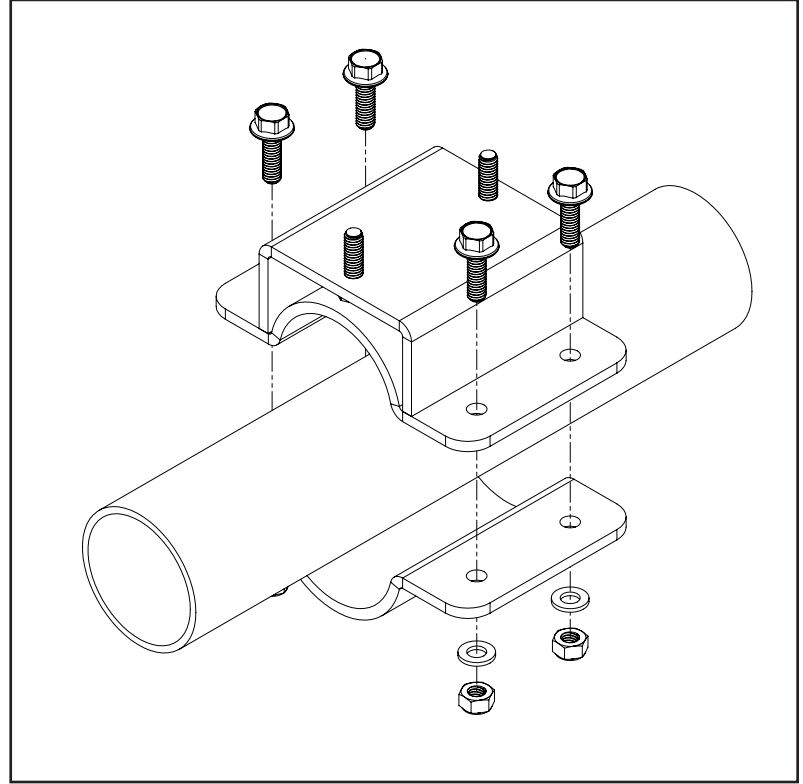
Crossbar adapters are designed to work Thule® and Yakima® accessories and mount to Rugged Ridge® 11703.01, 11703.02 or other 2" or 50mm tubing.

Read all instructions thoroughly before installation.

Crossbar Adapters

1. Use the supplied M6 hardware to attach the upper and lower clamp brackets to the tube.

Note: It is recommended to leave fasteners loose until desired position is chosen based on aftermarket accessories to be installed.



2. Using the supplied M6 hardware, attach the crossbar bracket over the chosen aftermarket crossbar. Tighten until crossbars are secure.

Note: It is recommended to leave fasteners loose until desired position is chosen based on aftermarket accessories to be installed.

