

## Spartan Nerf Step, JL 2 Door




---

### Components

- |                             |     |                     |     |
|-----------------------------|-----|---------------------|-----|
| 1. Driver Side Nerf-step    | (1) | 3. Mounting Bracket | (4) |
| 2. Passenger Side Nerf-step | (1) |                     |     |

---

### Hardware

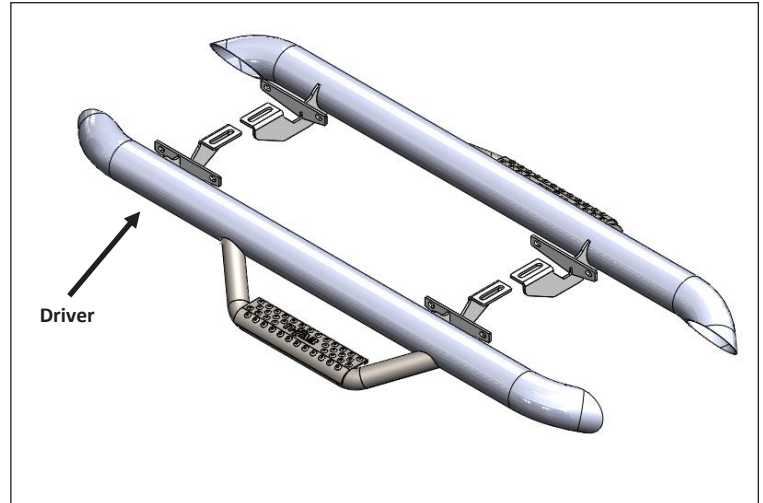
- |                          |     |                           |     |
|--------------------------|-----|---------------------------|-----|
| 1. M10 Carriage Bolt     | (8) | 4. Short M8 Hex Head Bolt | (8) |
| 2. M10 Flange Nut        | (8) | 5. M8 Flange Nut          | (8) |
| 3. Long M8 Hex Head Bolt | (4) |                           |     |

**ATTN: STATE OF CALIFORNIA CONSUMERS**

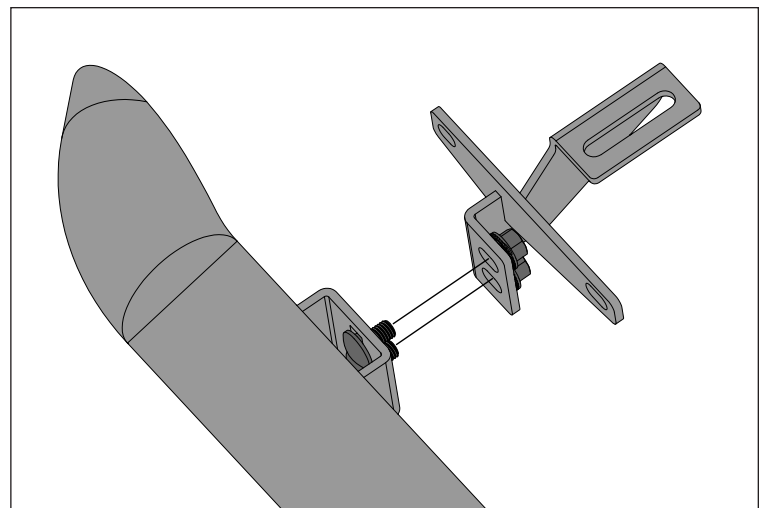
**⚠ WARNING: Cancer and Reproductive Harm**

## Spartan Nerf Step, JL 2 Door

1. Identify driver and passenger side Nerf-step.



2. Using M10 Carriage Bolt and M10 Flanged Nut, loosely attached mounting brackets to Nerf-step.



3. Starting with the passenger side, carefully raise the Mounting Bracket up to the pinch weld of the body and align the pinch weld tabs with the 6mm mounting holes. Loosely install the (4) Short M8 Hex Head and Flange Nuts.

4. Attach Mounting Bracket to underbody mounts with supplied Long M8 Hex Head Bolt.

5. Once the Nerf-step is properly aligned, tighten all hardware.

6. Repeat Steps 1-5 for Driver side.

