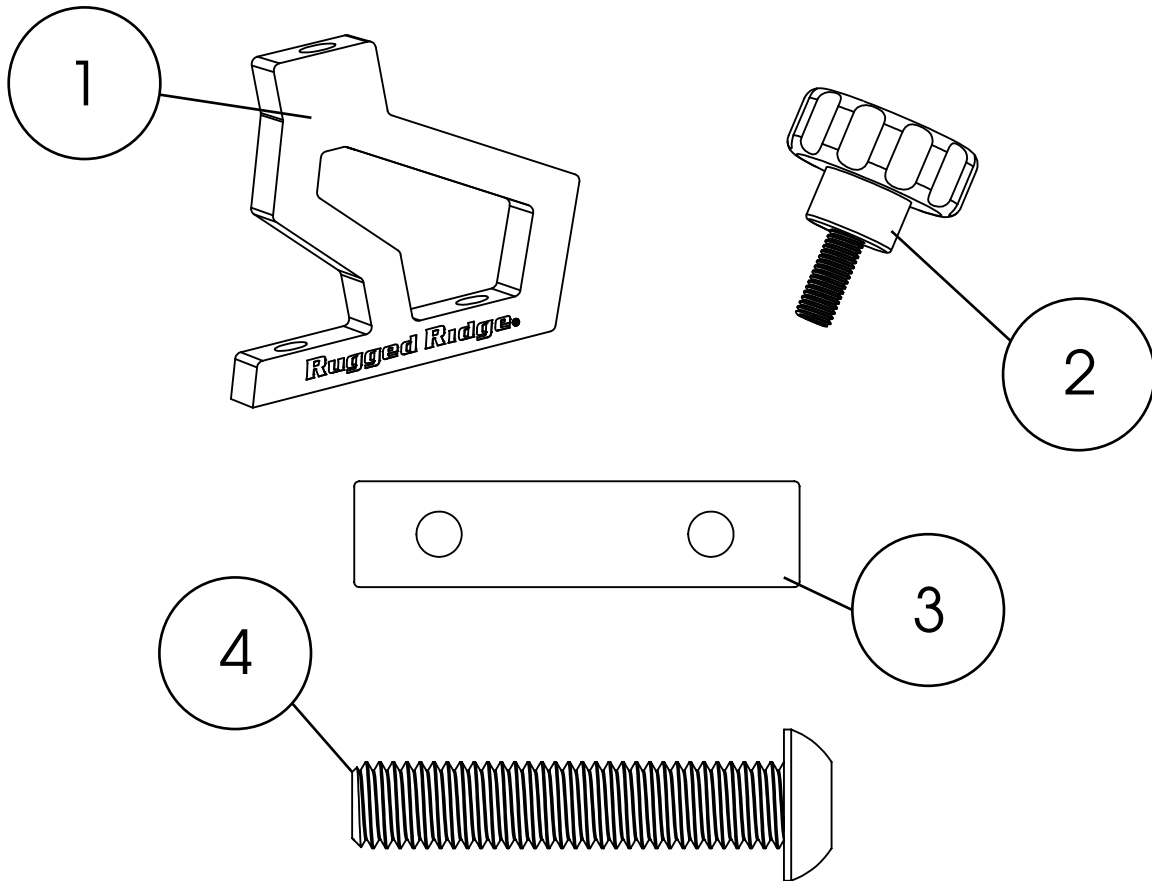


Offroad Jack Hood Mounting Bracket; 07-17 JK



Components

1. Hood Bracket
2. Thumb Screw

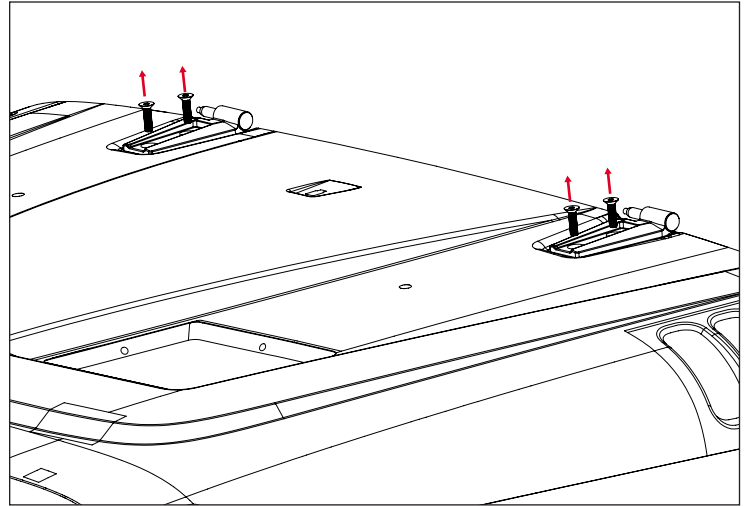
(2)
(2)

3. Gasket
4. M8 Button Head Bolt

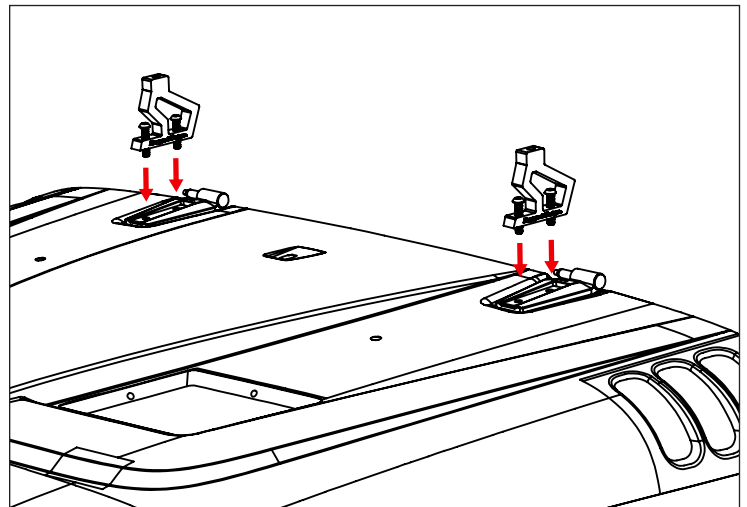
(2)
(4)

Offroad Jack Hood Mounting Bracket; 07-17 JK

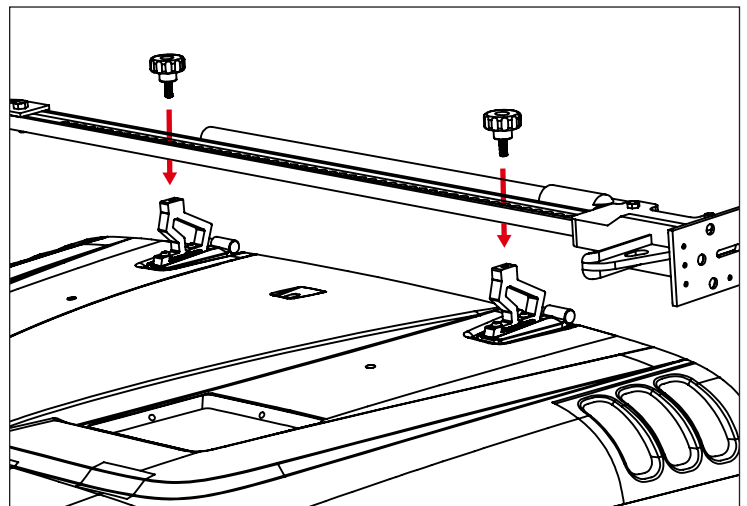
1. Remove OE hood hinge bolts.



2. Loosely attach Hood Brackets to hood hinge using supplied M8 button head bolts.



3. Align Offroad Jack slotted holes to Hood Brackets and affix using supplied Thumb Screws.



Offroad Jack Hood Mounting Bracket; 07-17 JK

4. Tighten M8 button head bolts.

