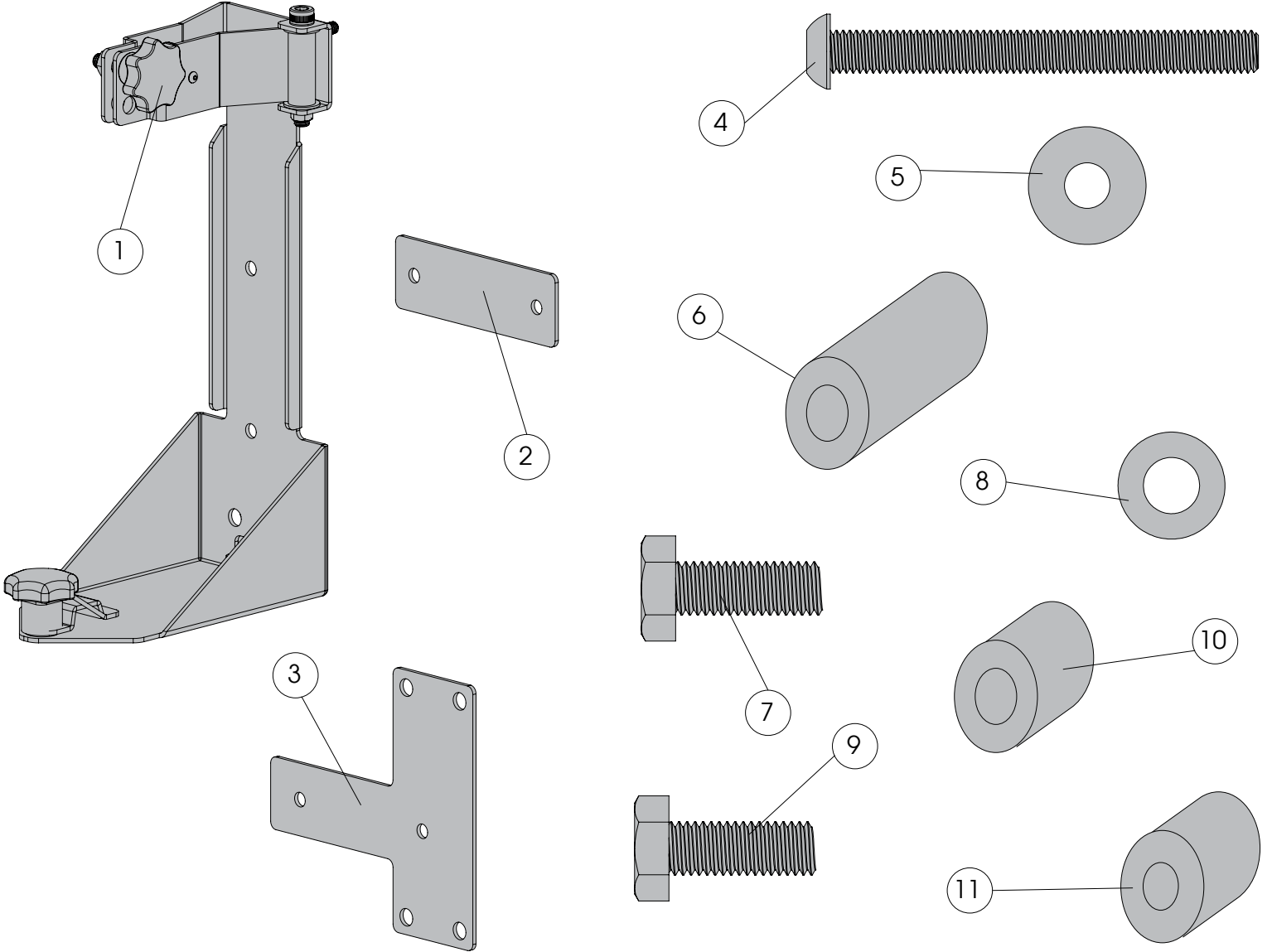




JK Off-Road Jack Mount Bracket



- 1. Jack Mount
- 2. Upper Mounting Plate
- 3. Lower Mounting Plate
- 4. M8 Bolt
- 5. M8 Washer
- 6. Spacer

Components

- (2) 7. M10 Hex Head Bolt (2)
- (1) 8. M10 Washer (2)
- (1) **For use with Hard Top:**
- (4) 9. M10 Hex Bolt (2)
- (12) 10. M8 Spacer (1)
- (4) 11. M10 Spacer (2)

For use with Rugged Ridge Spartacus Tire Carrier, High Lift Jack Mount Spacer Kit (Part 11586.03) is required

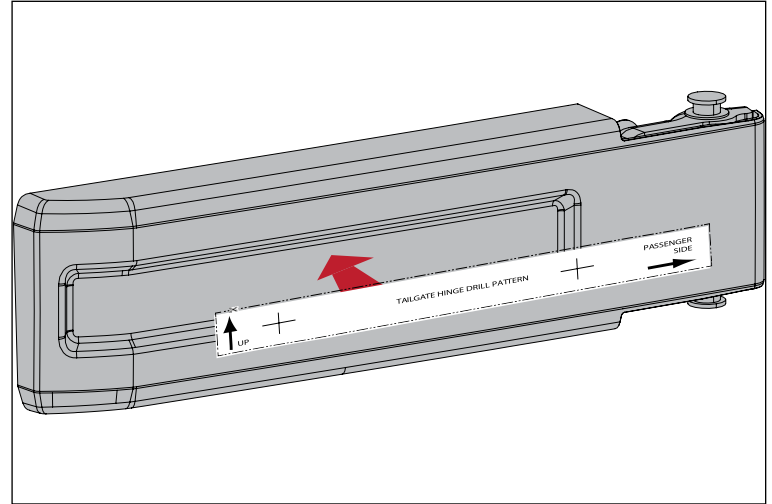


JK Off-Road Jack Mount Bracket

NOTICE Ensure only one tailgate hinge bolt is removed at a time. This will ensure tailgate remains supported.

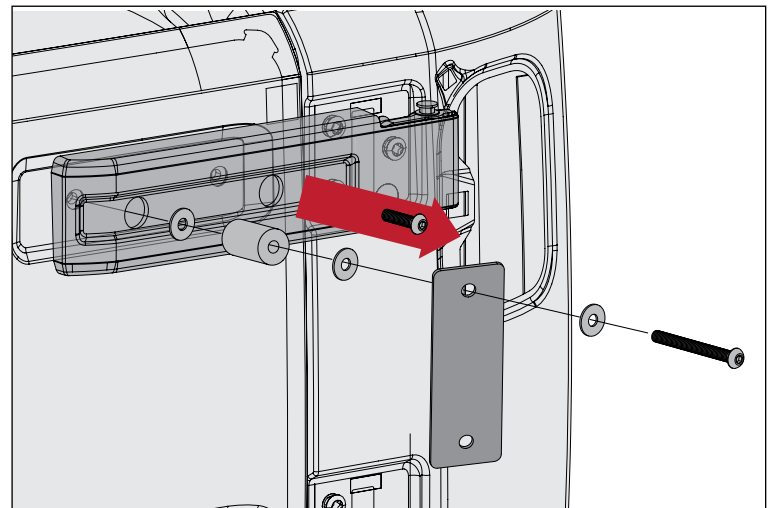
1. Remove tailgate hinge covers using a flat head screwdriver on hinge side of cover. Once released, tailgate hinge cover will slide off to left.

2. Using supplied template on page 4, drill clearance holes in top and bottom tailgate hinge covers for use with supplied spacers.

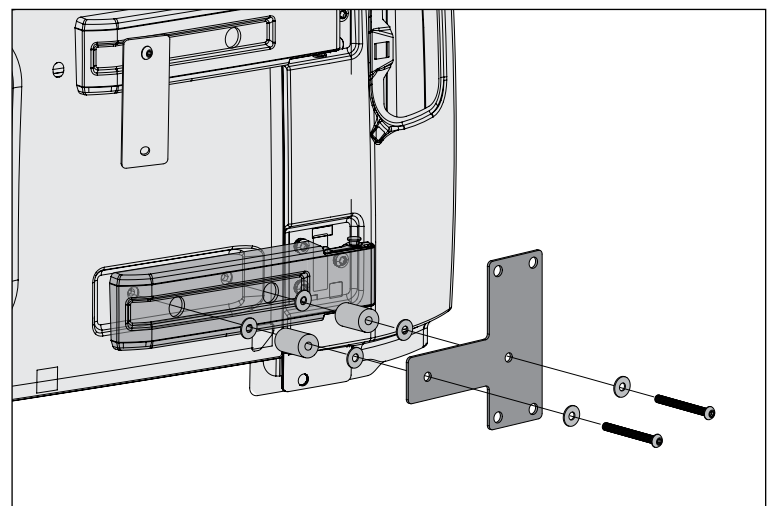


3. Remove upper left tailgate hinge bolt. Use M8 hardware and spacer to secure Upper Mounting Plate to left hole of upper tailgate hinge. Do not fully tighten.

Next, remove the upper right tailgate hinge bolt.



4. Install Lower Mounting Plate by first removing two lower tailgate hinge bolts. Attach lower hinge cover and use M8 hardware and spacers to secure Lower Mounting Plate to tailgate.

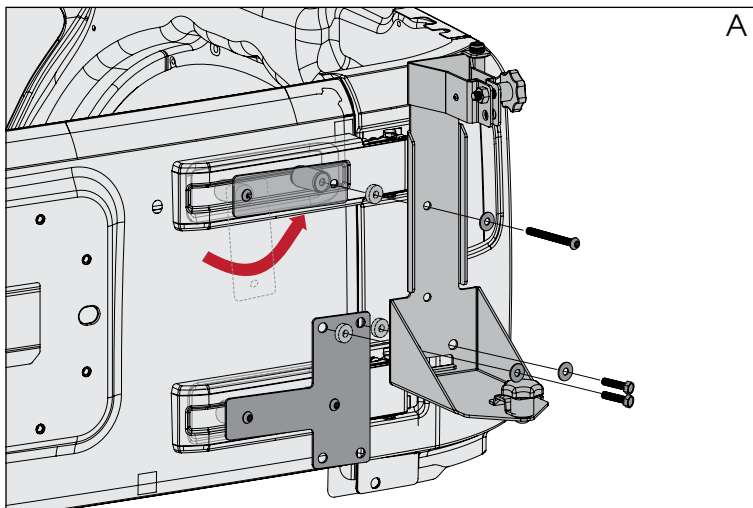




JK Off-Road Jack Mount Bracket

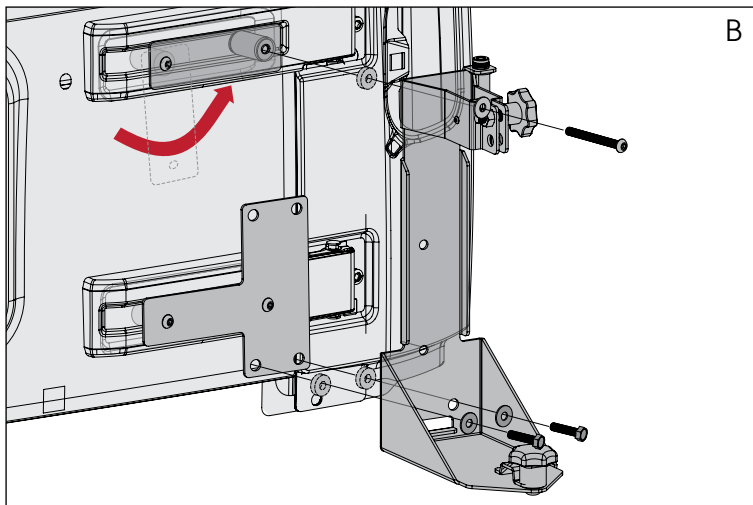
4. If installing on a vehicle **with a Rugged Ridge tire carrier (A)**, secure Jack Mount to lower mounting plate's top two holes using M10 hardware. If using with Hard Top, add M10 spacer between Mounting Plate and Jack Mount.

Rotate Upper Mounting Plate into its horizontal position behind Jack Mount and attach with M8 hardware. For use with Hard Top, add M8 spacer between Upper Mounting Plate and Jack Mount.



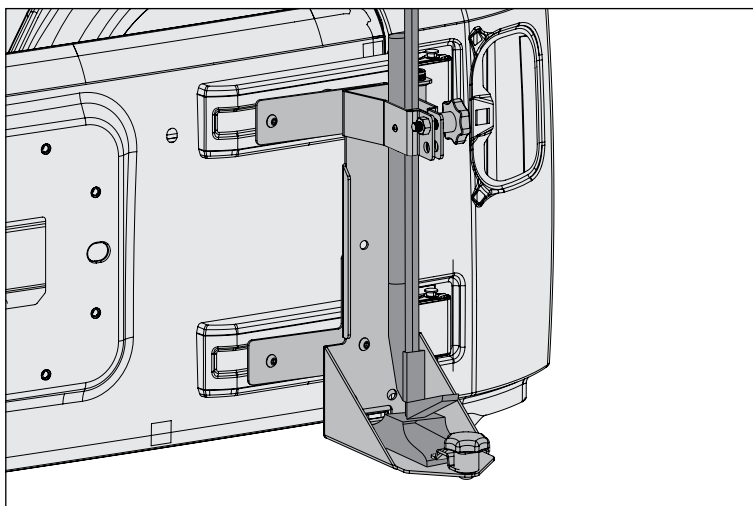
If no Rugged Ridge tire carrier is present, rotate Upper Mounting Plate into horizontal position and tighten upper left tailgate hinge bolt to hold in place. If using with Hard Top, add M8 spacer between Mounting Plate and Jack Mount.

Install final M10 bolts into bottom holes in mounting bracket as shown. If using with Hard Top, add M10 spacer between Mounting Plate and Jack Mount.



8. Tighten all hardware.

9. To install Off Road Jack, use bottom knob to clamp base of jack into position ensuring rear of base is under tab in mounting bracket. Close top swing arm making sure rubber pads grip jack's vertical beam.





JK Off-Road Jack Mount Bracket

