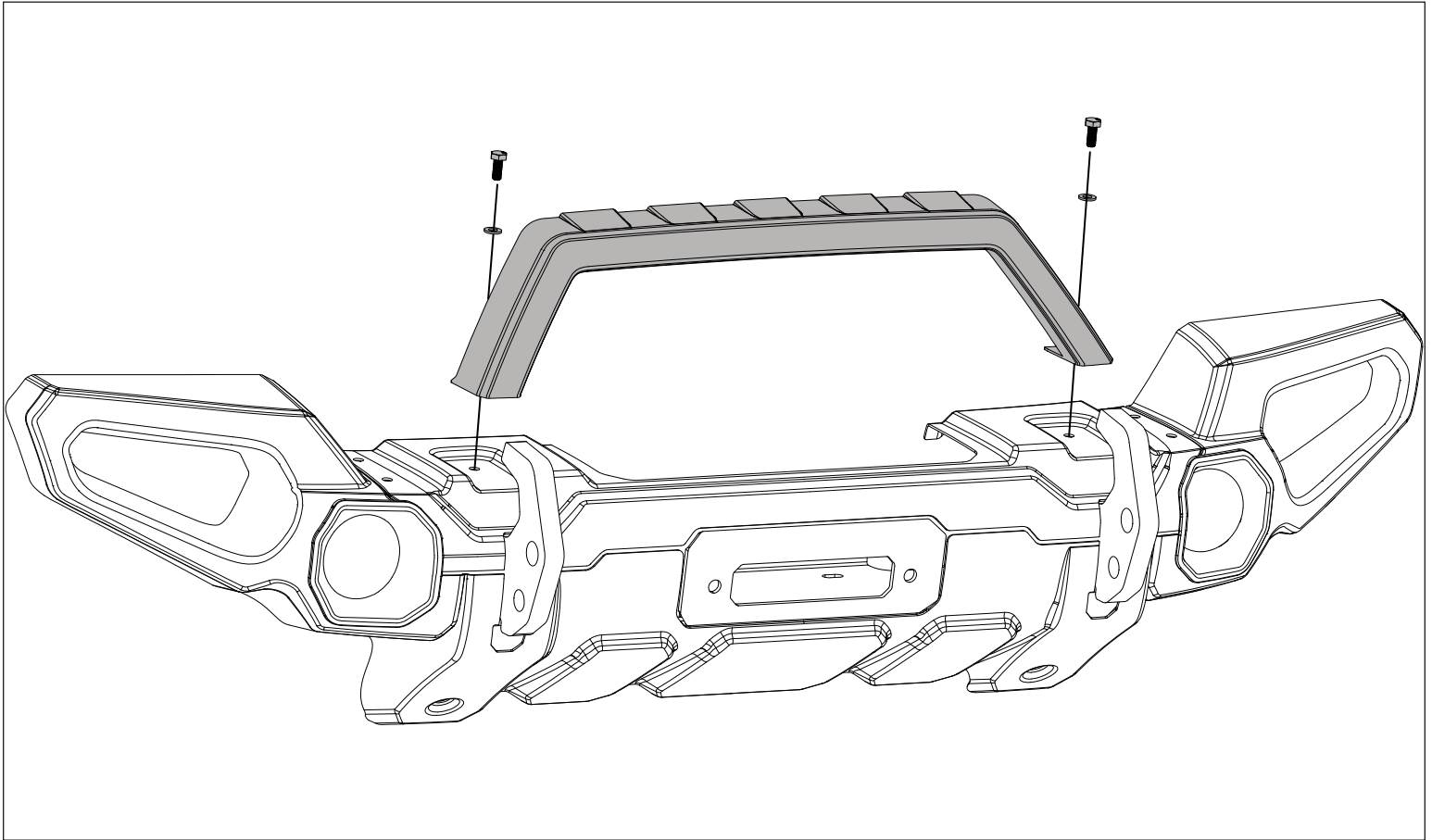


## Venator Front Bumper, Override; JL and JT



1. Using M10 Hex Head Bolts and Washers supplied with Venator Bumper, attach Override to Bumper Shell - Top Center.