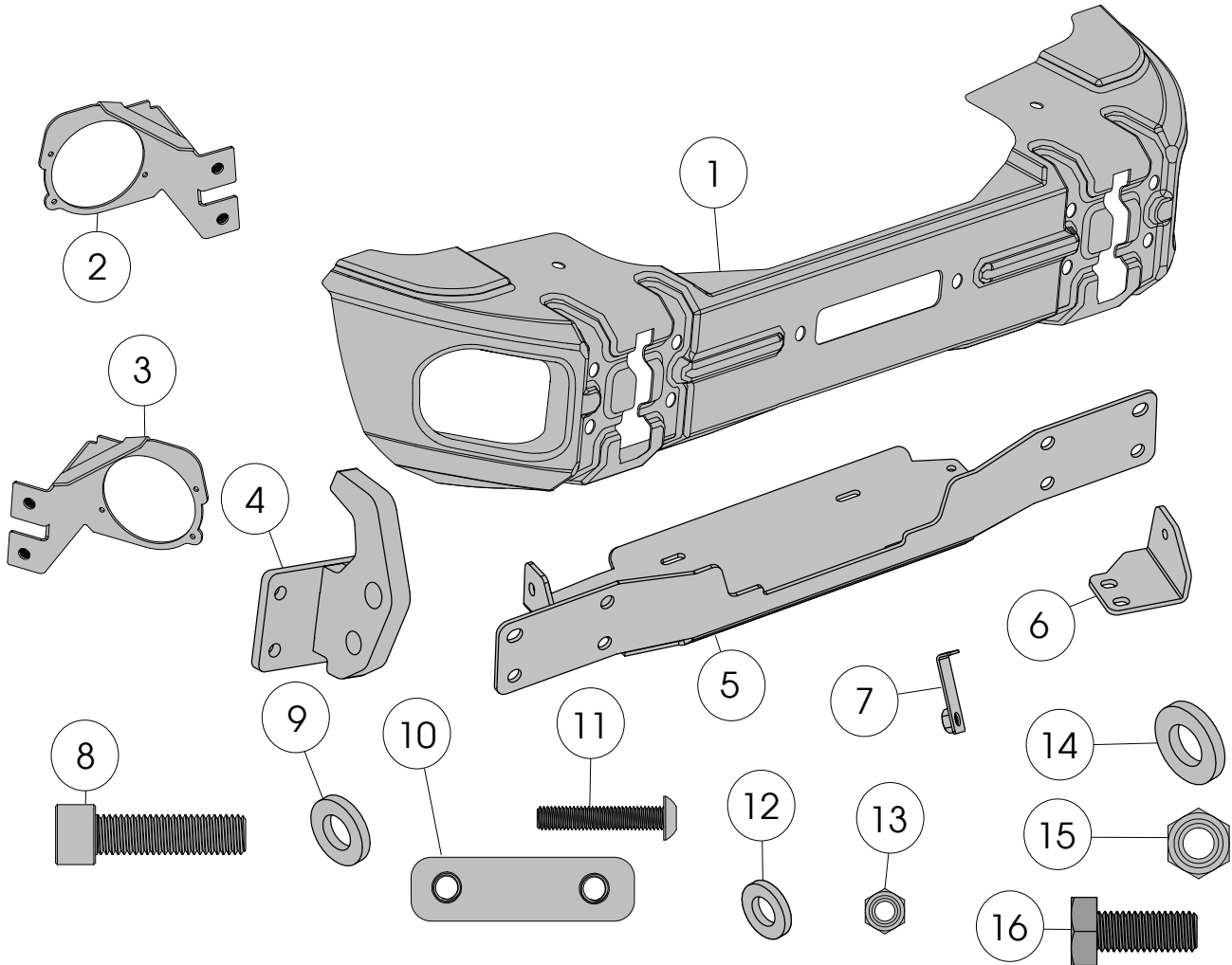


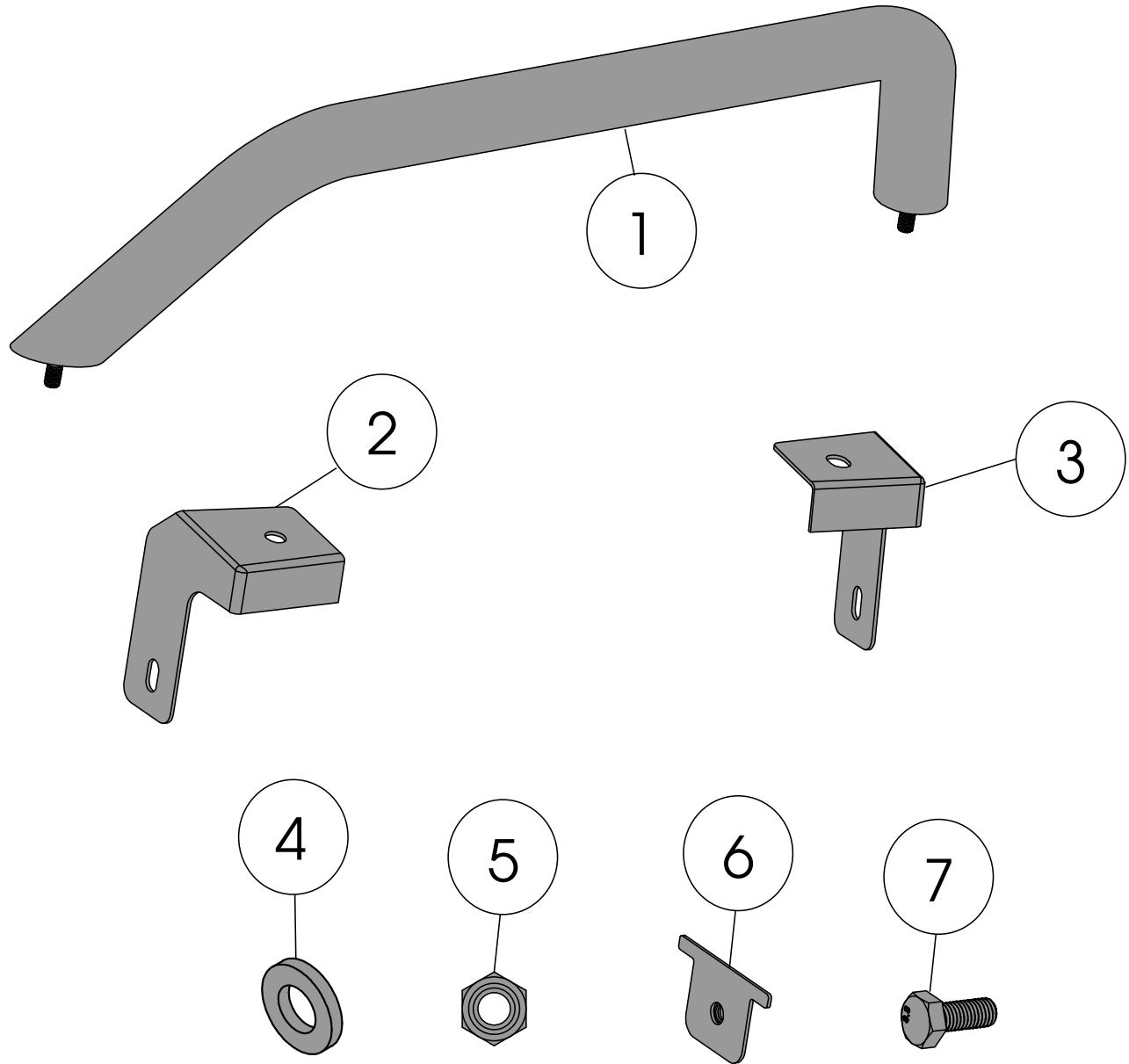
## Arcus Front Bumper, JK Patent Pending



### Bumper Components

1. Bumper Shell	(1)	9. M12 Washer	(8)
2. Right Fog Light Bracket	(1)	10. Nut Plate	(2)
3. Left Fog Light Bracket	(1)	11. M4 Button Head Bolt	(8)
4. Tow Hook	(2)	12. M4 Washer	(8)
5. Winch Tray	(1)	13. M4 Nut	(8)
6. Winch Tray Bracket	(1)	14. M10 Washer	(2)
7. Winch Tray Nut Plate	(2)	15. M10 Nut	(4)
8. M12 Socket Head Bolt	(8)	16. M10 Hex Head Bolt	(6)

## Arcus Front Bumper, JK Patent Pending



### Tube Override Components

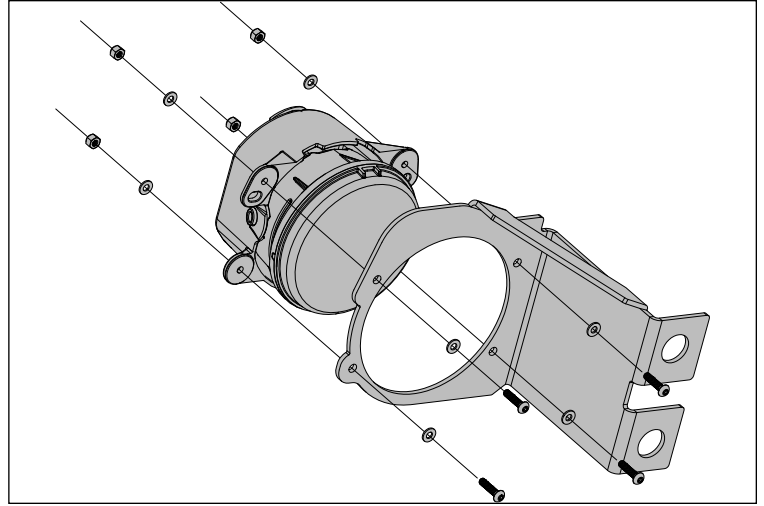
- |                                    |     |              |     |
|------------------------------------|-----|--------------|-----|
| 1. Tube Override                   | (1) | 5. M10 Nut   | (2) |
| 2. Right Override Mounting Bracket | (1) | 6. Nut Plate | (2) |
| 3. Left Override Mounting Bracket  | (1) | 7. M10 Bolt  | (2) |
| 4. M10 Washer                      | (4) |              |     |

**NOTICE** Only included with part # 11549.13 and 11549.14

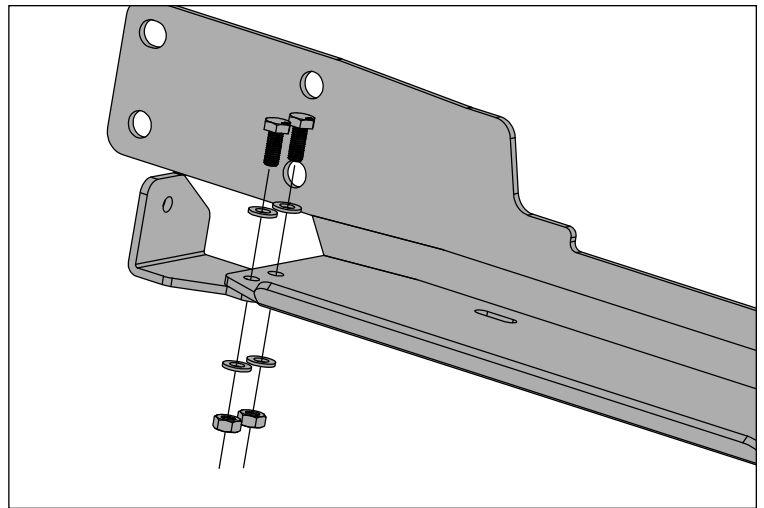
## Arcus Front Bumper, JK Patent Pending

1. Disconnect OE Fog Lights from vehicle and remove factory Bumper, Lower Air Dam, plastic Cover Panel, and Tow Hooks. Remove OE Fog Light Housings from factory Bumper.

2. Using supplied M4 hardware, attach Fog Light to Fog Light Bracket.

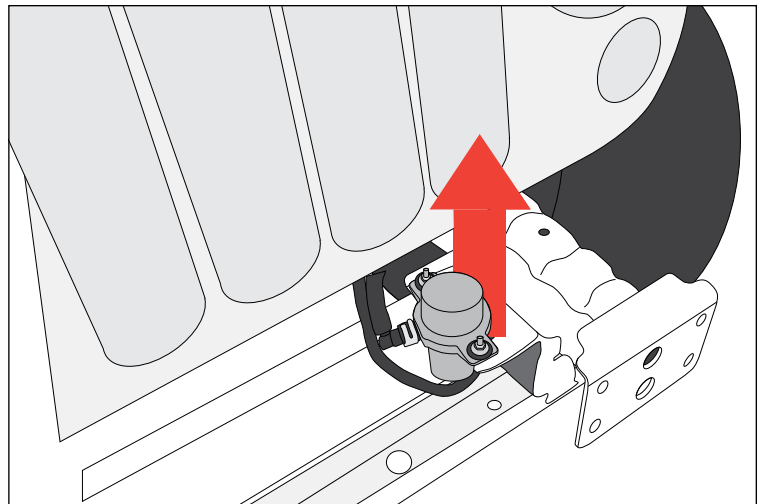


3. Using supplied M10 hardware, loosely attach Winch Tray Bracket to Winch Tray.



**NOTICE** If installing on a 07-11 Jeep Wranglers, skip to Step 5.

4. Unbolt factory vacuum pump canister.

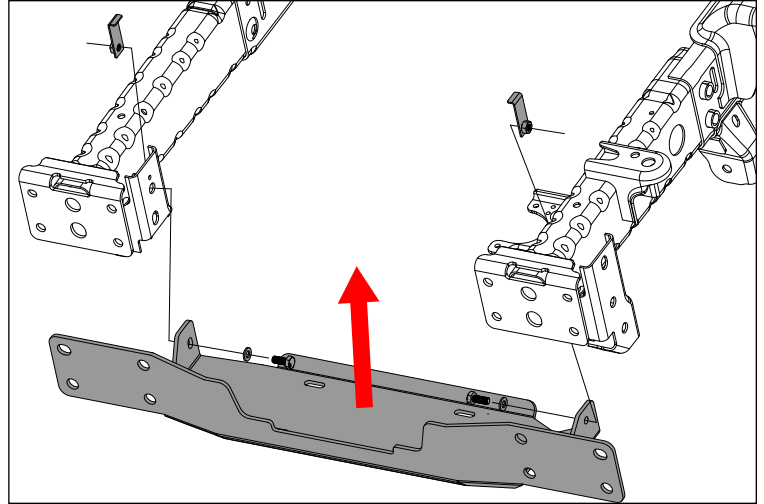


## Arcus Front Bumper, JK Patent Pending

5. Attach Winch Tray to frame horns by using supplied Winch Tray Nut Plate and M10 Hardware. Remount factory vacuum pump canister.

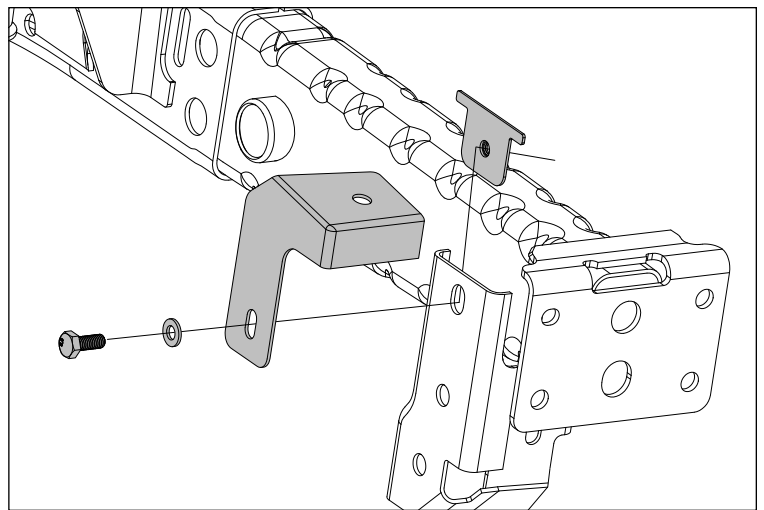
6. Follow Winch manufacturer's instructions, install winch.

**NOTICE** Make sure to tighten all Winch mounting hardware at this time. It will be difficult to access them once the bumper is fully installed.

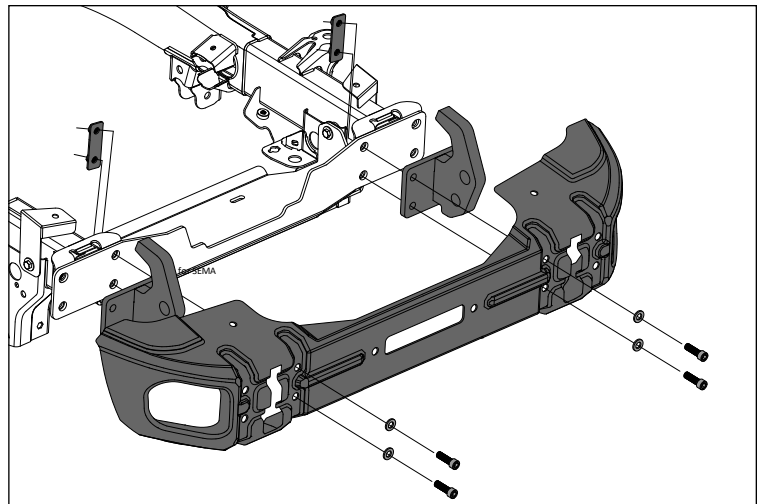


**NOTICE** If not installing Tube Override, Skip to Step 8.

7. Using supplied M10 hardware and Nut Plate, attach Override Mounting Bracket to frame horn.

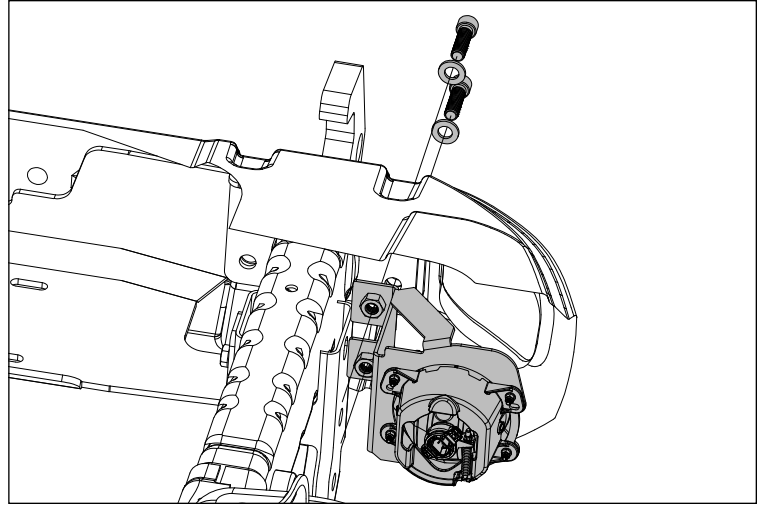


8. Position Bumper Shell and Tow Hooks into place on vehicle's frame rails. Using supplied M12 hardware and Nut Plates, loosely attach Bumper Shell and Tow Hooks using center four holes.

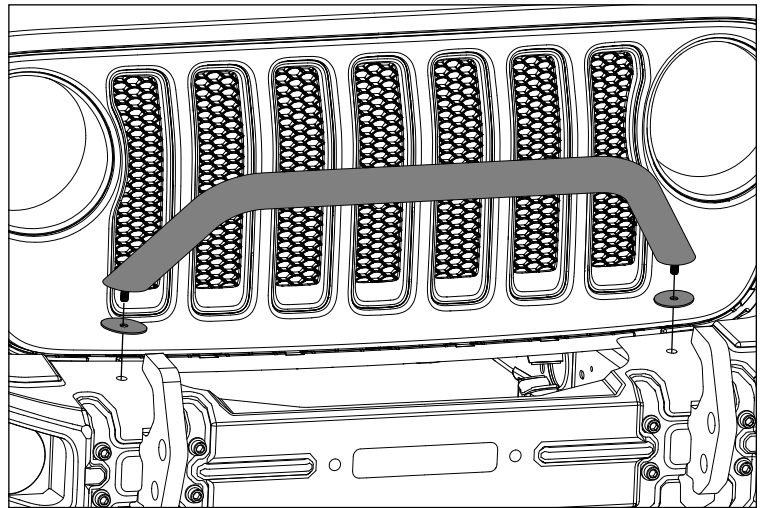


## Arcus Front Bumper, JK Patent Pending

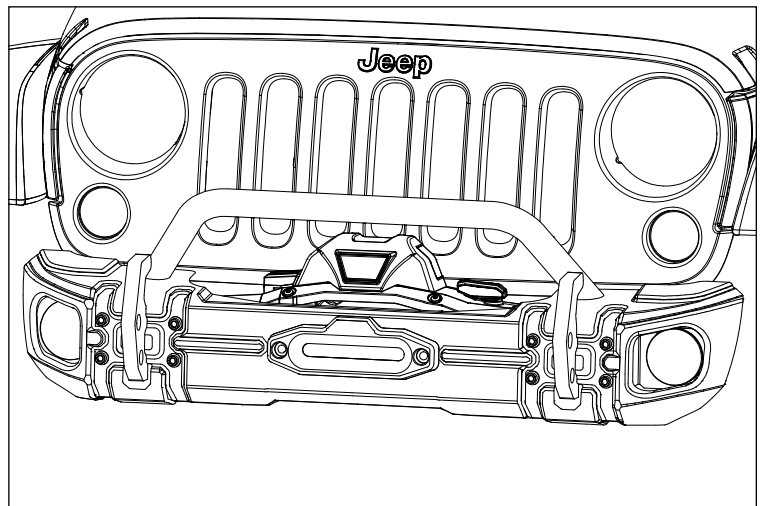
9. Loosely attach Light Bracket using supplied M12 hardware.



10. Position Tube Override and Rubber Spacer to align with Override Mounting Bracket and Bumper Shell. Using supplied M10 Nut and Washer, loosely attach Override.



11. Attach fairlead to Bumper Shell and finish completing Winch installation.



12. Tighten all nuts and bolts.