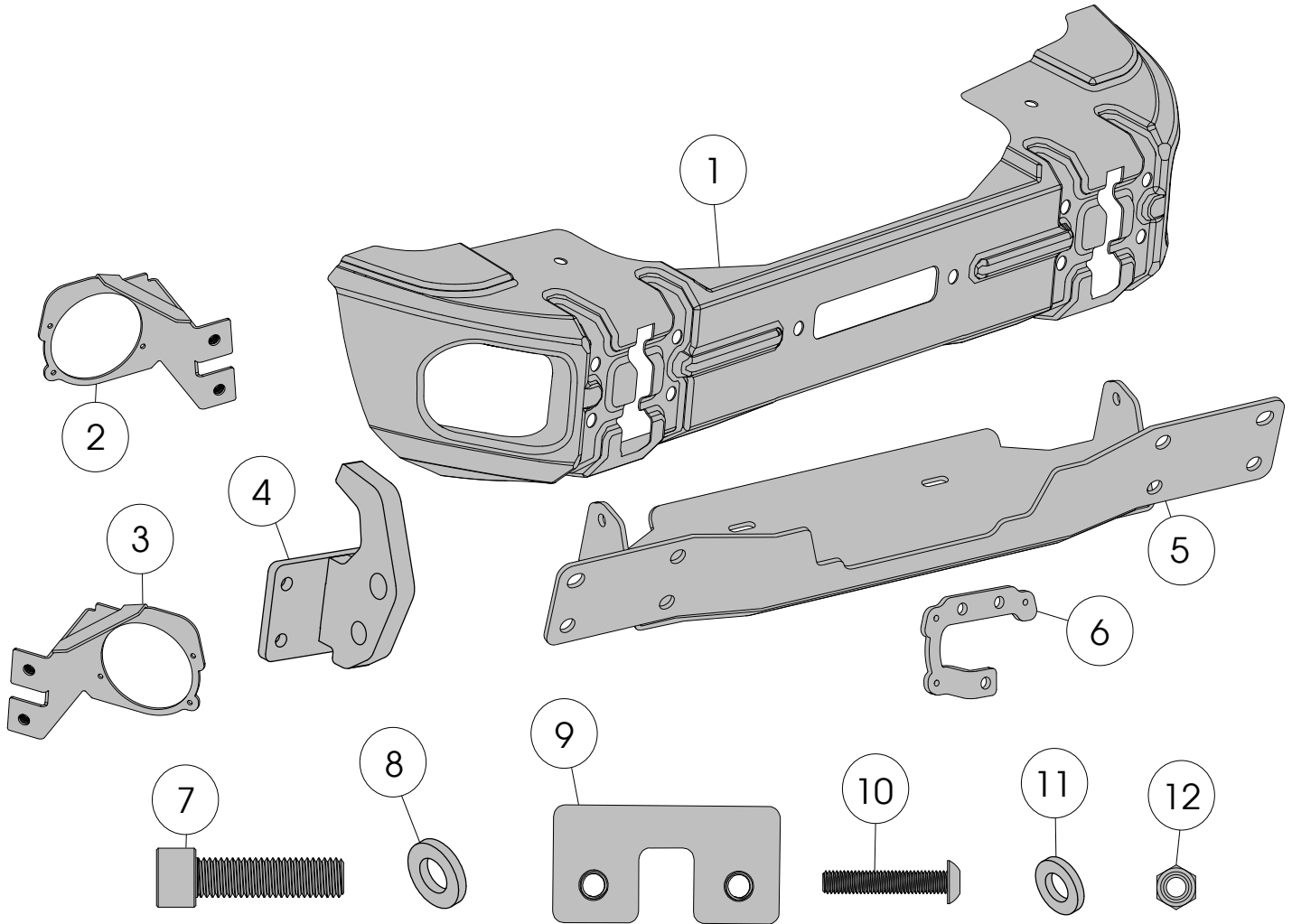


## Arcus Front Bumper, JL Patent Pending



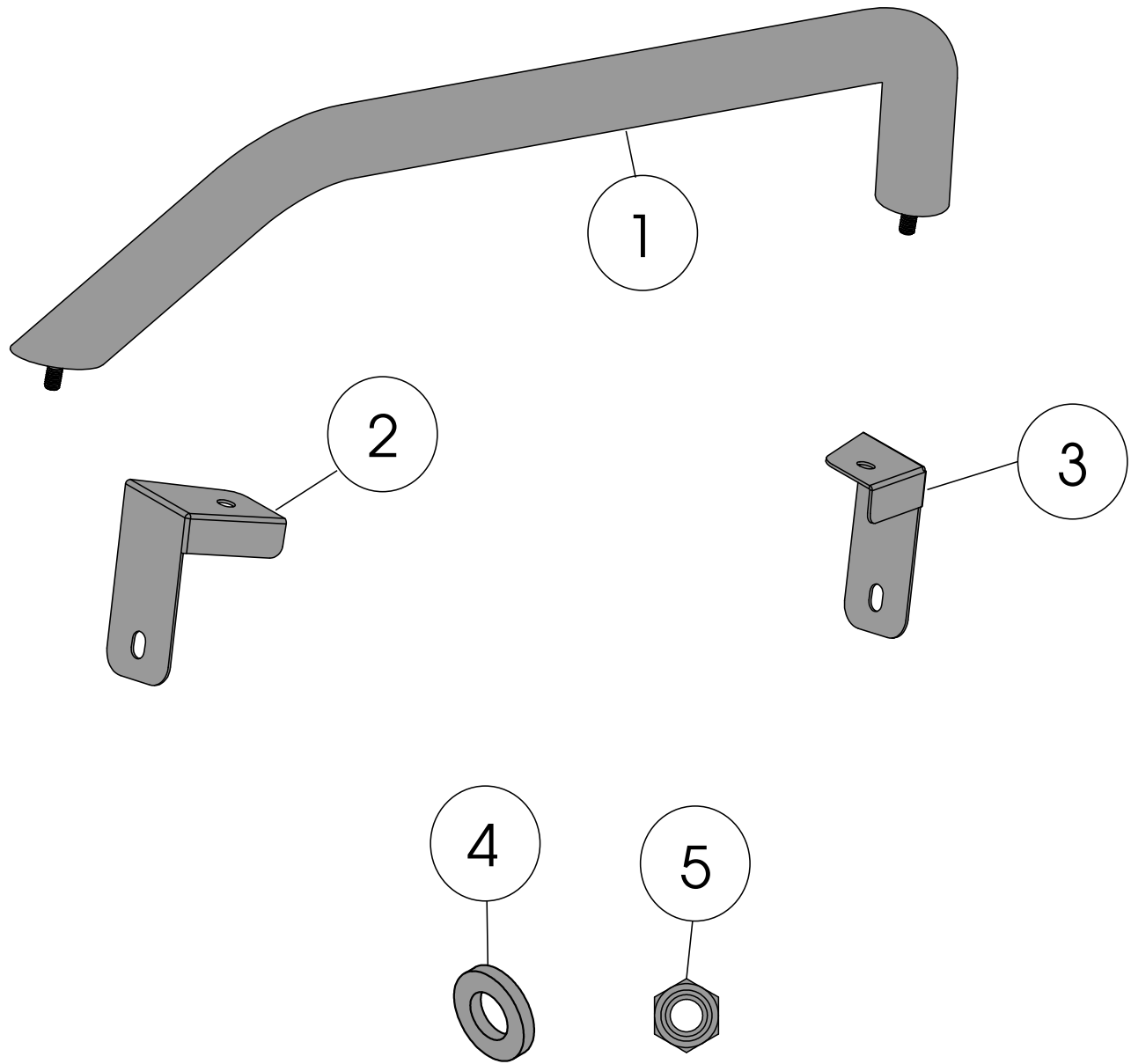
### Bumper Components

1. Bumper Shell	(1)	7. M12 Socket Head Bolt	(8)
2. Right Light Bracket	(1)	8. M12 Washer	(8)
3. Left Light Bracket	(1)	9. Nut Plate	(2)
4. Tow Hook	(2)	10. M4 Button Head Bolt	(8)
5. Winch Tray	(1)	11. M4 Washer	(8)
6. Fog Light Adaptor	(2)	12. M4 Nut	(8)

**ATTN: STATE OF CALIFORNIA CONSUMERS**

**⚠ WARNING: Cancer and Reproductive Harm**

## Arcus Front Bumper, JL Patent Pending



### Tube Override Components

1. Tube Override	(1)	4. M10 Washer	(2)
2. Right Override Mounting Bracket	(1)	5. M10 Nut	(2)
3. Left Override Mounting Bracket	(1)		

**NOTICE** Only included with part # 11549.03 and 11549.05

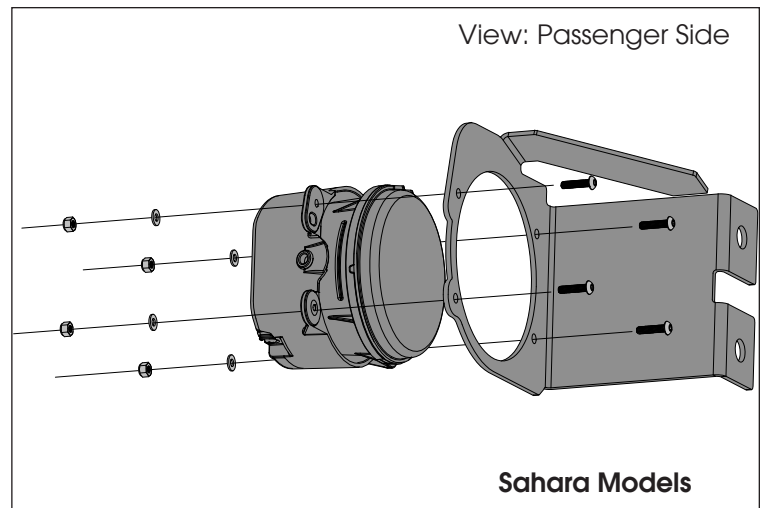
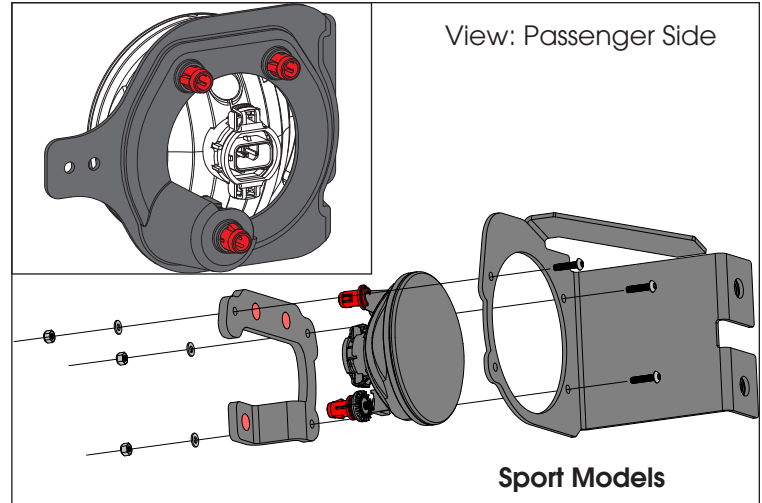
## Arcus Front Bumper, JL Patent Pending

1. Disconnect OE Fog Lights from vehicle and remove factory Bumper, Lower Air Dam, plastic Cover Panel, and Tow Hooks. Remove OE Fog Light Housings from factory Bumper.

2. Install Fog Lights.

**For Sport Models:** Remove OE plastic mounting bracket from light by depressing tabs on light housing. Snap tabs into Fog Light Adaptor. Using supplied M4 hardware, attach Fog Light Adaptor to Light Bracket.

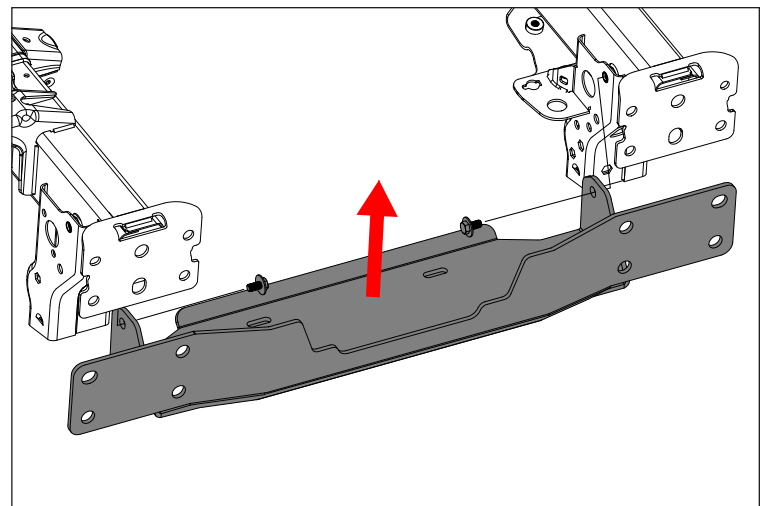
**For Sahara Models:** Using supplied M4 hardware, attach Fog Light to Light Bracket.



4. Remove OE Frame Horn Brackets. Reusing OE bolts from Frame Horn Brackets, loosely attach Winch Tray.

5. Following Winch Manufacturer's instructions, install winch.

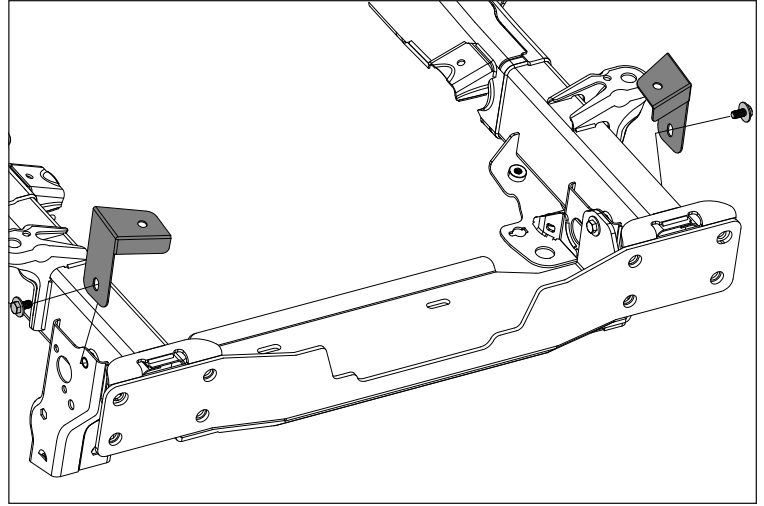
**NOTICE** Make sure to tighten all Winch mounting hardware at this time. It will be difficult to access them once bumper is fully installed.



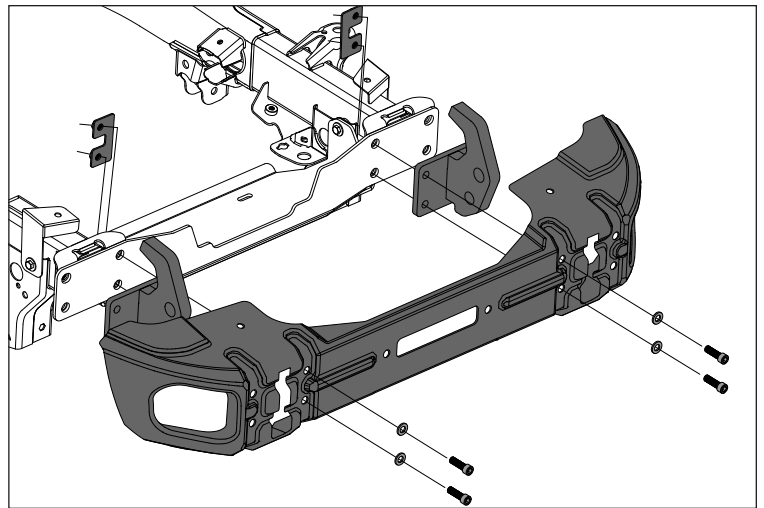
## Arcus Front Bumper, JL Patent Pending

**NOTICE** If not installing Tube Override, Skip to Step 7.

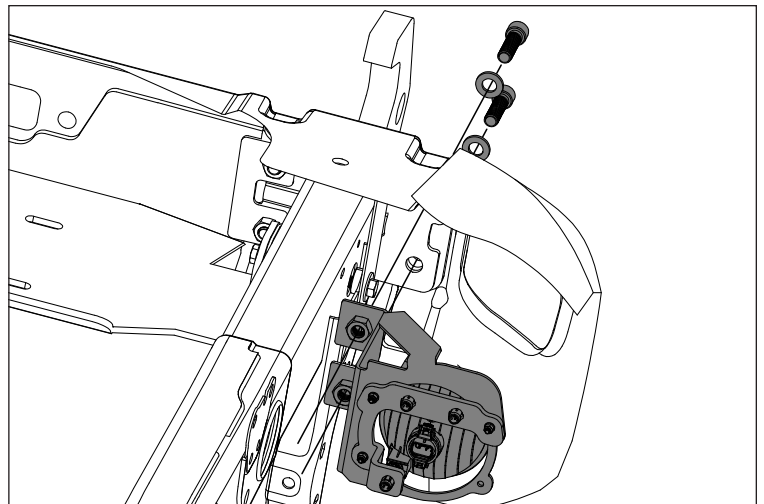
6. Reusing OE bolts (see Step 4), loosely attach Override Mounting Bracket.



7. Position Bumper Shell and Tow Hooks into place on vehicle's frame rails. Using supplied M12 hardware and Nut Plates, loosely attach Bumper Shell and Tow Hooks using center four holes.

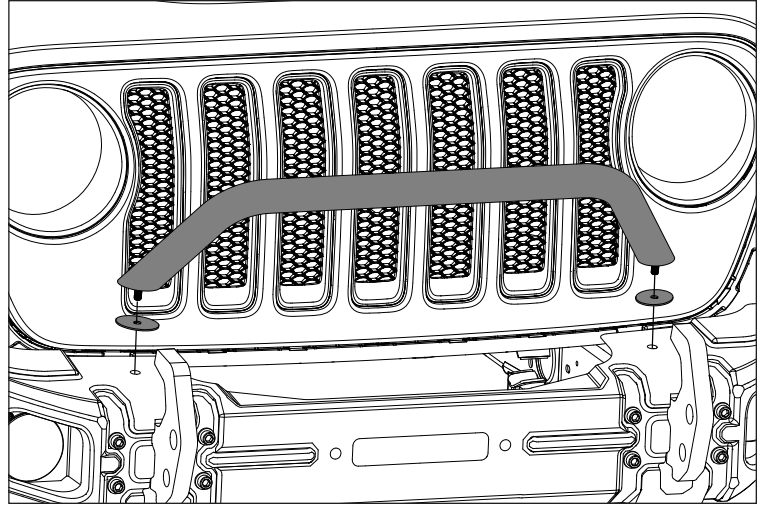


8. Loosely attach Light Bracket using supplied M12 hardware.

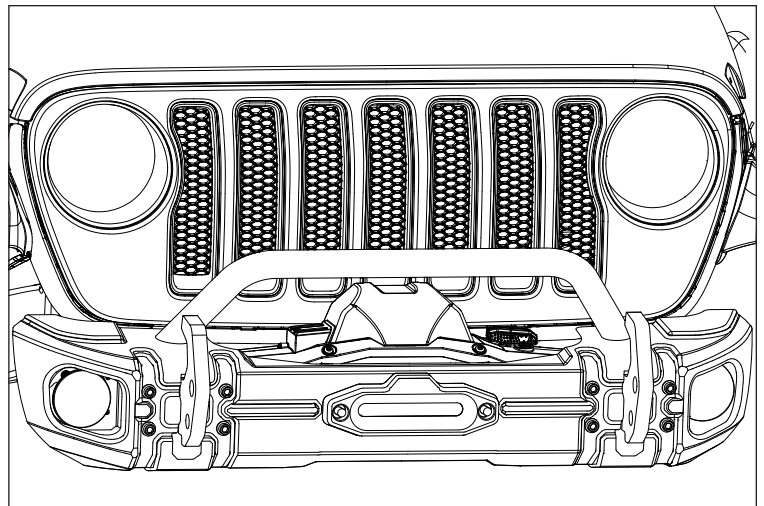


## Arcus Front Bumper, JL Patent Pending

9. Position Tube Override and Rubber Spacer to align with Override Mounting Bracket and Bumper Shell. Using supplied M10 Nut and Washer, loosely attach Override.



10. Attach fairlead to Bumper Shell and finish completing Winch installation.



11. Tighten all nuts and bolts.