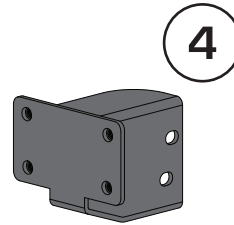
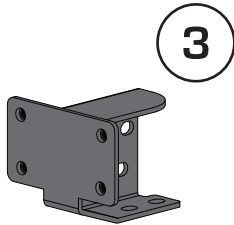
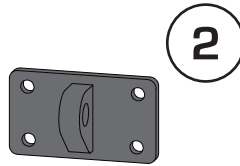
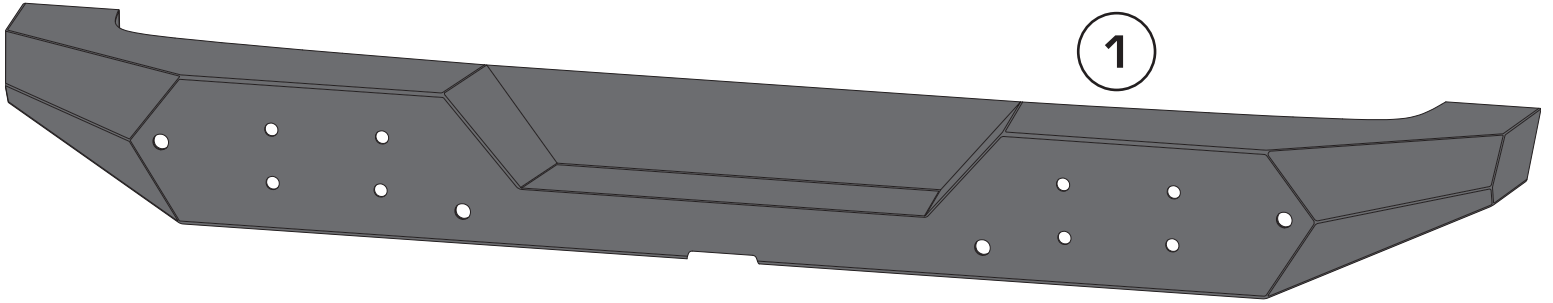




OMIX-ADA, Inc.

Part # 11548.51

Spartan Rear Bumper, JL Wrangler



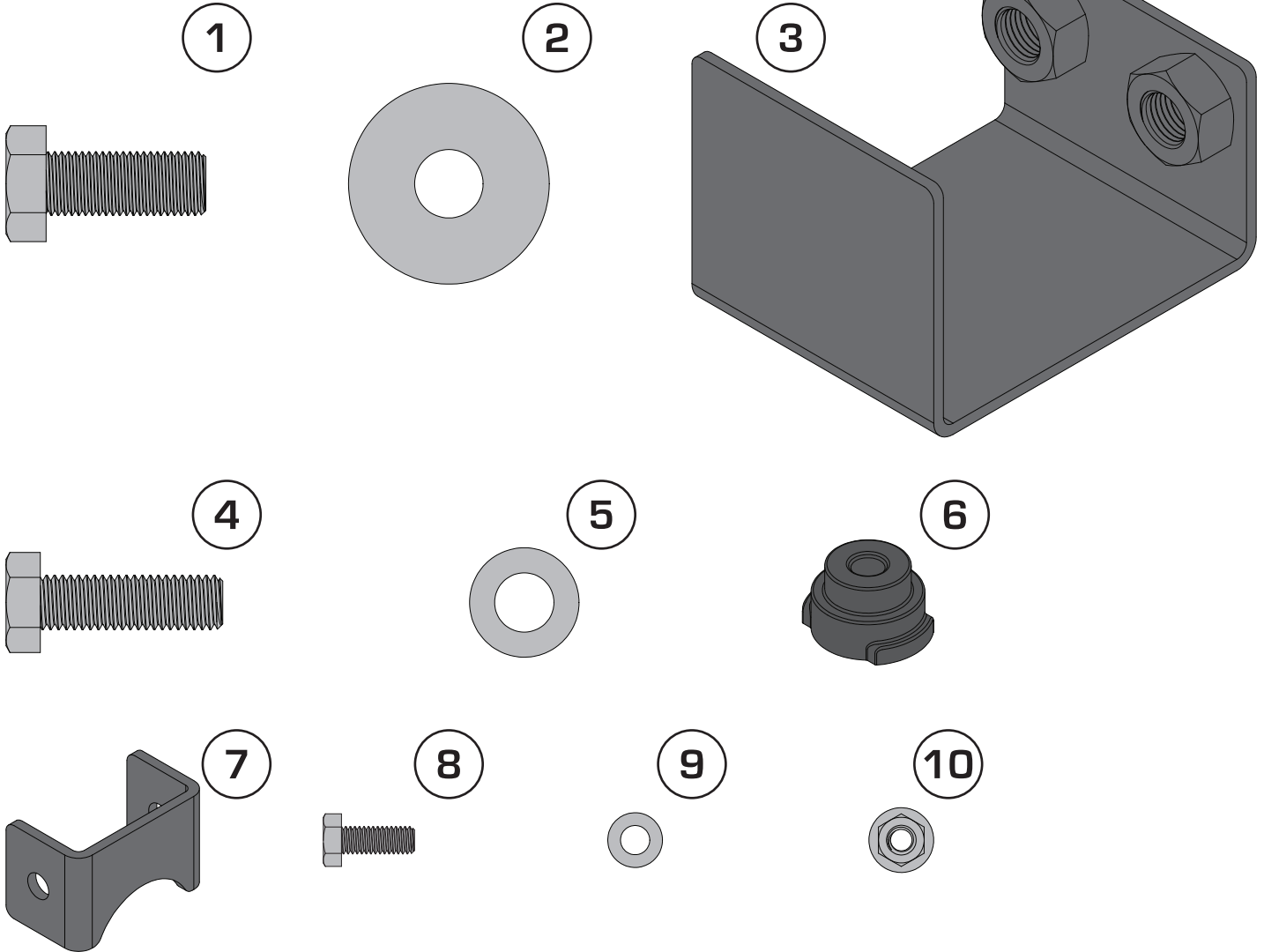
Components

- 1. Spartan Rear Bumper
- 2. D-Shackle Tab

- (1) 3. Mounting Bracket - Left (1)
- (2) 4. Mounting Bracket - Right (1)



Spartan Rear Bumper, JL Wrangler



Components

- | | | |
|------------------|-----------------------|-----|
| 1. M14 Bolt | (8) 6. Rubber Plug | (4) |
| 2. M14 Washer | (8) 7. Sensor Bracket | (4) |
| 3. M14 Nut Plate | (1) 8. M6 Bolt | (8) |
| 4. M12 Bolt | (8) 9. M6 Washer | (8) |
| 5. M12 Washer | (8) 10. M6 Nut | (8) |

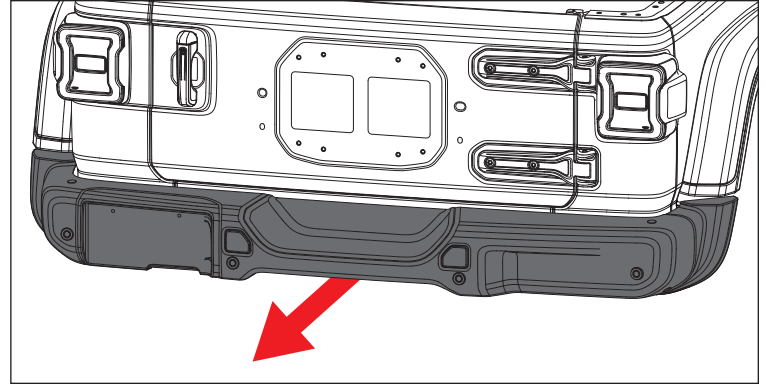
**Rugged
Ridge**



ALLOY
USA

Spartan Rear Bumper, JL Wrangler

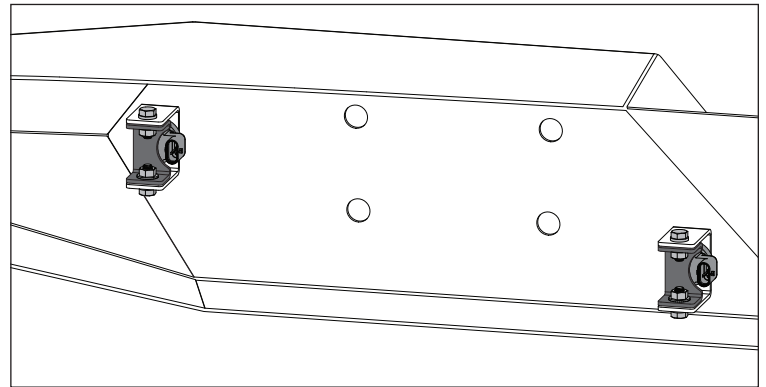
1. Remove factory rear bumper and tow hook. If vehicle is equipped with back up sensors, remove from bumper.



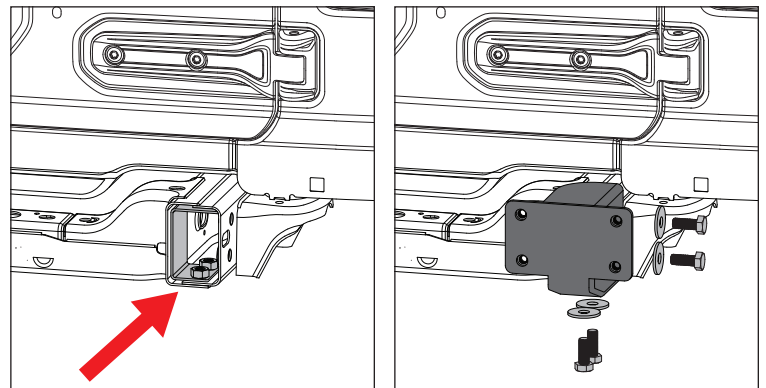
2. Install factory back up sensors (if equipped) or supplied Rubber Plug in Spartan Rear Bumper using M6 hardware and Sensor Brackets.

NOTICE

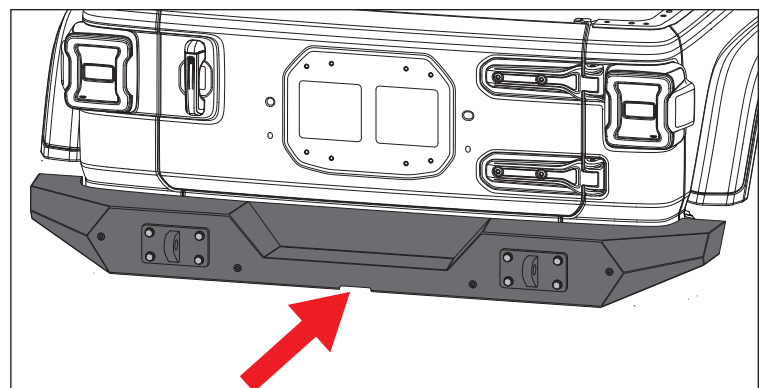
When installing sensors, ensure plug side faces center of vehicle.



3. Insert M14 Nut Plate in passenger side frame opening and loosely install Mounting Brackets using supplied M14 hardware.



4. Install Bumper and D-Shackle Tabs using supplied M12 hardware. Once bumper is in position, fully tighten Mounting Bracket hardware.



Discover other off-road bumpers on our website.