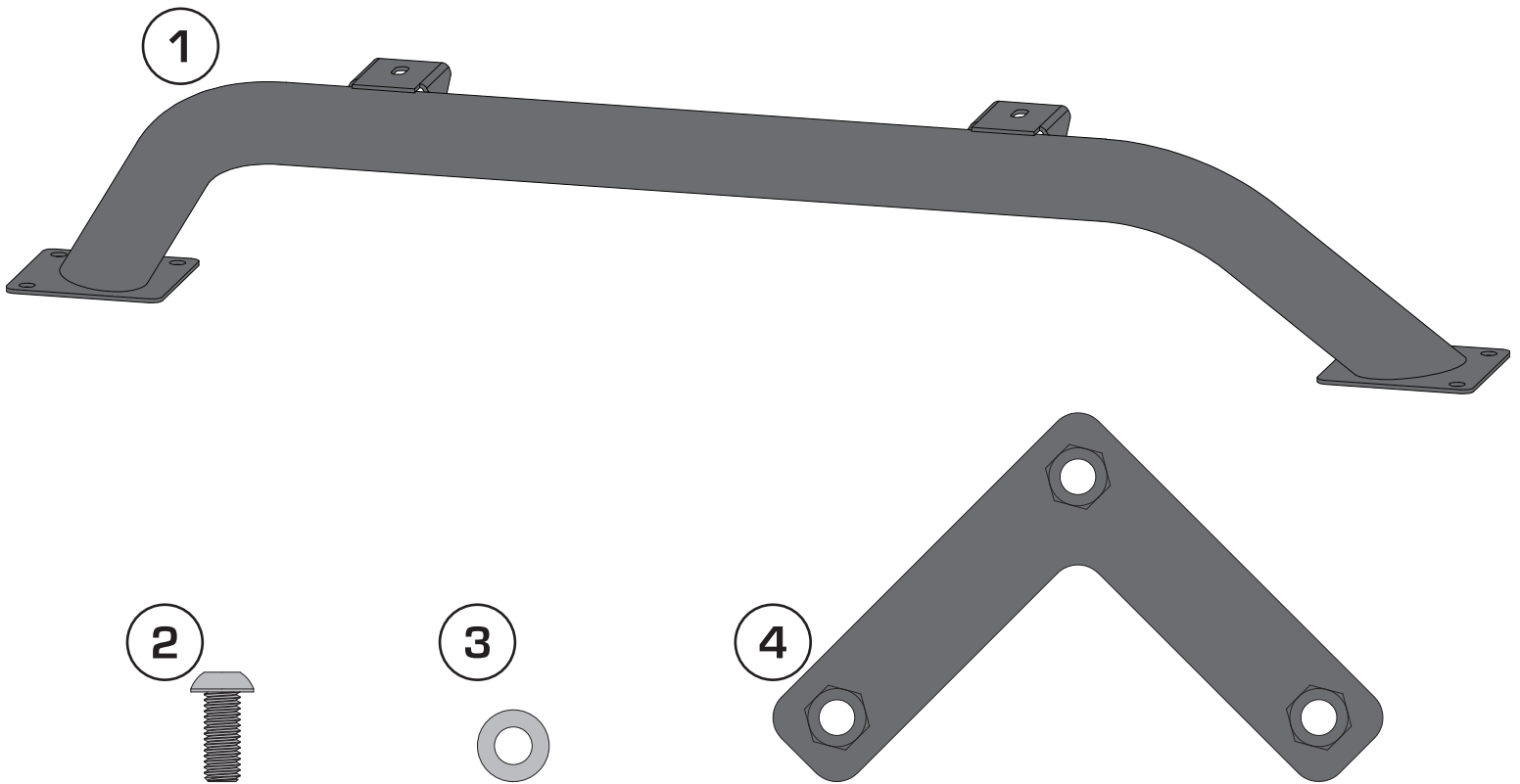


## Spartan Override, JL Wrangler



### Components

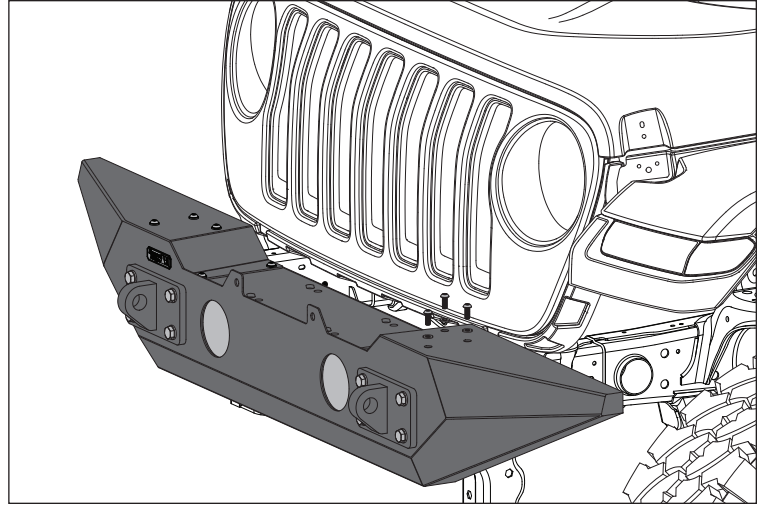
1. Spartan Override  
2. M8 Bolt

(1) 3. M8 Washer  
(6) 4. M8 Nut Plate

(6)  
(2)

## Spartan Override, JL Wrangler

1. Remove M8 hardware filling holes on Spartan Front Bumper.



2. Install Spartan Override using supplied M8 hardware and nut plates.

