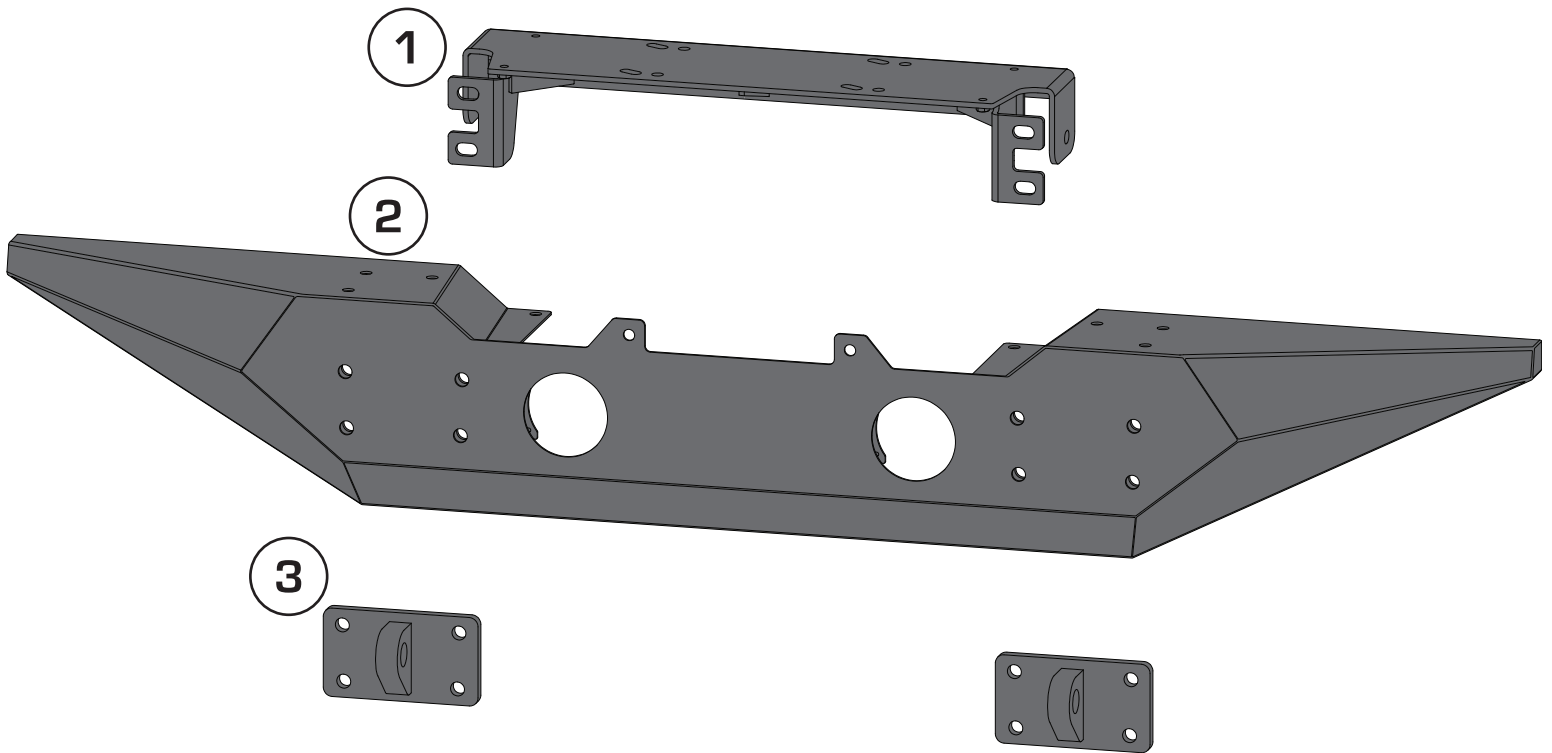


Spartan Front Bumper - Standard Ends, JL Wrangler



Components

1. Winch Plate
2. Spartan Front Bumper

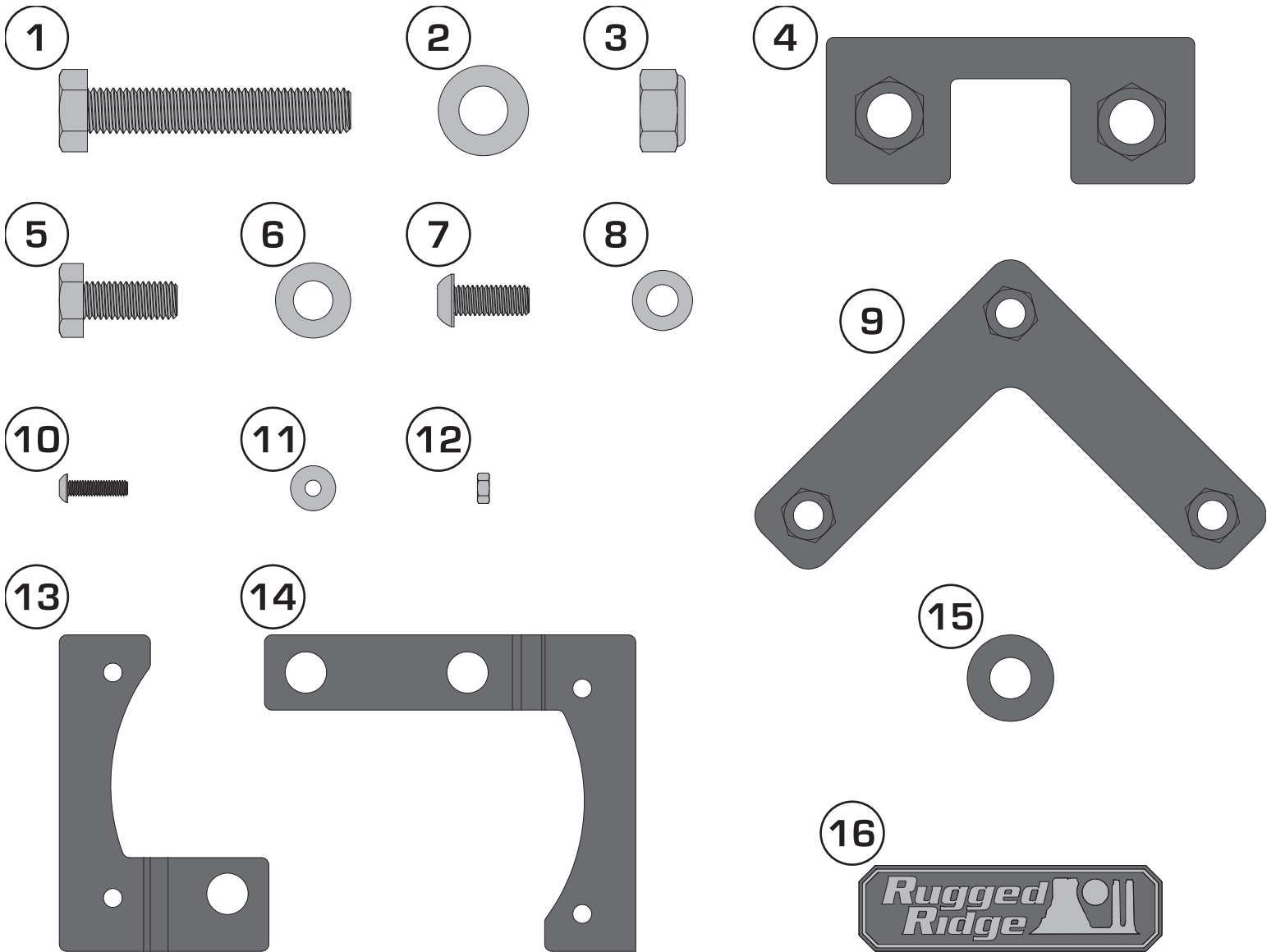
(1) 3. D-Shackle Tab
(1)

(2)

Rugged Ridge are proud to offer a high quality product at the industries most competitive pricing!



Spartan Front Bumper - Standard Ends, JL Wrangler

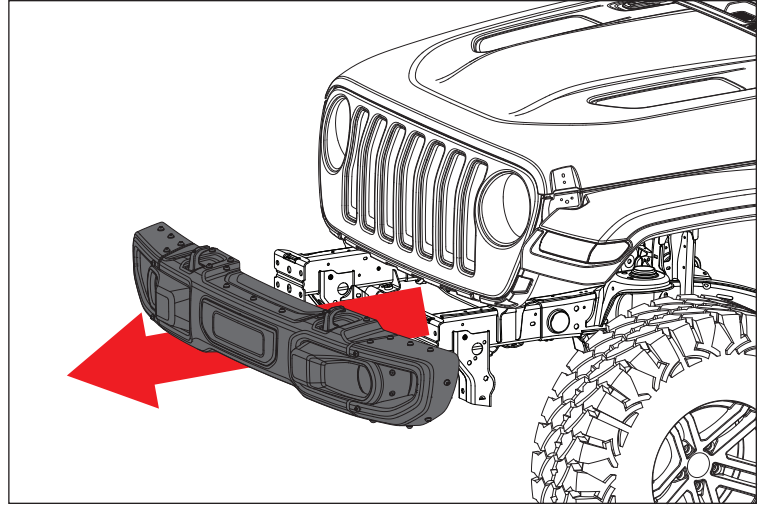


Components

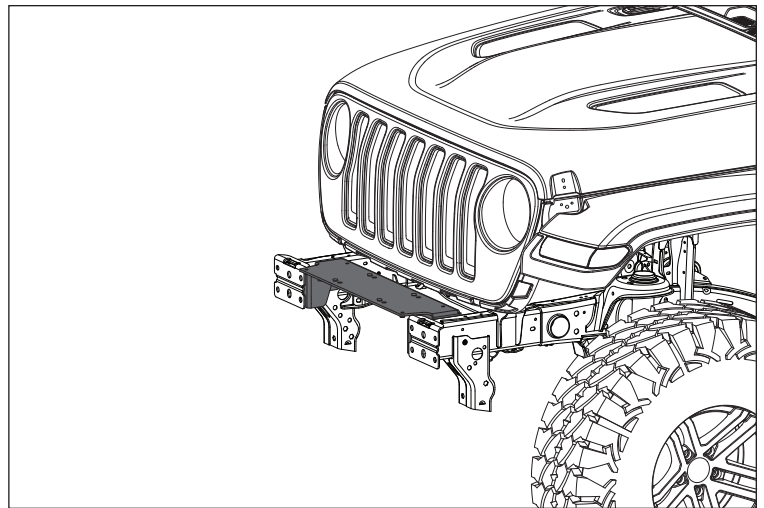
- | | | | |
|------------------|------|--------------------------------|------|
| 1. M12 Bolt | (8) | 9. M8 Nut Plate | (2) |
| 2. M12 Washer | (12) | 10. M4 Bolt | (8) |
| 3. M12 Lock Nut | (4) | 11. M4 Washer | (16) |
| 4. M12 Nut Plate | (2) | 12. M4 Nut | (8) |
| 5. M10 Bolt | (2) | 13. Fog Light Adapter - Left | (2) |
| 6. M10 Washer | (2) | 14. Fog Light Adapter - Right | (2) |
| 7. M8 Bolt | (10) | 15. Fog Light Adapter - Washer | (6) |
| 8. M8 Washer | (10) | 16. Badge Logo | (1) |

Spartan Front Bumper - Standard Ends, JL Wrangler

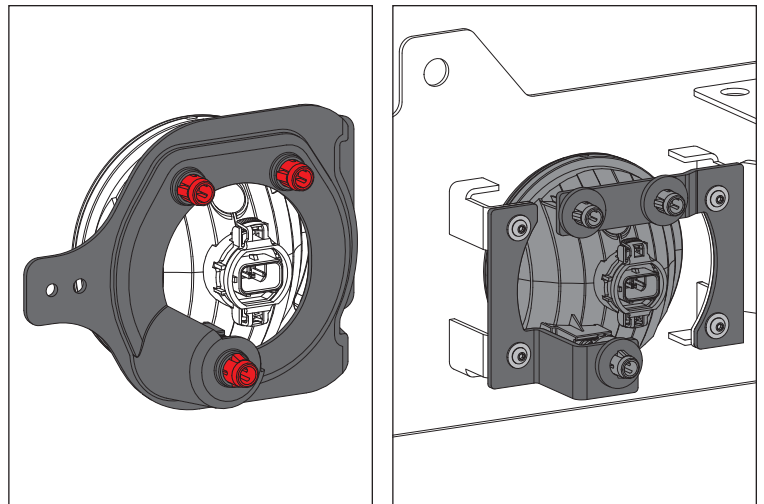
1. Remove OE front bumper and inner frame horn support brackets.



2. Loosely install Winch Plate to inside of frame using supplied M10 hardware.



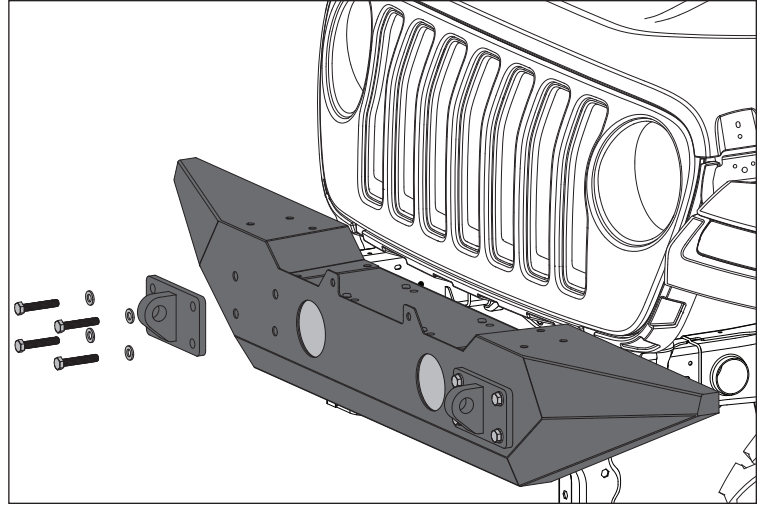
3. If installing Sport model fog lights, remove black plastic mounting bracket from light by depressing tabs on light housing. Replace mounting bracket with supplied Fog Light Adapter components as shown.



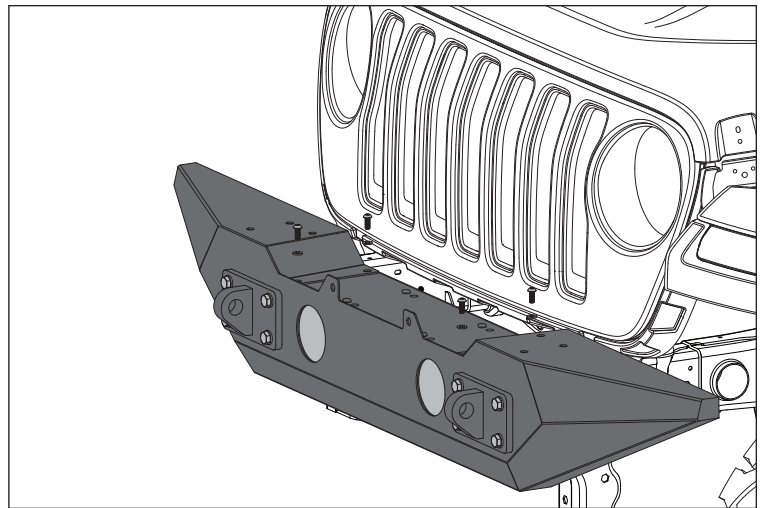
4. Install fog lights using supplied M4 hardware.

Spartan Front Bumper - Standard Ends, JL Wrangler

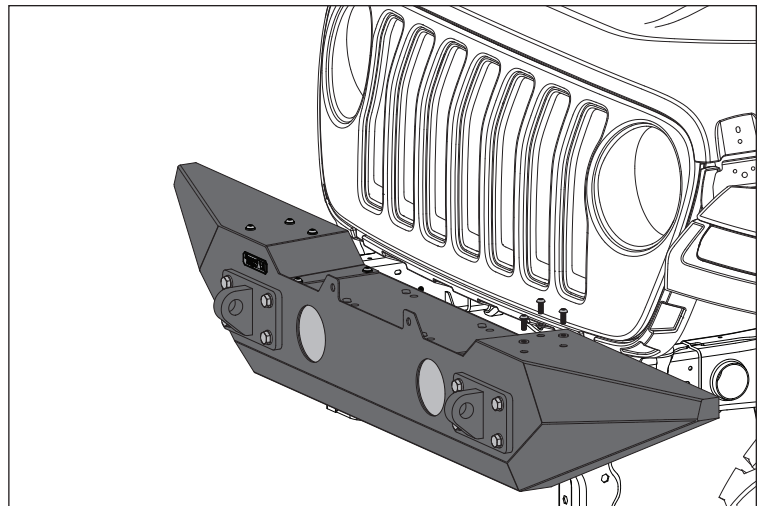
5. Loosely install Spartan Front Bumper and D-Shackle Tabs using supplied M12 hardware. M12 Nut Plates are designed to mount behind Winch Plate.



6. Fasten Spartan Front Bumper to Winch Plate using supplied M8 hardware. Tighten all fasteners and reconnect fog lights.



7. Fill holes for Spartan Override (11548.44) using supplied M8 hardware and nut plates.



8. If desired, apply Badge Logo above passenger side D-Shackle Tab.