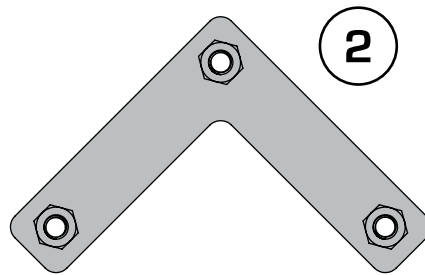
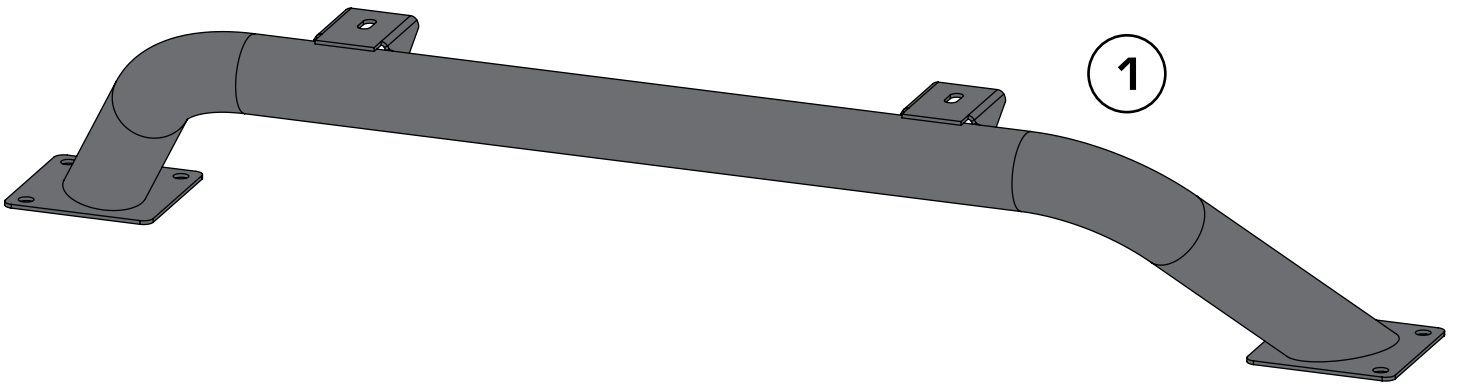


# Spartan Override



---

## Components

1. Override

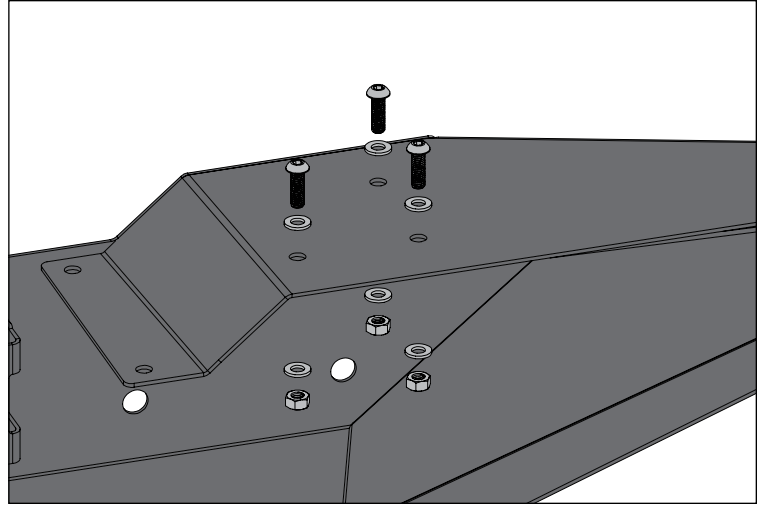
(1) 2. M8 Nut Plate

(2)



## Spartan Override

1. Remove M8 Bolts, Flat Washers, and Nuts from Spartan Bumper filling override mounting holes.



2. Install Spartan Override using supplied M8 Nut Plates and removed M8 Bolts and Flat Washers.

