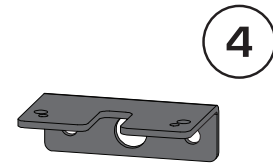
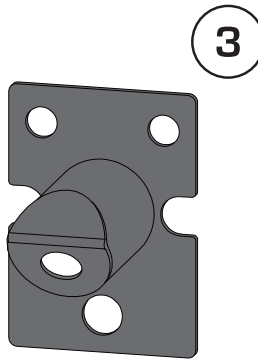
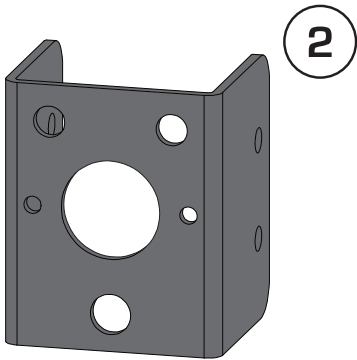
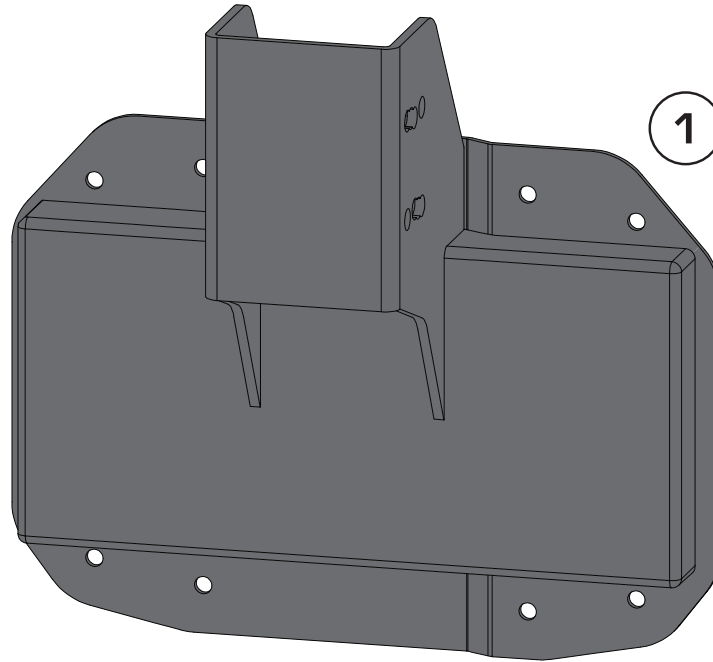


# Spartacus HD Tire Carrier - Wheel Mount, JL Wrangler



## Components

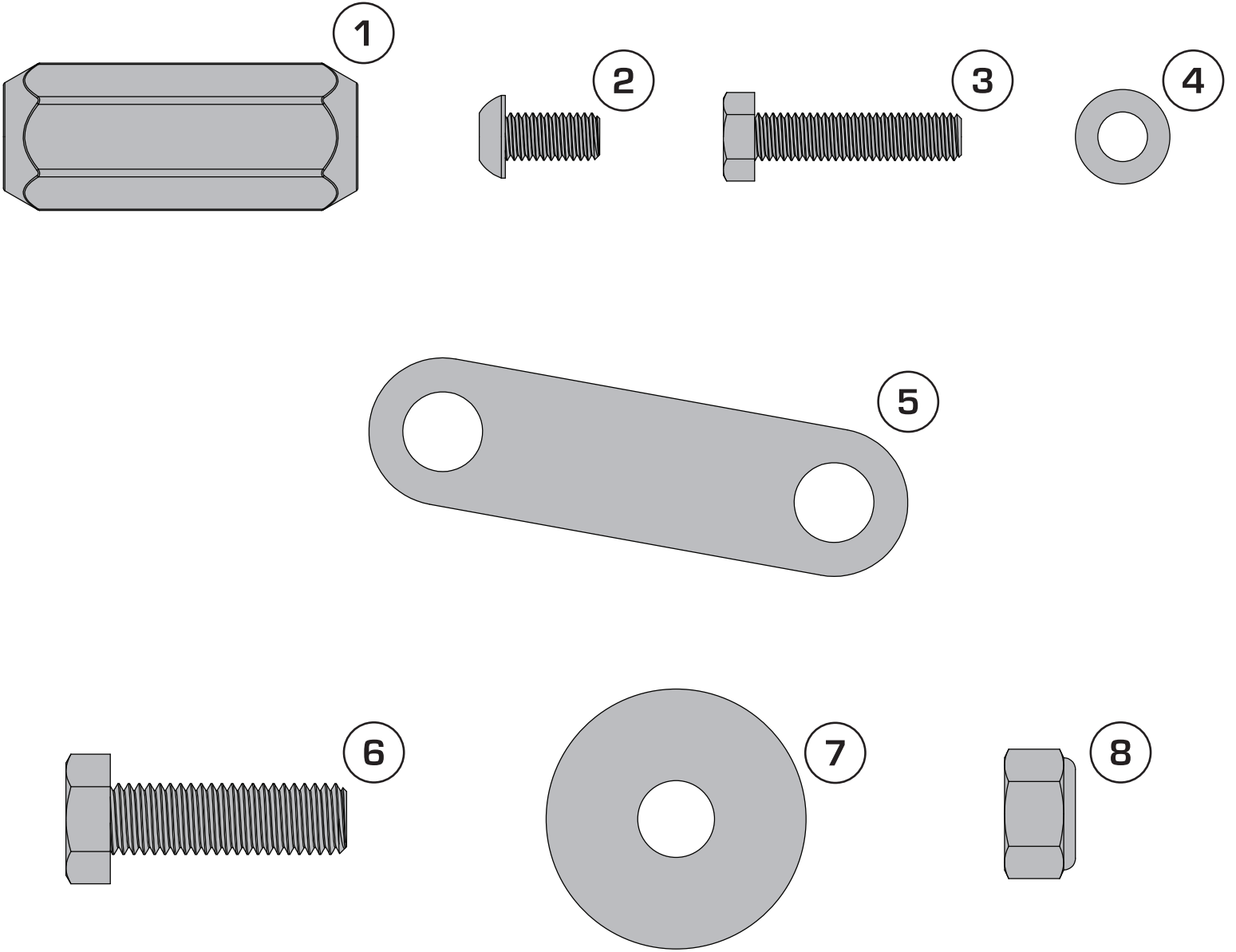
- 1. Wheel Mount
- 2. Stud Plate

- (1) 3. Camera Shield (1)
- (1) 4. Brake Light Mount (1)

**ATTN: STATE OF CALIFORNIA CONSUMERS**  
**⚠ WARNING: Cancer and Reproductive Harm**



## Spartacus HD Tire Carrier - Wheel Mount, JL Wrangler



### Components

- |                        |      |                      |     |
|------------------------|------|----------------------|-----|
| 1. Lug Nut             | (2)  | 5. Spacer Plate      | (2) |
| 2. M8 Button Head Bolt | (2)  | 6. M12 Hex Head Bolt | (4) |
| 3. M8 Hex Head Bolt    | (8)  | 7. M12 Washer        | (8) |
| 4. M8 Washer           | (10) | 8. M12 Lock Nut      | (4) |

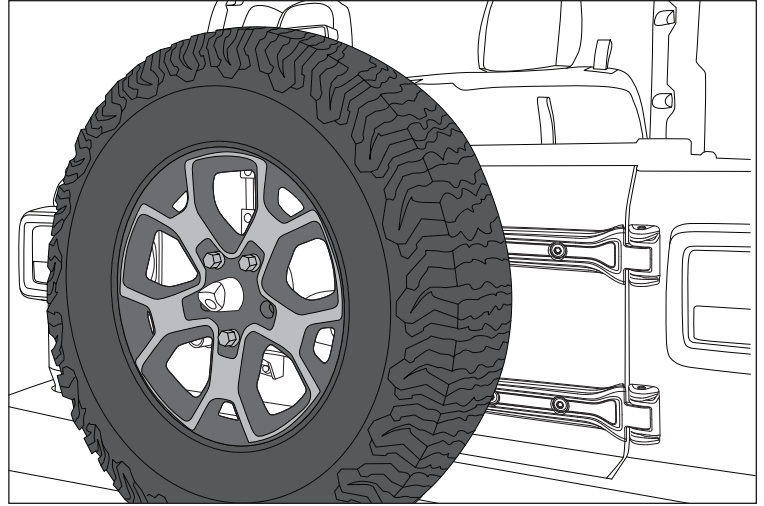


## Spartacus HD Tire Carrier - Wheel Mount, JL Wrangler

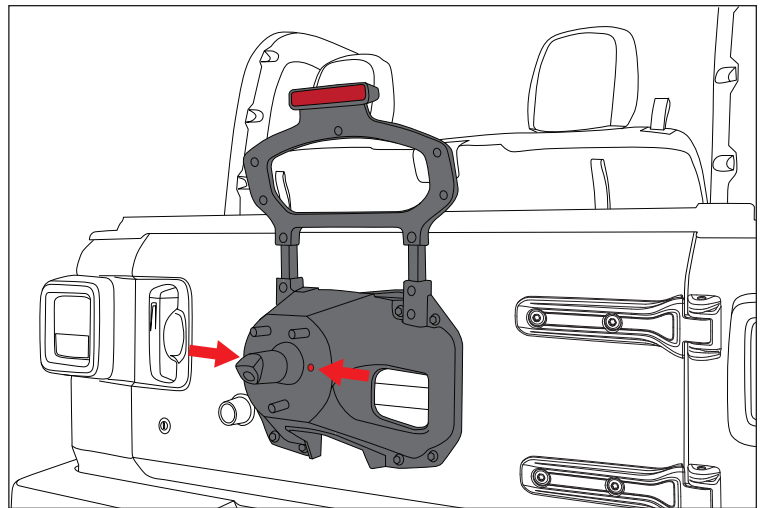
1. Remove spare tire.



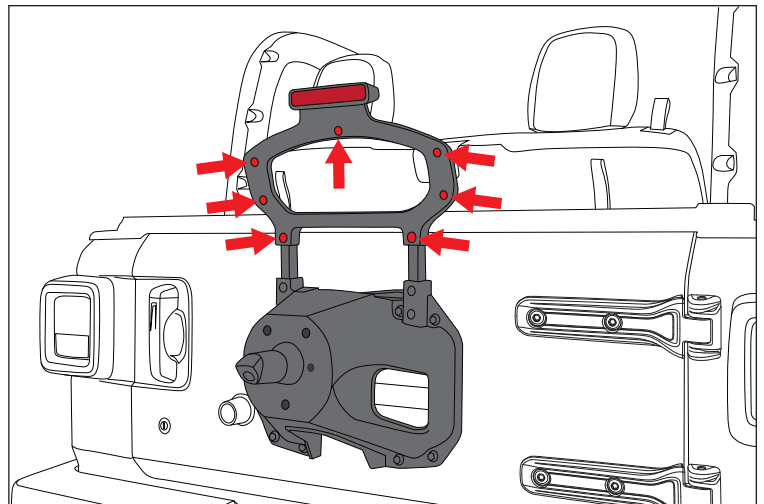
Have another person help lift tire off wheel mount.



2. Using T25 Torx drive, remove two screws securing lug stud assembly to factory tire carrier. Remove lug stud assembly, including back up camera, and set aside for later use.



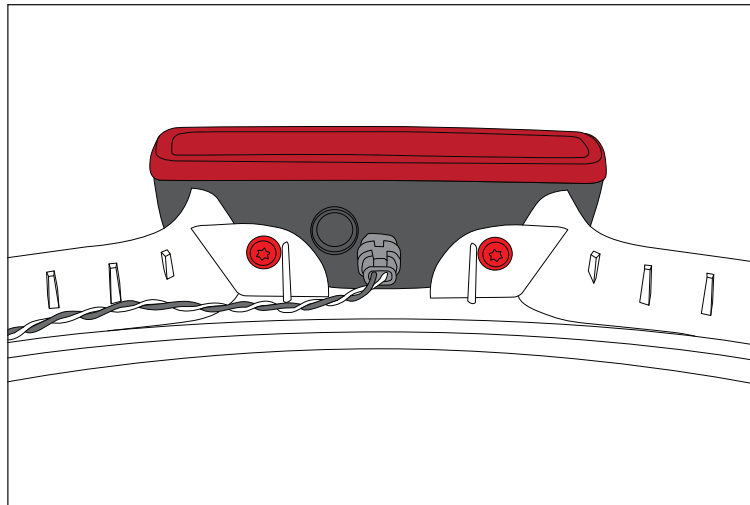
3. Using T25 Torx drive, remove seven screws securing cover plate to third brake light mount.



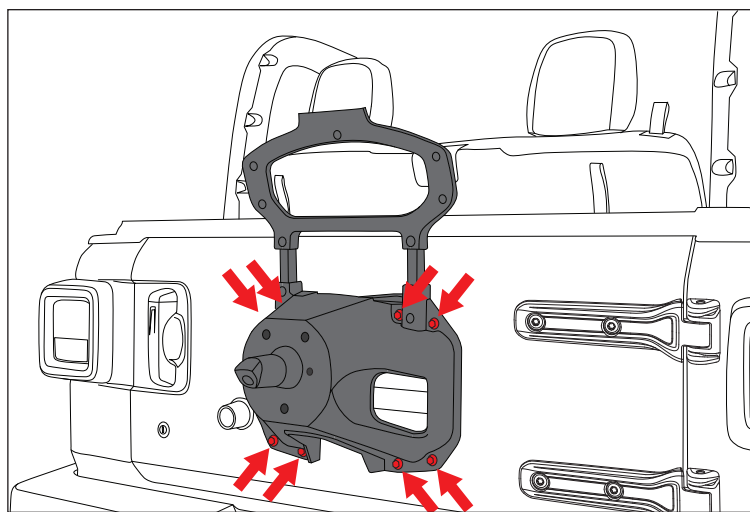


## Spartacus HD Tire Carrier - Wheel Mount, JL Wrangler

4. Using T25 Torx drive, remove two screws securing third brake light and unplug light. Set screws and light aside for later use.



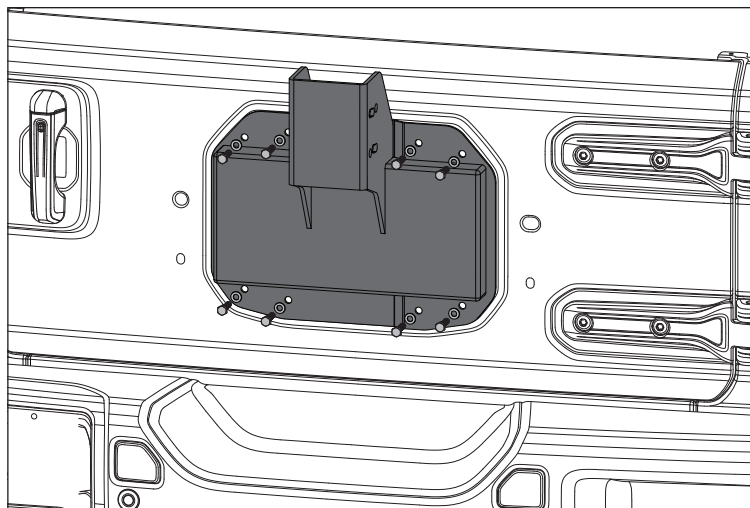
5. Using 13mm socket, remove eight factory bolts securing spare tire mount. Remove wires for third brake light and back up camera.



6. Install Wheel Mount using supplied M8 Hex Bolts, Washers, and Spacer Plates on passenger side.

### NOTICE

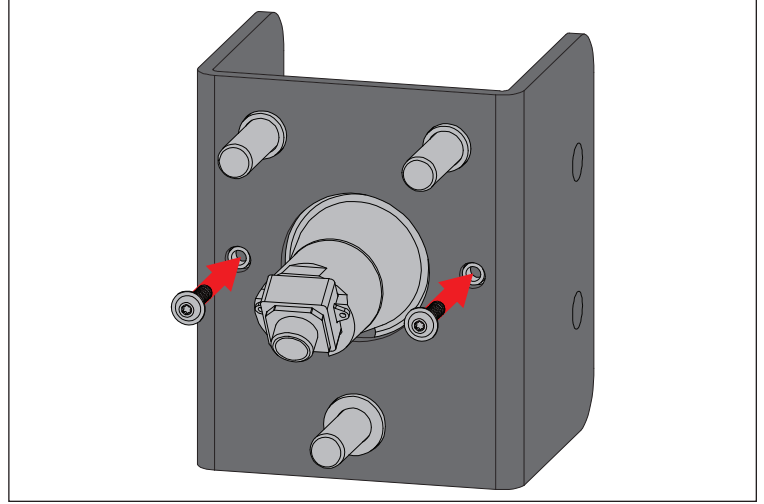
If installing Spartacus Hinge Casting (11546.56) along with Spartacus Wheel Mount, use of Spacer Plates is not required.



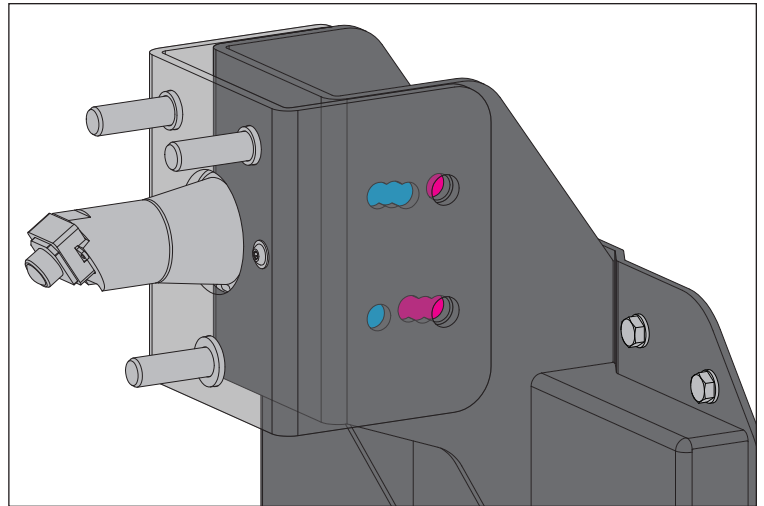


## Spartacus HD Tire Carrier - Wheel Mount, JL Wrangler

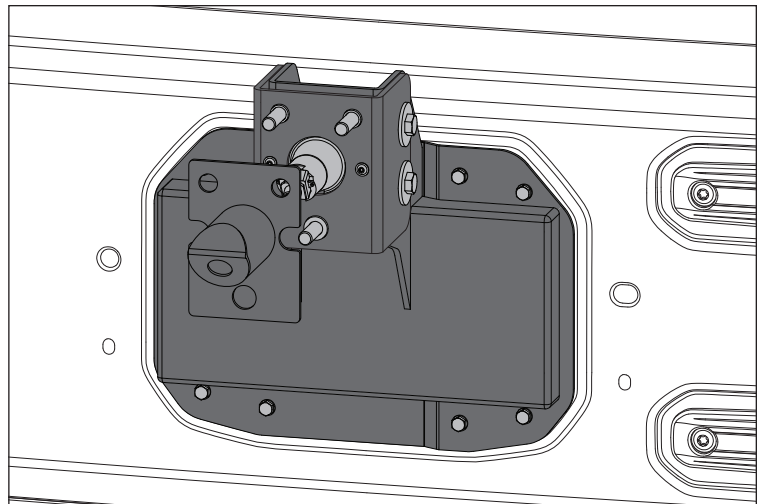
7. Install factory lug stud assembly in Stud Plate using factory hardware.



8. Install Stud Plate on Wheel Mount using supplied M12 hardware. Stud Plate can be installed in one of six configurations shown.



9. Install Camera Shield on factory lug stud assembly.



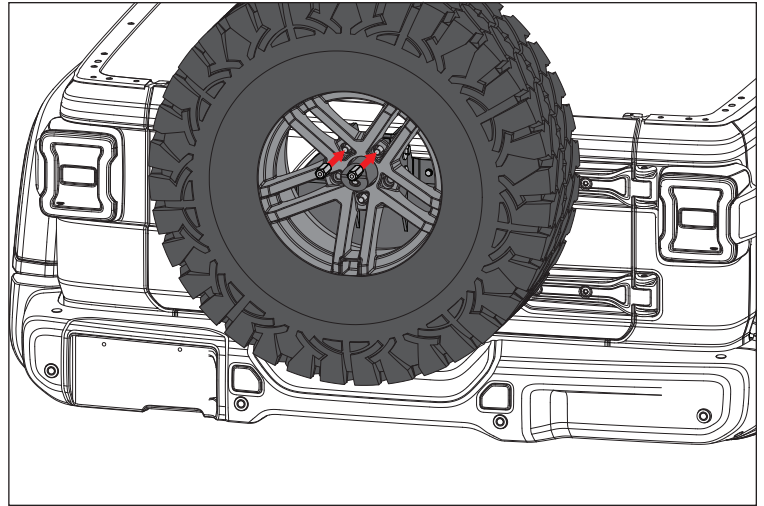


## Spartacus HD Tire Carrier - Wheel Mount, JL Wrangler

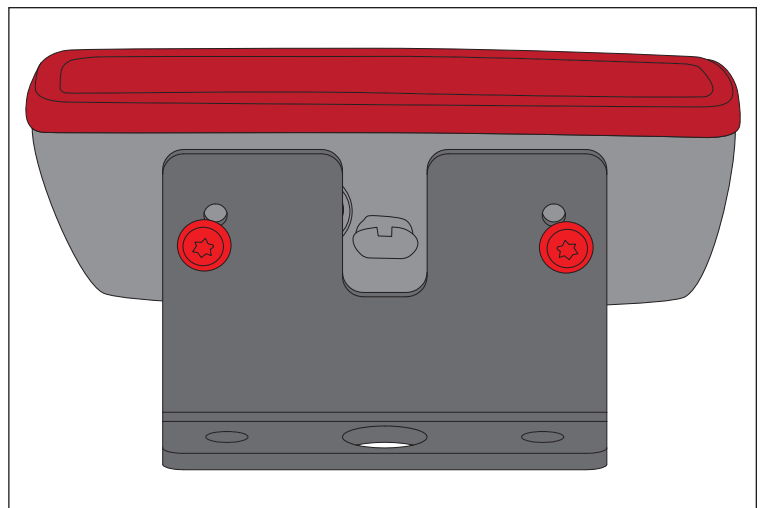
10. Install spare tire using two supplied Lug Nuts on top. Torque all lug nuts to factory specifications.

**CAUTION** Have another person help lift tire on wheel mount.

**WARNING** Failure to tighten lug nuts to proper torque specification could result in serious injury or property damage.



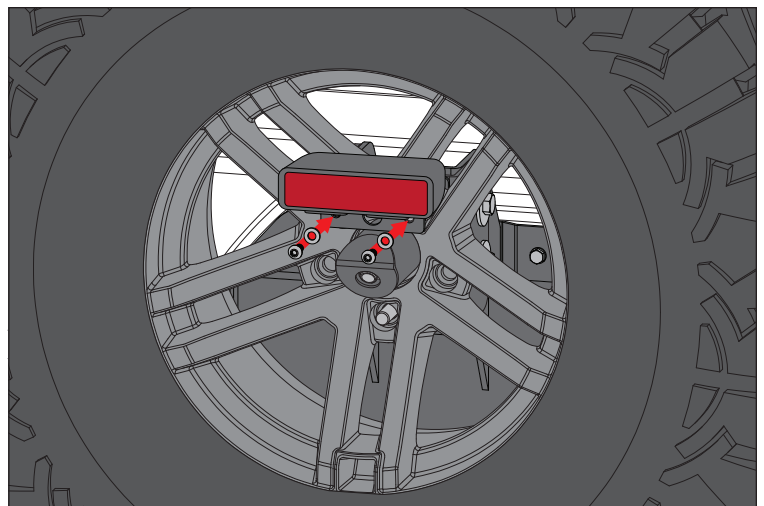
11. Install third brake light on Brake Light Mount using factory screws.



12. Plug in third brake light and attach assembly to supplied Lug Nuts using remaining M8 hardware and 5mm Hex Key.

**NOTICE** Keep 5mm Hex Key in vehicle to remove third brake light when spare is needed.

**WARNING** Check for signs of fatigue or loosening of hardware after off-roading. If loose, tighten before returning to the road.



Learn more about spare tire covers and carriers we have.