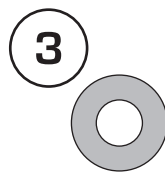
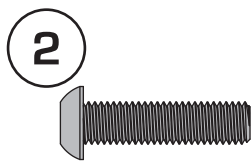
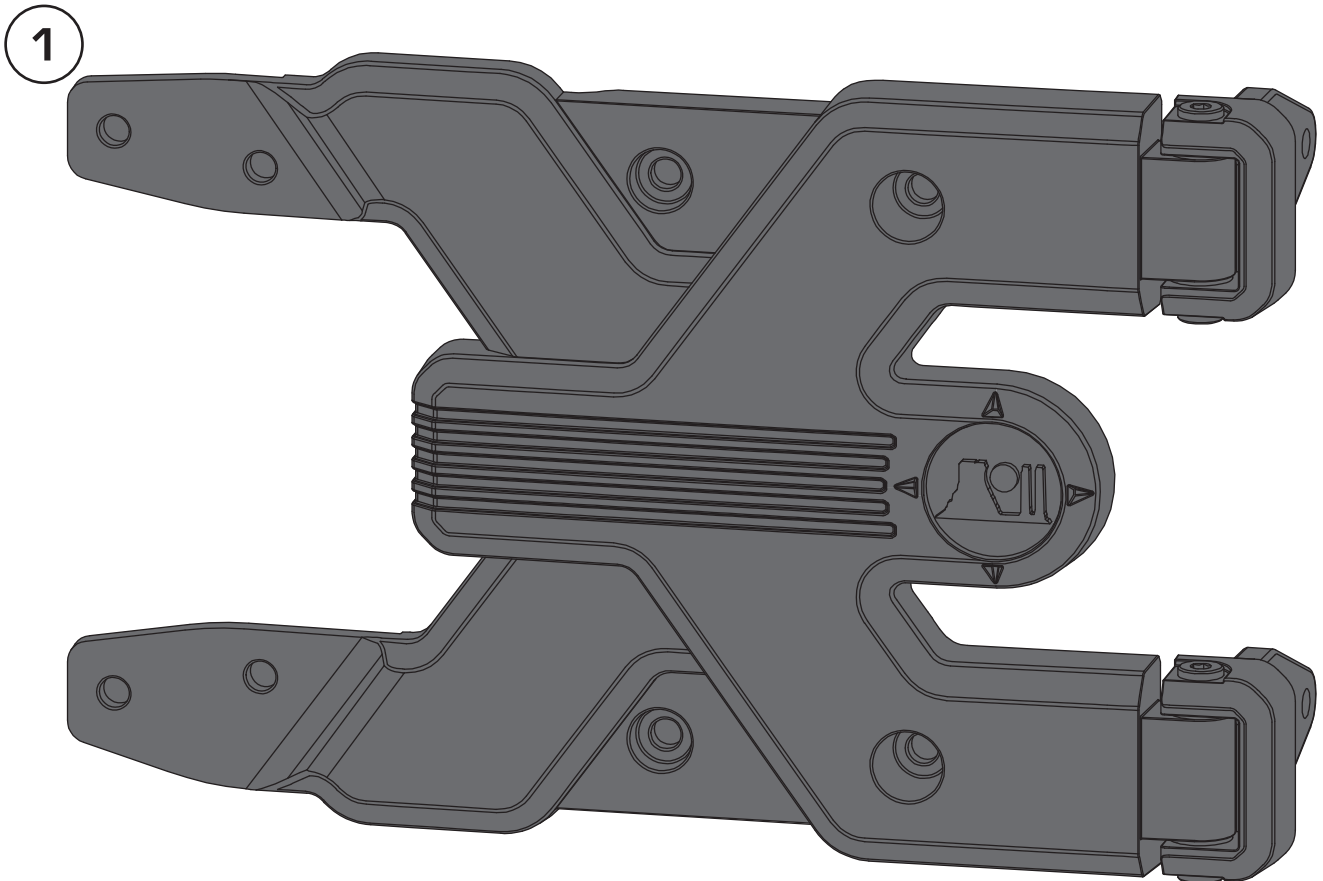


Spartacus HD Tire Carrier - Hinge Casting, JL Wrangler PATENT PENDING



Components

- 1. Spartacus Hinge Casting
- 2. M10 Bolt

- (1) 3. M10 Washer
- (4) 4. Spacer Plate

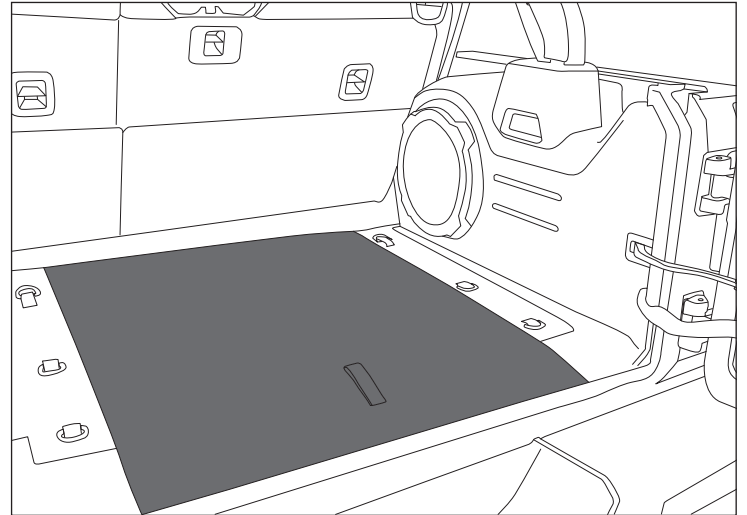
- (4)
- (2)

Spartacus HD Tire Carrier - Hinge Casting, JL Wrangler

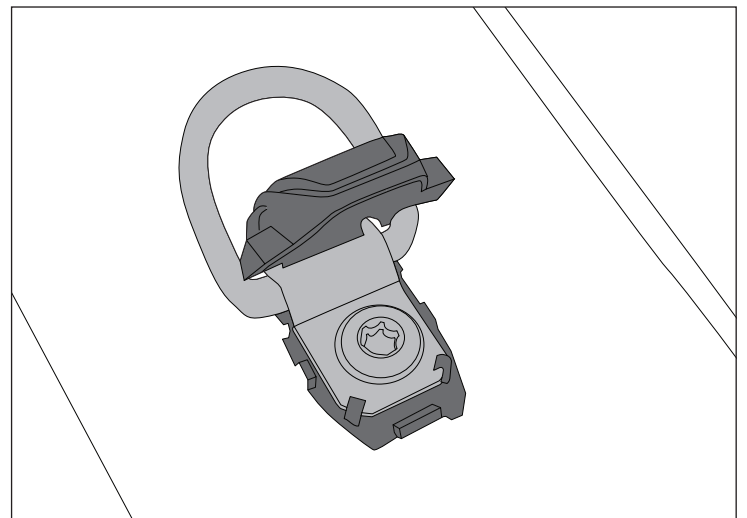
1. Remove center cargo flooring.

NOTICE

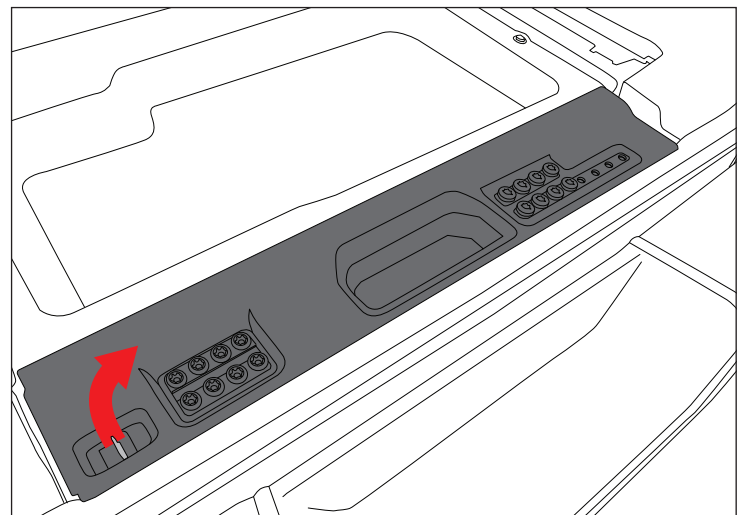
Images used throughout instructions are of 4 Door model. If installing on 2 Door model, factory components will be slightly different.



2. Remove passenger side tie downs using T40 Torx drive and remove carpeted panel.



3. Remove trim panel to expose factory jack and lug wrench.

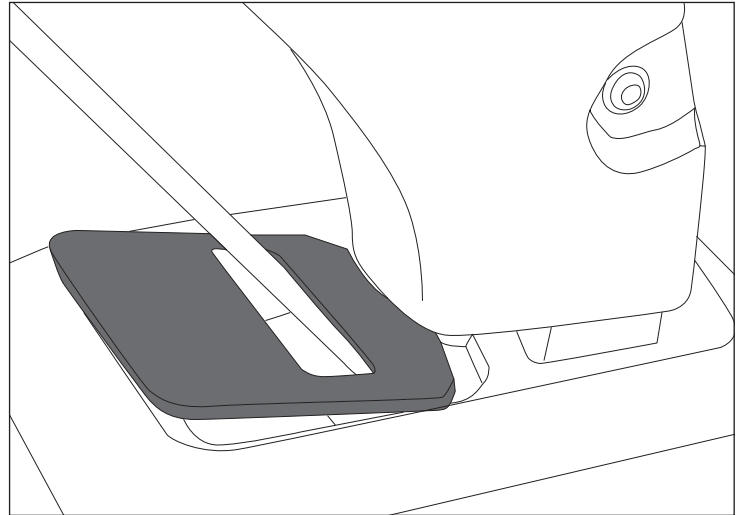


Spartacus HD Tire Carrier - Hinge Casting, JL Wrangler

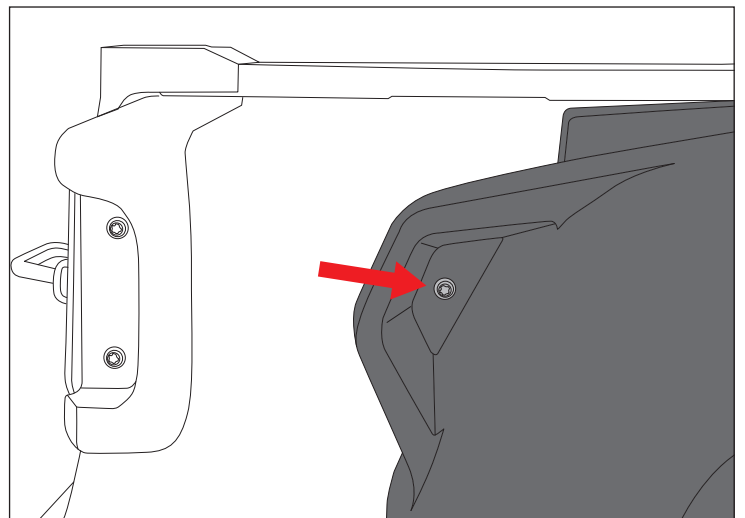
4. Remove seat belt retainer trim.

NOTICE

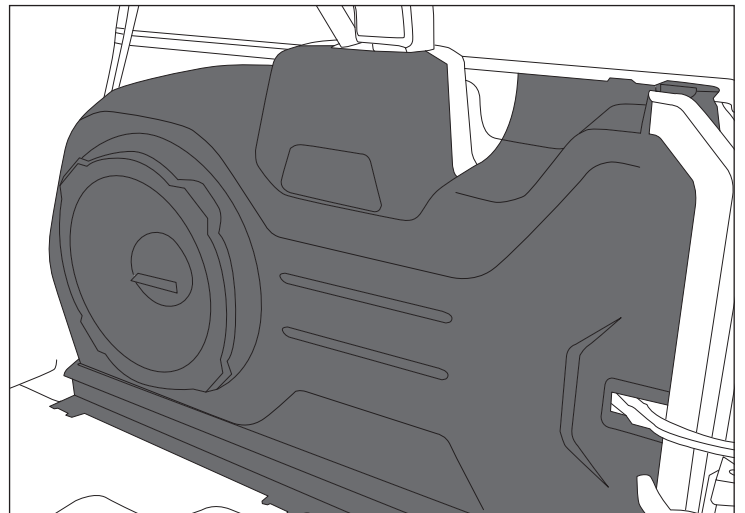
If installing on 2 Door Wrangler, skip to step 6. If installing on 4 Door Wrangler, proceed to step 5.



5. Remove screw by passenger side rear door using T25 Torx drive.

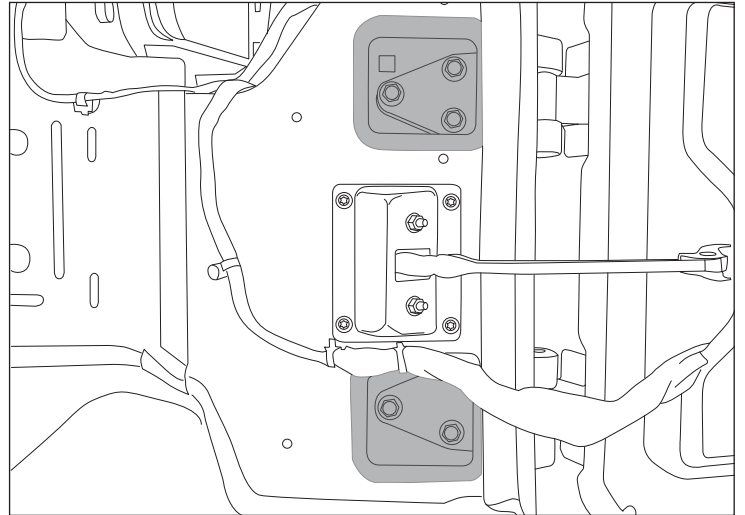


6. Starting toward front of vehicle, lightly pry trim panel out of place. Trim panel snap locations may vary between different models.



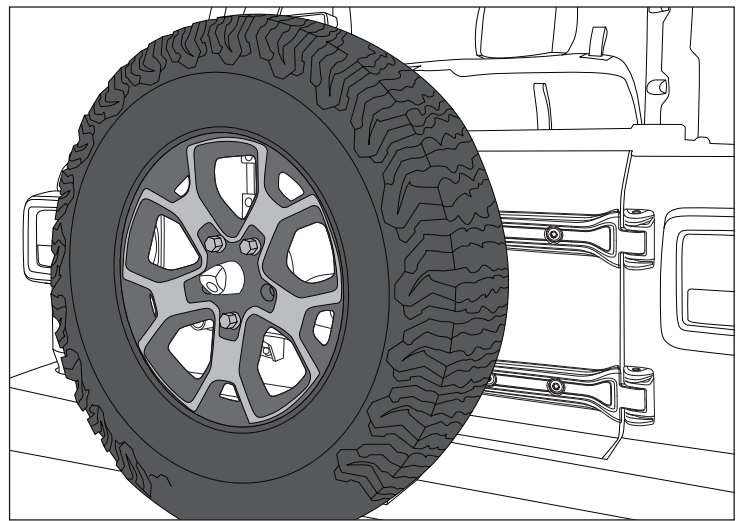
Spartacus HD Tire Carrier - Hinge Casting, JL Wrangler

7. Using razor blade, carefully remove painted stickers from body to reveal hinges. Set aside for later use.

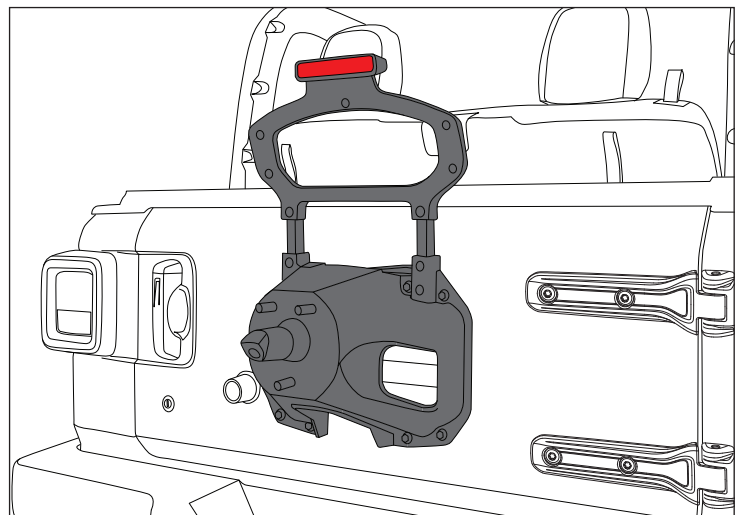


8. Close tailgate and remove spare tire.

CAUTION Have another person help lift tire on wheel mount.



9. Using 13mm socket, remove eight factory bolts securing spare tire mount and set it out of the way.

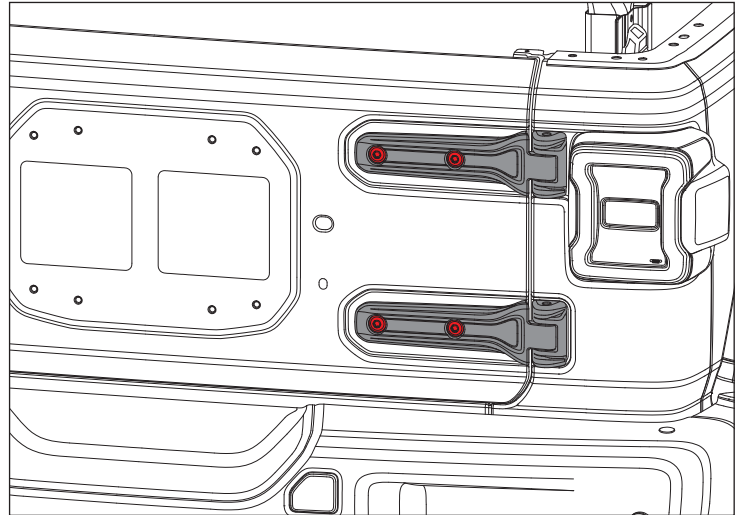


Spartacus HD Tire Carrier - Hinge Casting, JL Wrangler

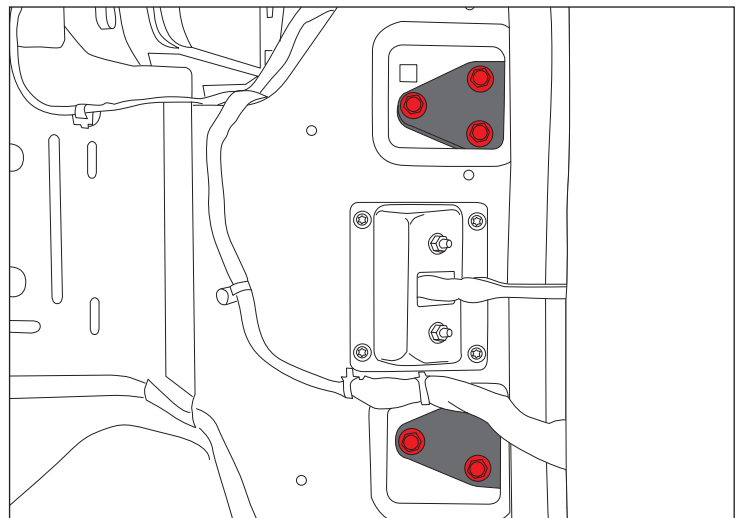
10. Using T55 Torx drive, remove four bolts securing factory hinges to tailgate.

NOTICE

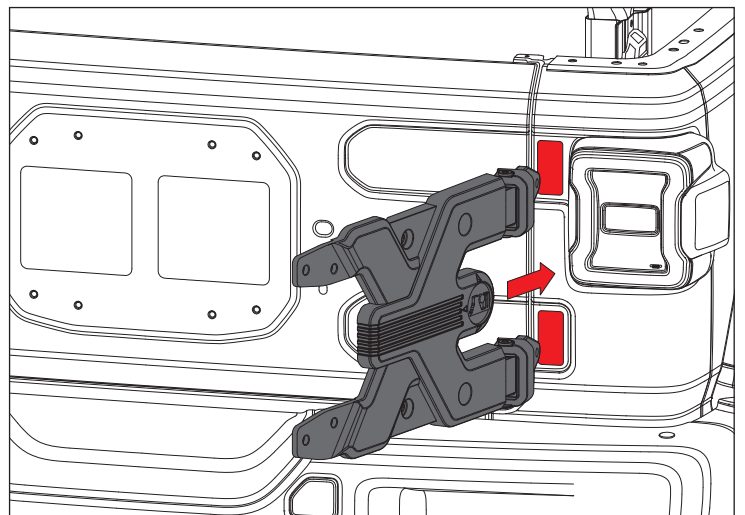
Ensure tailgate is securely latched and remains closed until Spartacus Hinge Casting is securely installed.



11. Without opening tailgate, remove six bolts securing factory hinges to body and remove hinges.

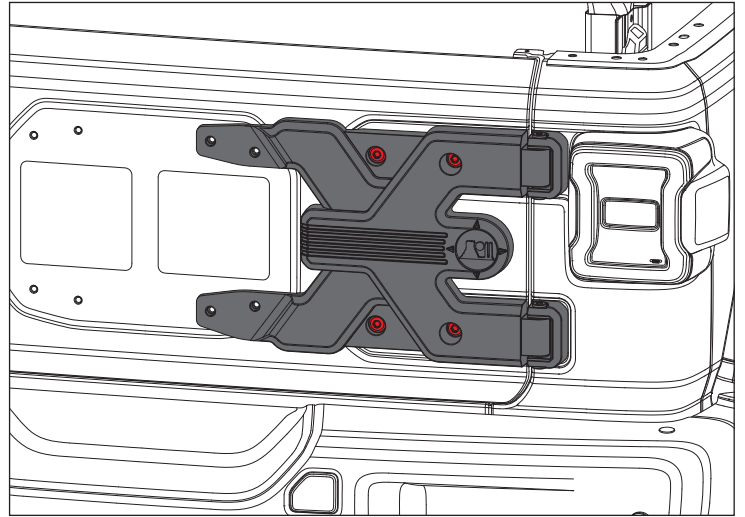


12. Insert Spartacus Hinge Casting in body openings and loosely install using six factory bolts removed in step 11.



Spartacus HD Tire Carrier - Hinge Casting, JL Wrangler

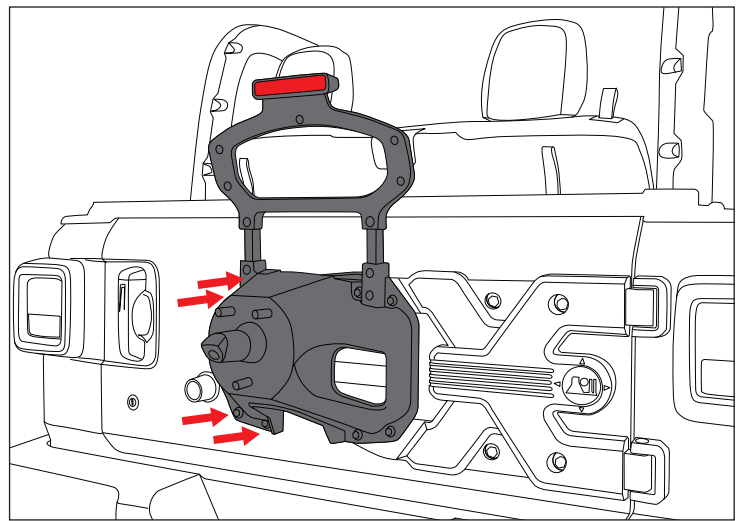
13. Close Spartacus Hinge Casting and press against tailgate. Install supplied M10 hardware in factory hinge mounting holes.



14. Install spare tire mount using factory hardware and supplied Spacer Plates on drivers side.

NOTICE

If installing Spartacus Wheel Mount (11546.57) along with Spartacus Hinge Casting, use of Spacer Plates is not required.

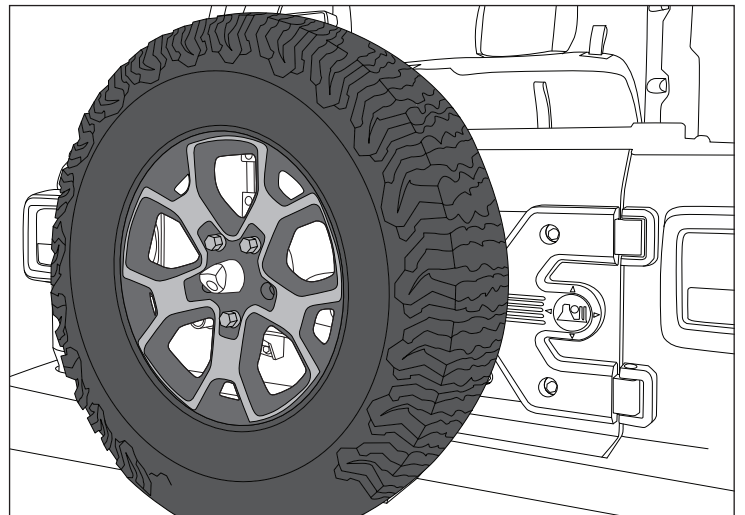


15. Tighten all mounting hardware and reinstall painted stickers removed in step 7.

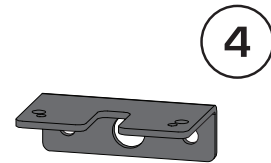
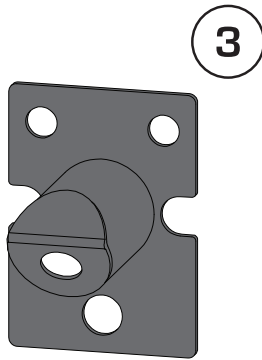
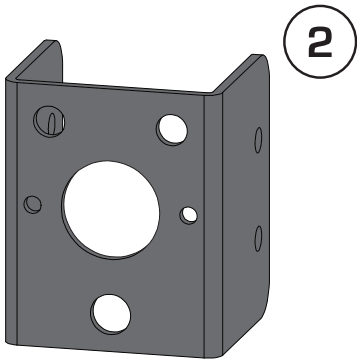
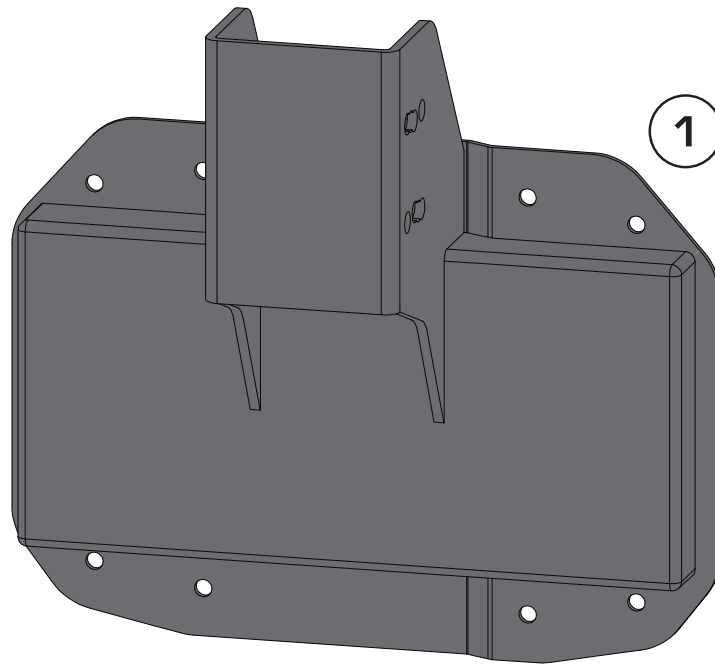
16. Reinstall spare tire and all factory trim components.

WARNING

Failure to tighten lug nuts to proper torque specification could result in serious injury or property damage.



Spartacus HD Tire Carrier - Wheel Mount, JL Wrangler



Components

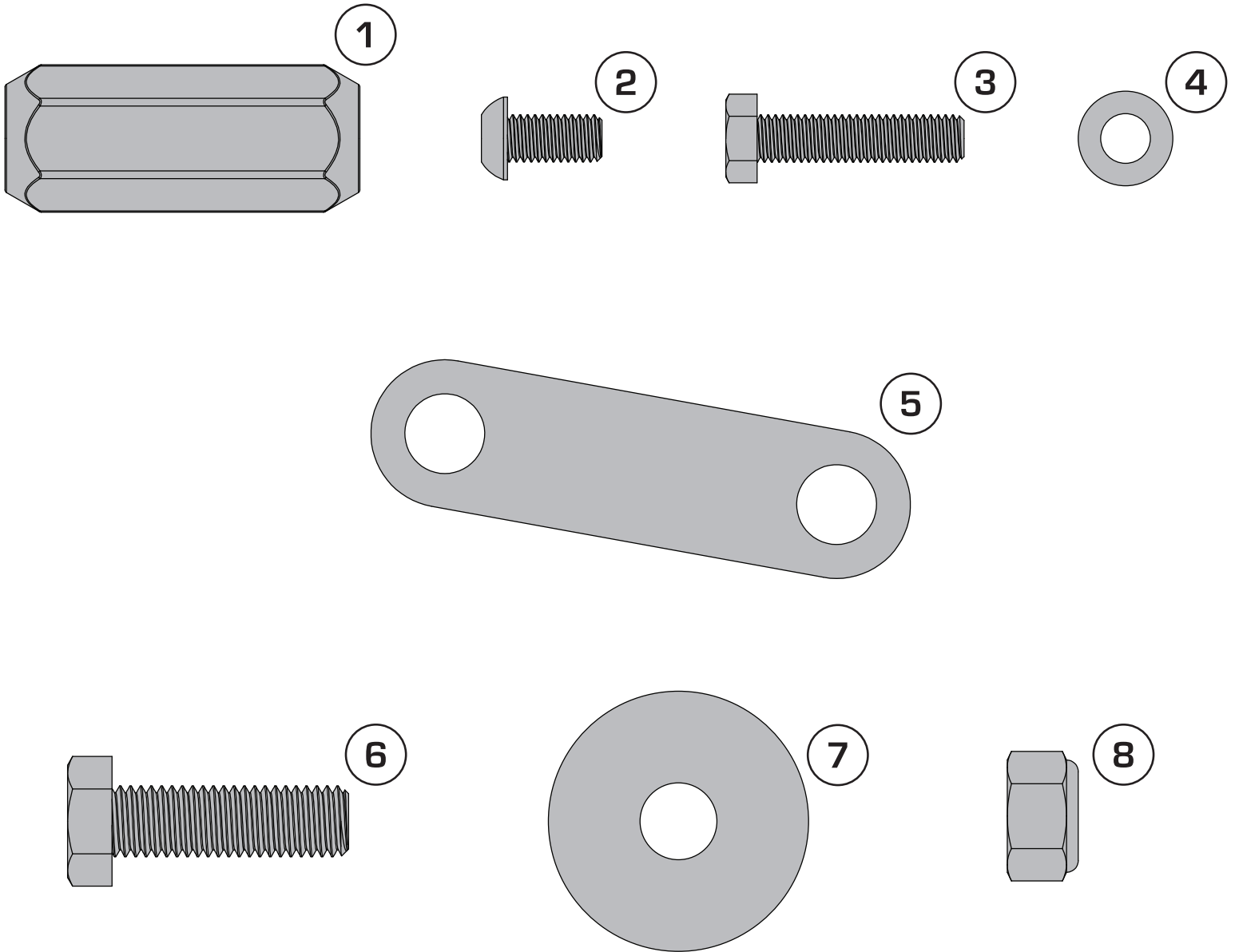
1. Wheel Mount
2. Stud Plate

(1) 3. Camera Shield (1)
(1) 4. Brake Light Mount (1)

ATTN: STATE OF CALIFORNIA CONSUMERS

⚠ WARNING: Cancer and Reproductive Harm

Spartacus HD Tire Carrier - Wheel Mount, JL Wrangler



Components

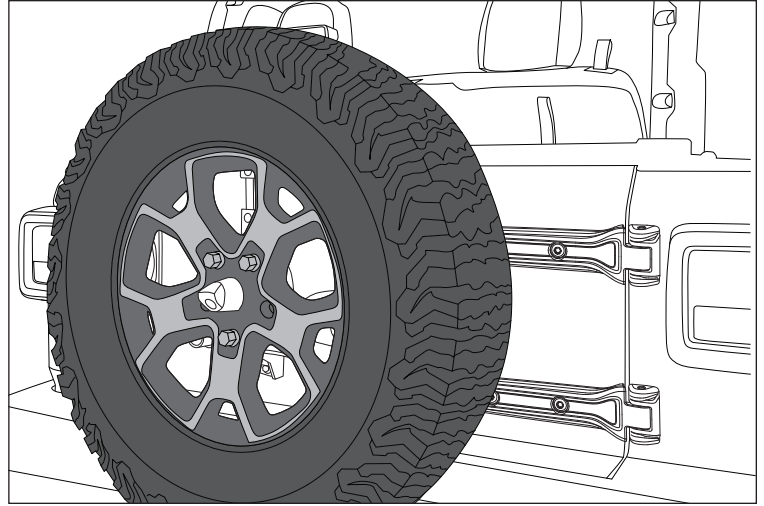
1. Lug Nut	(2)	5. Spacer Plate	(2)
2. M8 Button Head Bolt	(2)	6. M12 Hex Head Bolt	(4)
3. M8 Hex Head Bolt	(8)	7. M12 Washer	(8)
4. M8 Washer	(10)	8. M12 Lock Nut	(4)

Spartacus HD Tire Carrier - Wheel Mount, JL Wrangler

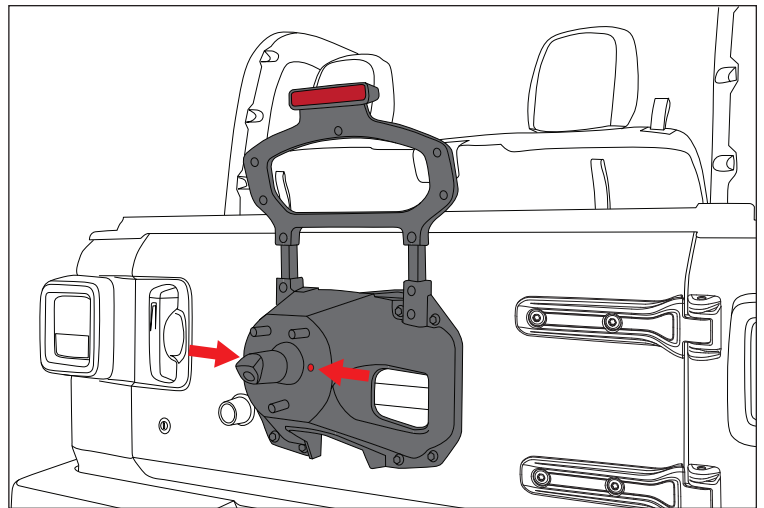
1. Remove spare tire.



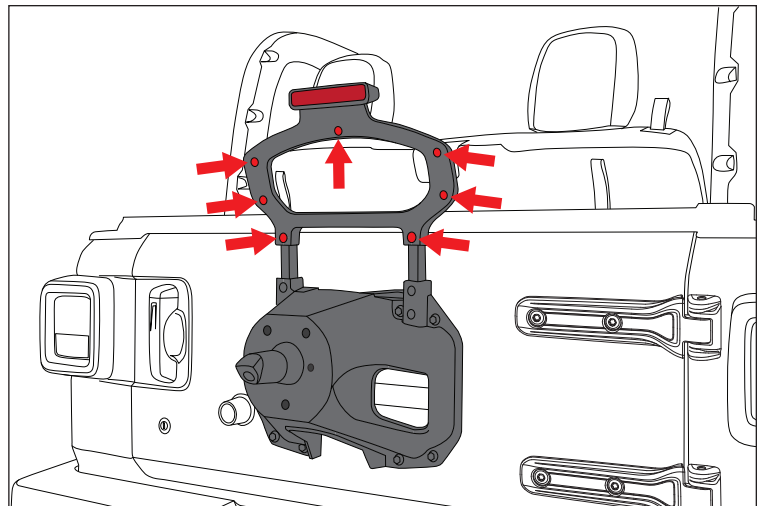
Have another person help lift tire off wheel mount.



2. Using T25 Torx drive, remove two screws securing lug stud assembly to factory tire carrier. Remove lug stud assembly, including back up camera, and set aside for later use.

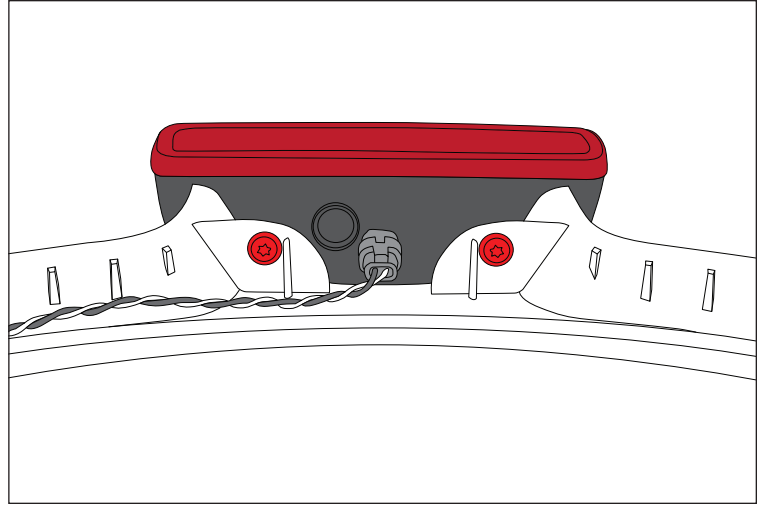


3. Using T25 Torx drive, remove seven screws securing cover plate to third brake light mount.

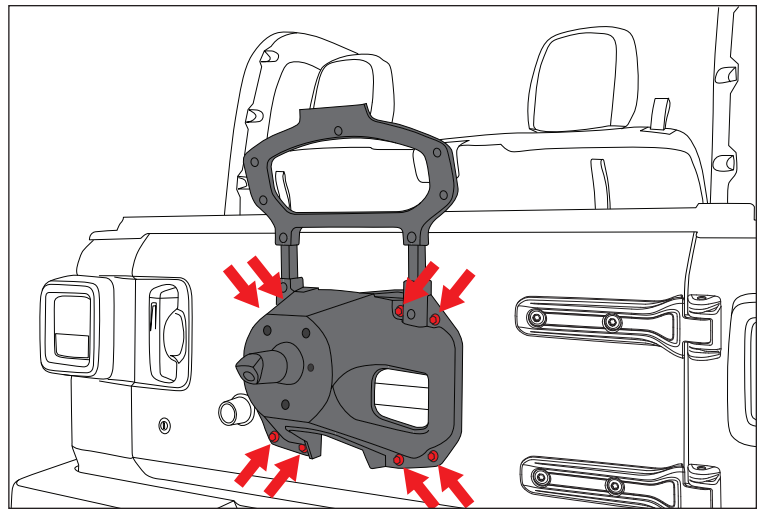


Spartacus HD Tire Carrier - Wheel Mount, JL Wrangler

4. Using T25 Torx drive, remove two screws securing third brake light and unplug light. Set screws and light aside for later use.



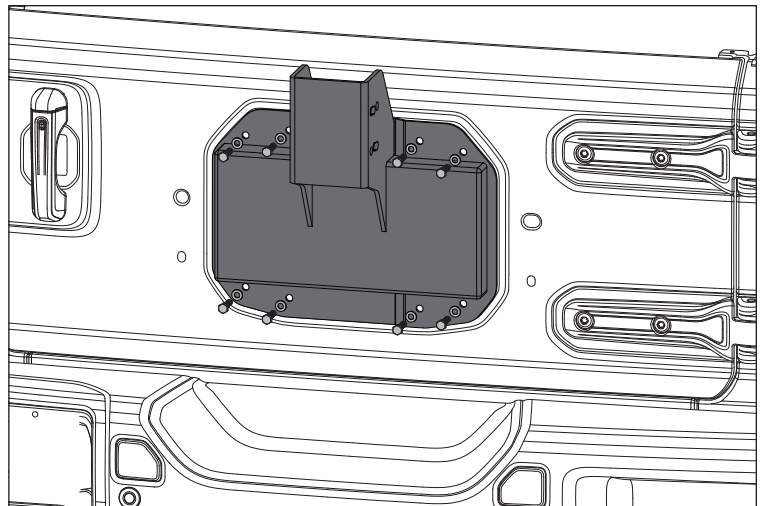
5. Using 13mm socket, remove eight factory bolts securing spare tire mount. Remove wires for third brake light and back up camera.



6. Install Wheel Mount using supplied M8 Hex Bolts, Washers, and Spacer Plates on passenger side.

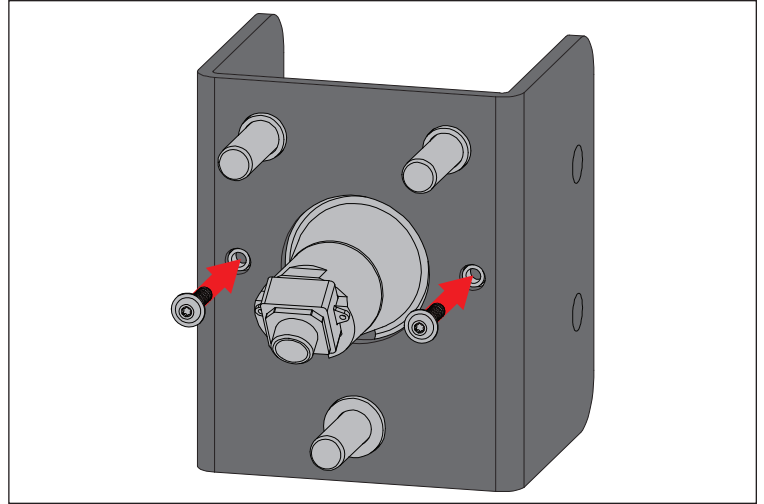
NOTICE

If installing Spartacus Hinge Casting (11546.56) along with Spartacus Wheel Mount, use of Spacer Plates is not required.

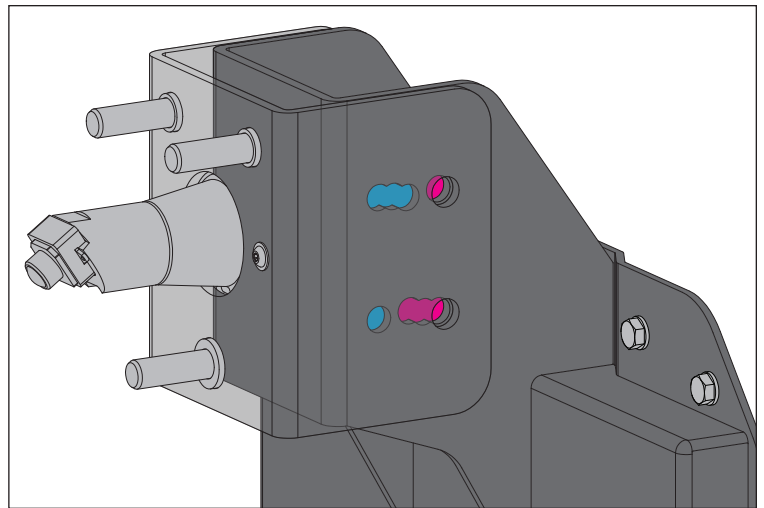


Spartacus HD Tire Carrier - Wheel Mount, JL Wrangler

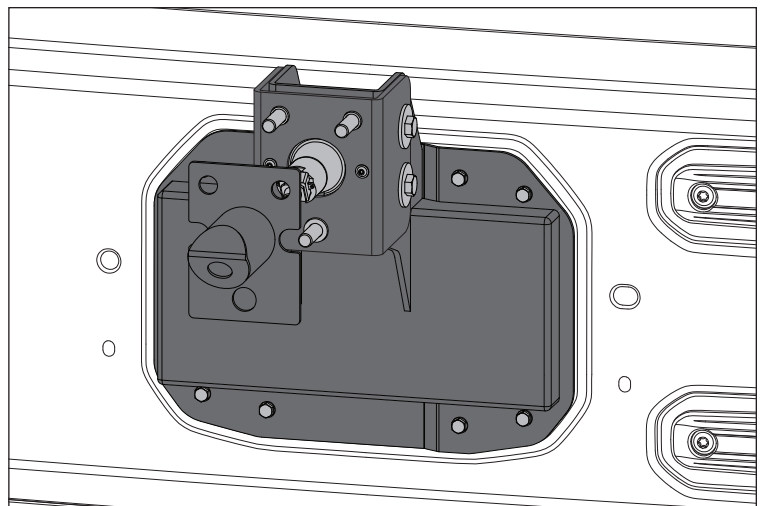
7. Install factory lug stud assembly in Stud Plate using factory hardware.



8. Install Stud Plate on Wheel Mount using supplied M12 hardware. Stud Plate can be installed in one of six configurations shown.



9. Install Camera Shield on factory lug stud assembly.

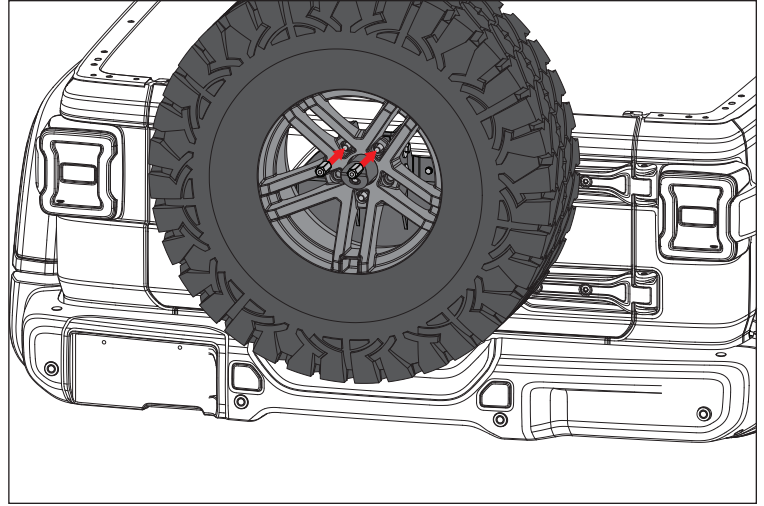


Spartacus HD Tire Carrier - Wheel Mount, JL Wrangler

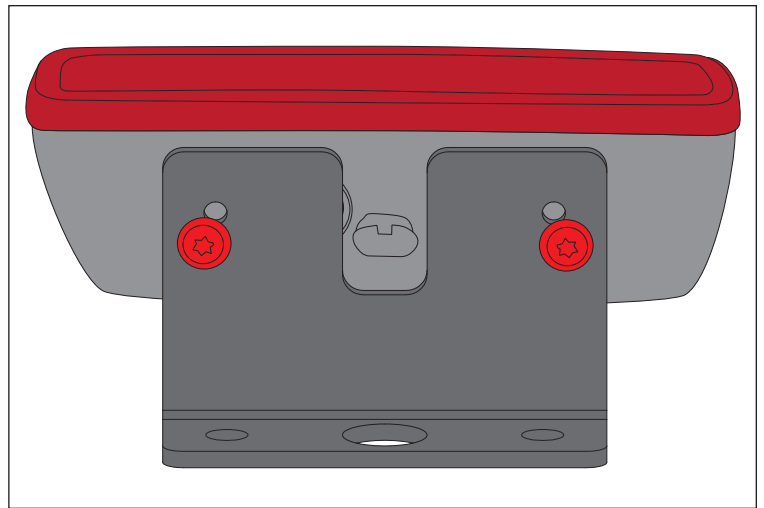
10. Install spare tire using two supplied Lug Nuts on top. Torque all lug nuts to factory specifications.

CAUTION Have another person help lift tire on wheel mount.

WARNING Failure to tighten lug nuts to proper torque specification could result in serious injury or property damage.



11. Install third brake light on Brake Light Mount using factory screws.



12. Plug in third brake light and attach assembly to supplied Lug Nuts using remaining M8 hardware and 5mm Hex Key.

NOTICE Keep 5mm Hex Key in vehicle to remove third brake light when spare is needed.

WARNING Check for signs of fatigue or loosening of hardware after off-roading. If loose, tighten before returning to the road.

