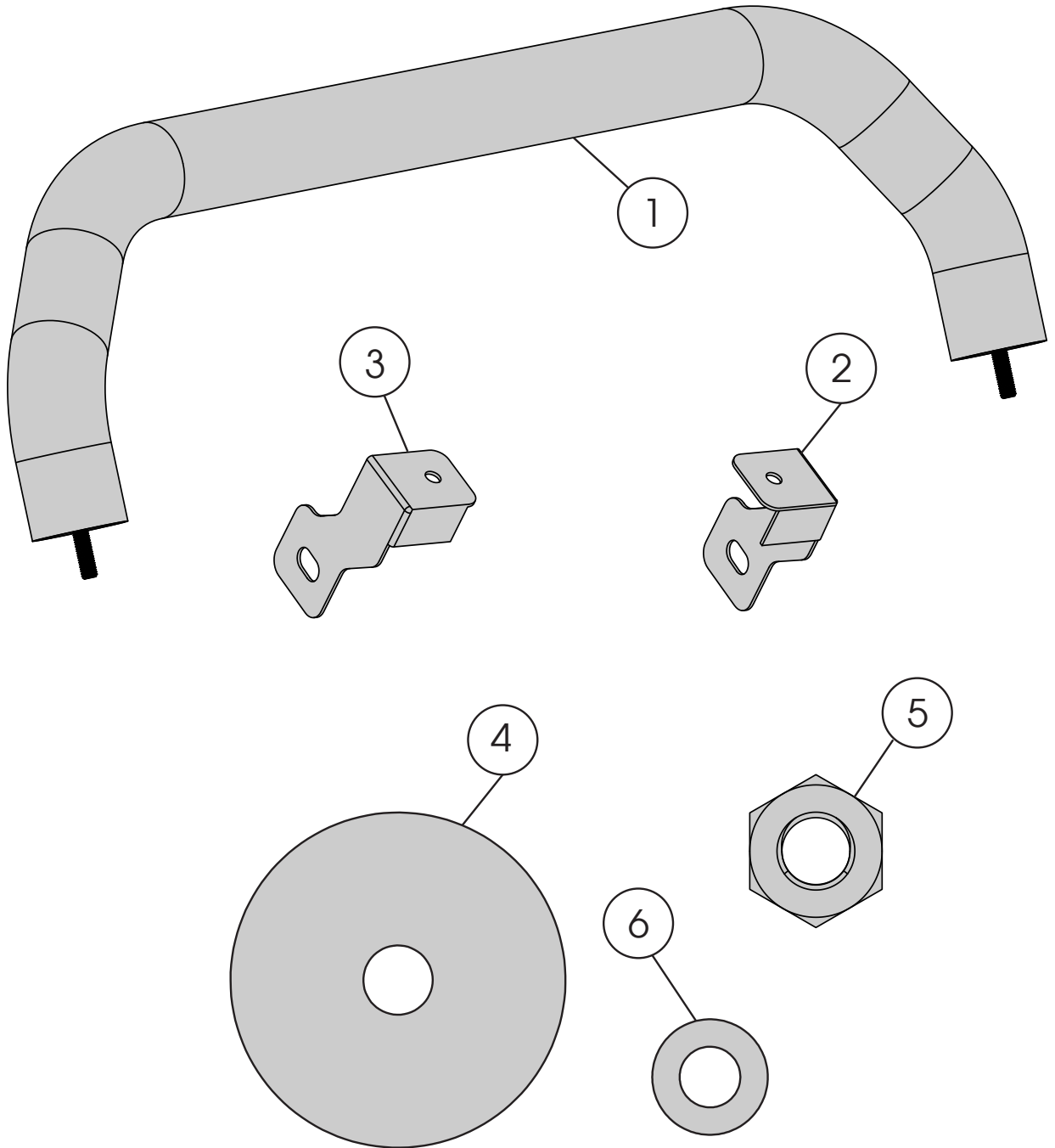


JL Spartacus Stamped Front Bumper Override



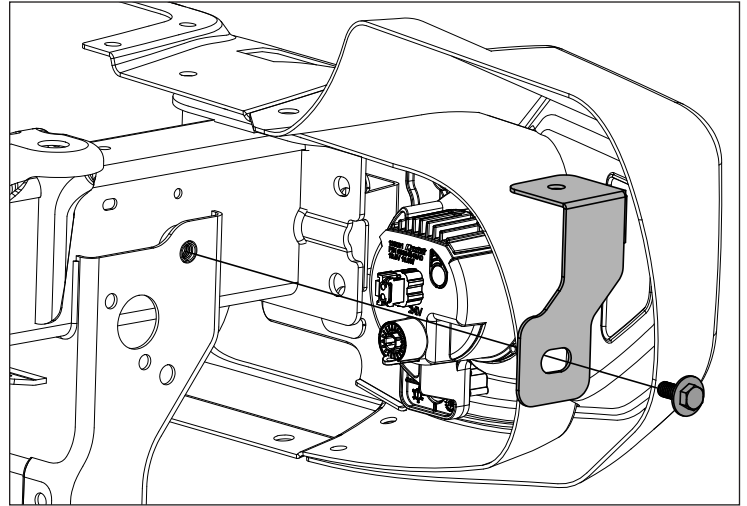
Components

- | | | | |
|-------------------------|-----|---------------|-----|
| 1. Override | (1) | 4. Gasket | (2) |
| 2. Support Bracket, LH | (1) | 5. M10 Nut | (2) |
| 3. Override Bracket, RH | (1) | 6. M10 Washer | (2) |

JL Spartacus Stamped Front Bumper Override

NOTICE Complete steps 2-8 on Spartacus Stamped Front Bumper instruction.

1. Remove OE Outer Frame Bracket Bolt. Using removed OE bolt, loosely attach Support Bracket to vehicle's frame.



2. Align Gasket with mounting holes in top of Stamped Bumper. Using supplied M10 hardware, attached Override to Spartacus Front Bumper. Tighten all loose hardware.

