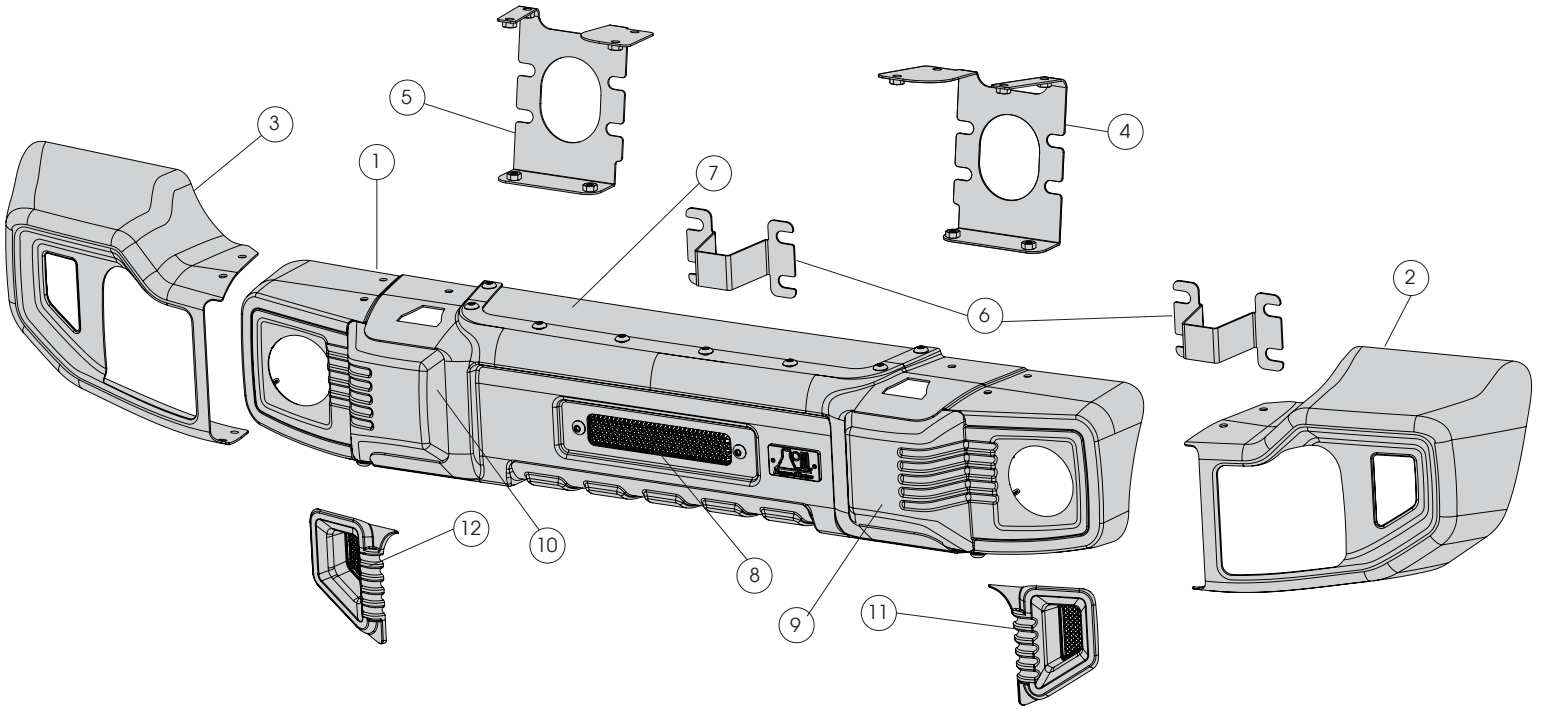


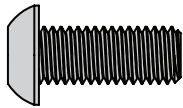


JL Spartacus Stamped Front Bumper Patent No. D760133, D775013, D800036, & D776582

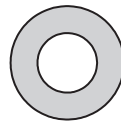


Components

1. Bumper Center Section	(1)	7. Winch Delete Plate	(1)
2. Bumper End, LH	(1)	8. Fairlead Cover	(1)
3. Bumper End, RH	(1)	9. Plastic Cover, LH	(1)
4. Bumper Mount Bracket, LH	(1)	10. Plastic Cover, RH	(1)
5. Bumper Mount Bracket, RH	(1)	11. Plastic Insert, LH	(1)
6. Stanchion	(2)	12. Plastic Insert, RH	(1)



M10 Button Head Bolt (24)



M10 Plastic Flat Washer (24)



M10 Hex Nut (8)



Thread-Forming Screw (8)



M4 Flat Washer (10)



M4 Lock Nut (10)



Coil Spring (2)



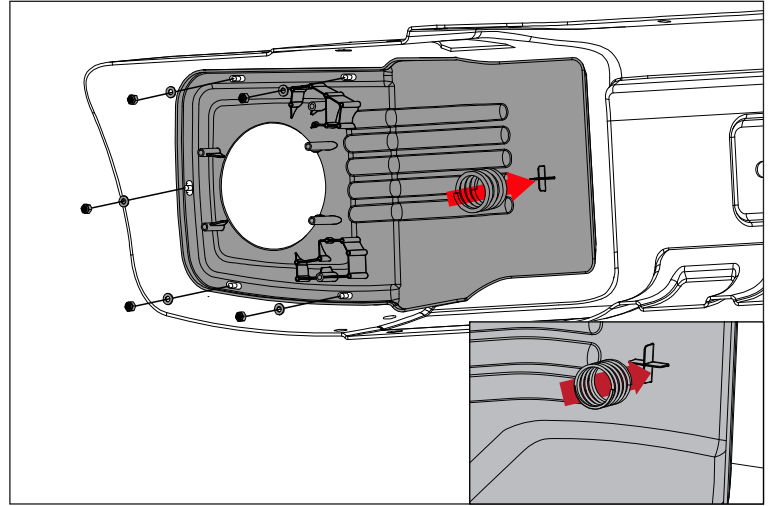
JL Spartacus Stamped Front Bumper Patent No. D760133, D775013, D800036, & D776582

1. Disconnect fog lights from vehicle and remove factory bumper, lower air dam, plastic cover panel, and tow hooks. Remove fog light housing from factory bumper.

NOTICE If installing Winch Plate (part# 11543.16) or Override (part# 11544.22), stop here and follow their instructions.

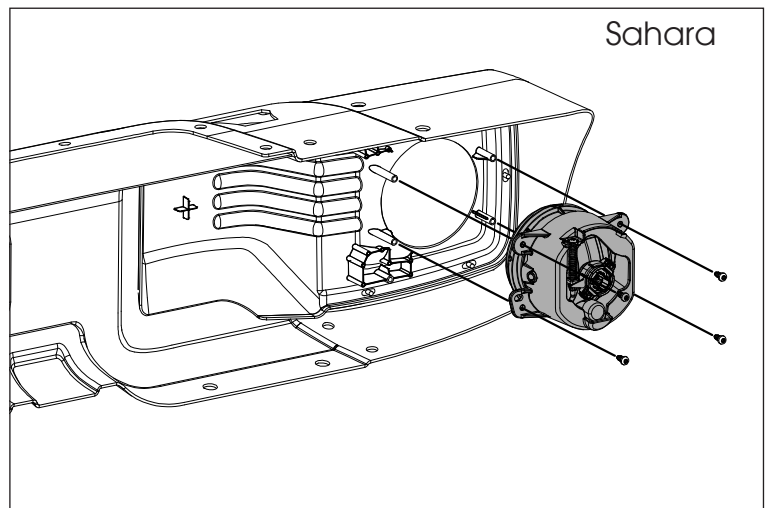
2. Install Plastic Covers to Bumper Center Section using M4 Lock Nuts and Washers

3. Press Coil Spring onto molded cross feature of Plastic Covers.

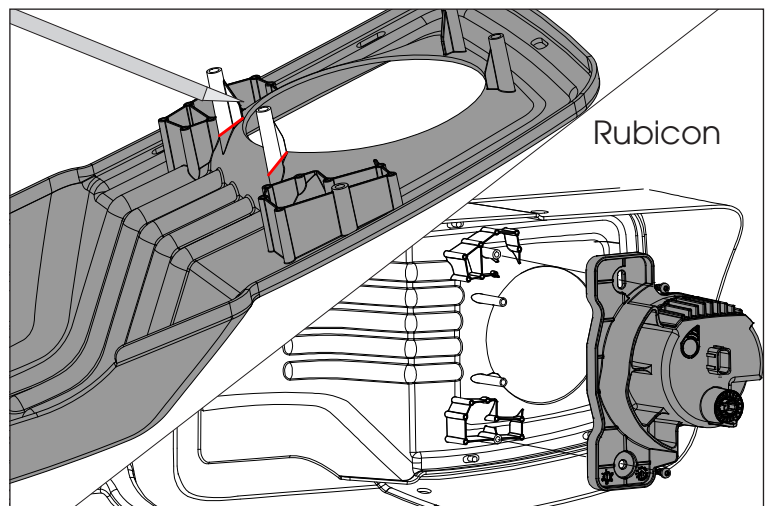


4. Install Fog Lights

Sahara Models: Install fog light housing to bosses in Plastic Cover using supplied Thread Forming Screws. Do not overtighten.



Rubicon Models: Cut inner plastic bosses along shown line using dremel or hobby knife. Install fog light housing to bosses in Plastic Cover using supplied Thread Forming Screws. Do not overtighten.

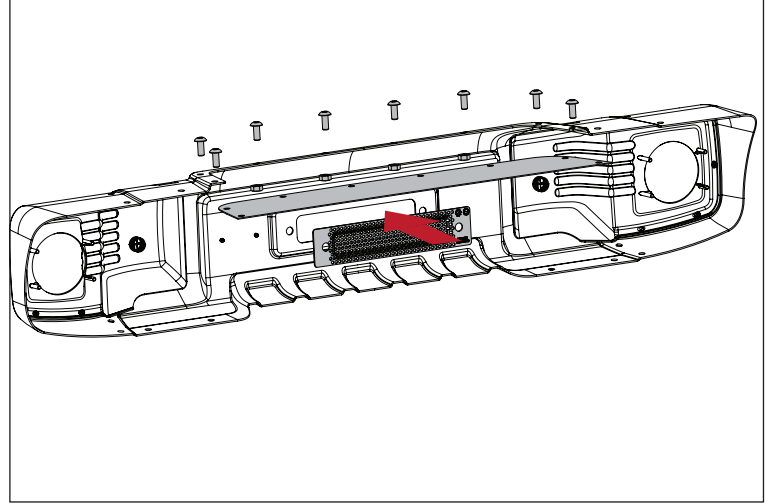


NOTICE Sport Models will need new fog lights or fog light brackets: Rugged Ridge part # 12407.16 (Quantity 2) Mopar part#'s 68304048AD, 68304049AD, or 68298651AA (Quantity 2)

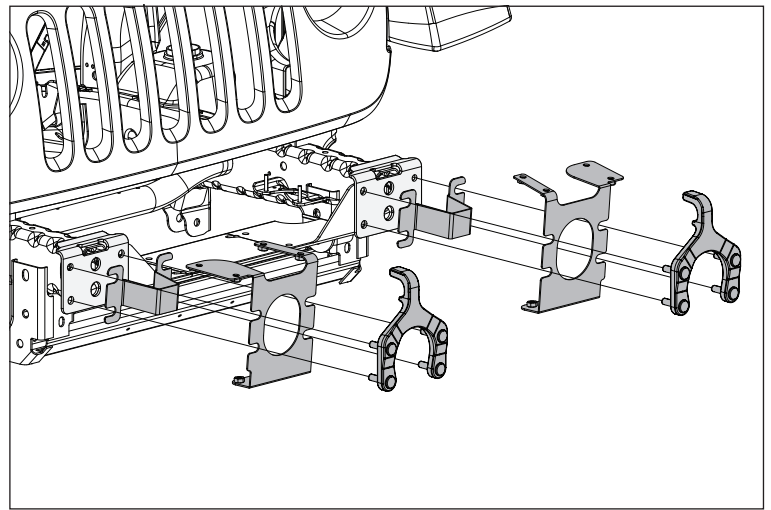


JL Spartacus Stamped Front Bumper Patent No. D760133, D775013, D800036, & D776582

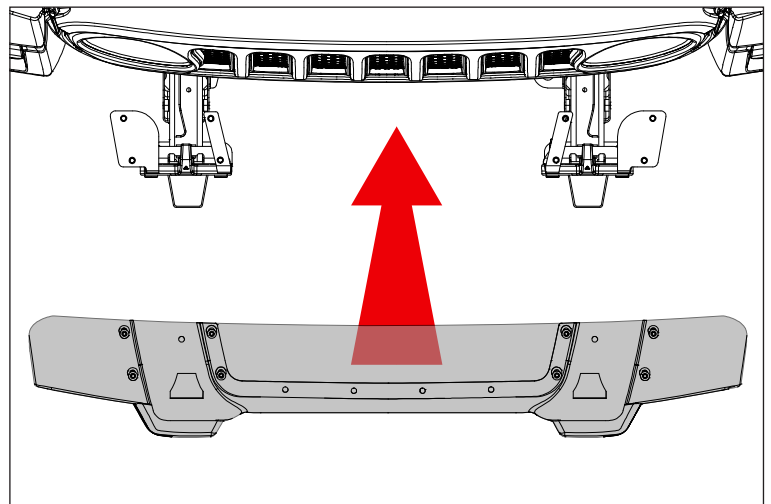
5. If not installing a winch, attached Fairlead Cover and Winch Delete Plate with M10 hardware.



6. Place Stanchion, Bumper Mount Bracket, and factory Tow Hook on frame horns. Using OE Nuts, loosely attach.

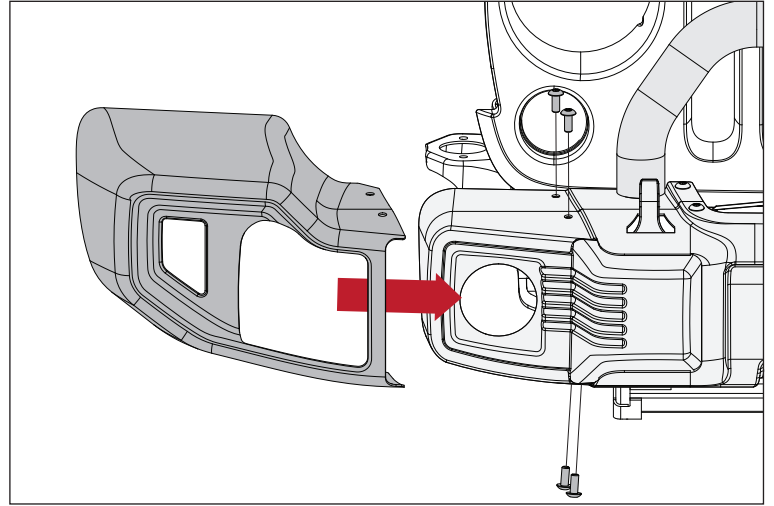


7. Position Bumper Center Section to accept factory Tow Hooks and lower into place on frame rails. Align with holes in Bumper Mount Brackets and loosely attach with M10 Button Head Bolt and Plastic Flat Washers.

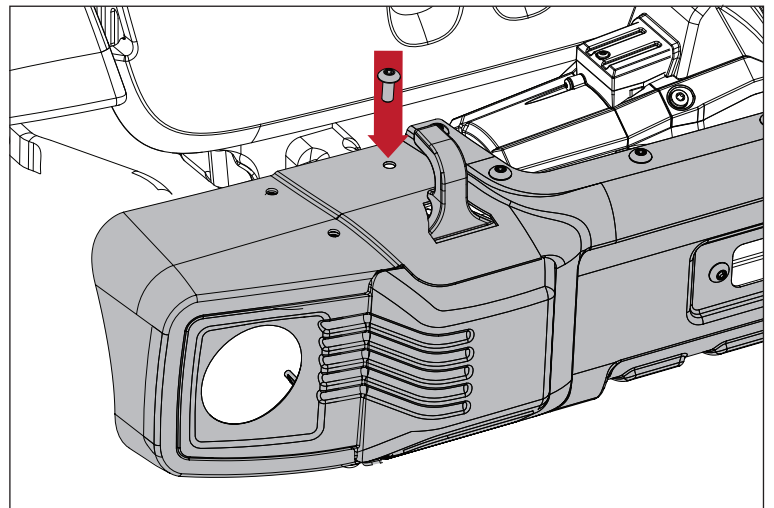


JL Spartacus Stamped Front Bumper Patent No. D760133, D775013, D800036, & D776582

8. Install Bumper Ends, aligning mounting points of Bumper Ends, Center Section, and Mounting Bracket, using supplied M10 Button Head Bolts and Plastic Flat Washers.



9. If not installing an Override, attached M10 Button Head Bolts, Plastic Flat Washer, and Hex Nut in hole next to Factory Tow Hook.



10. Snap Bumper Insert into window of Bumper End.

11. Adjust and tighten all bolts.

12. Reconnect fog lights to vehicle.

