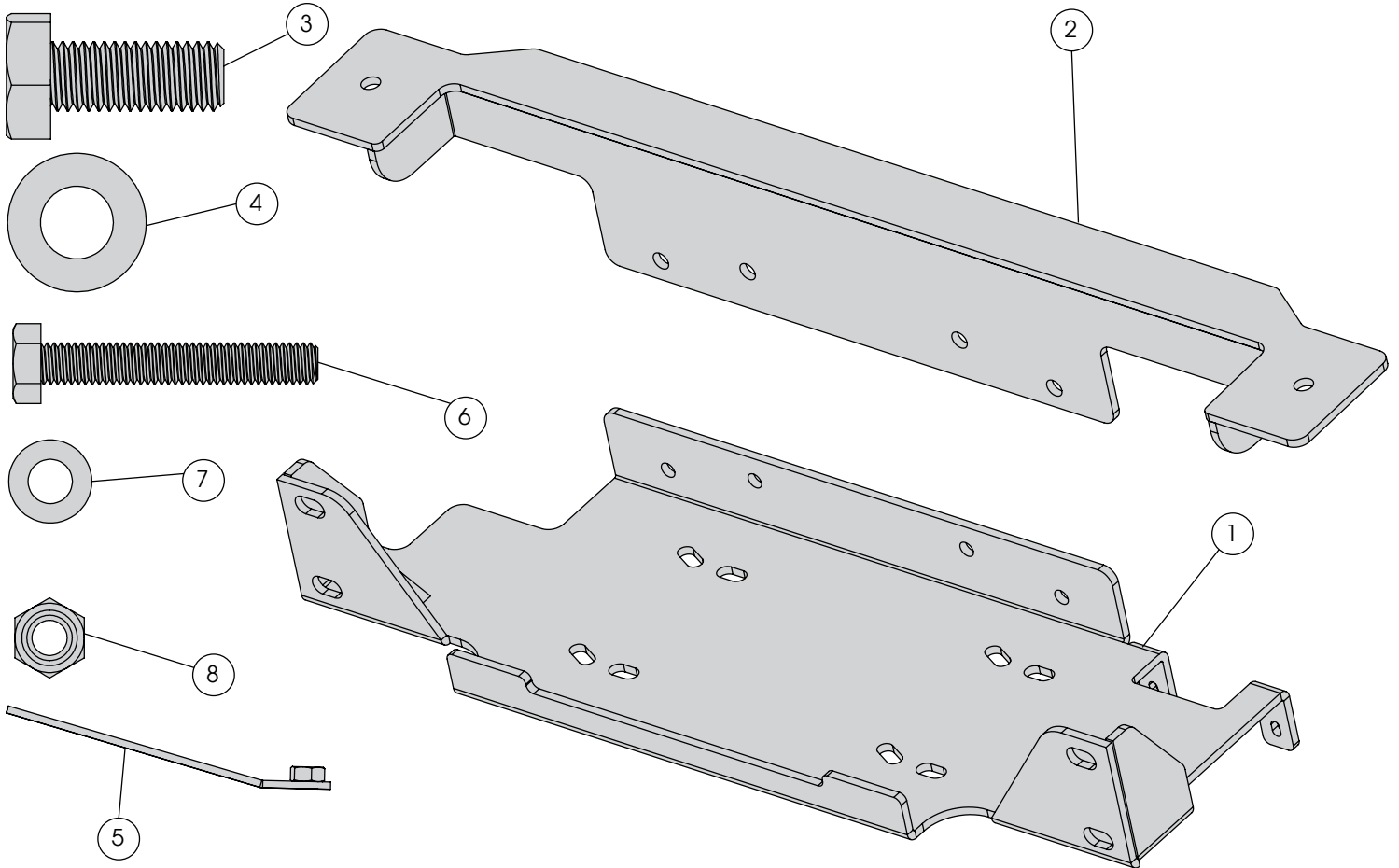




JK Winchplate for Mopar Stamped Steel Bumper



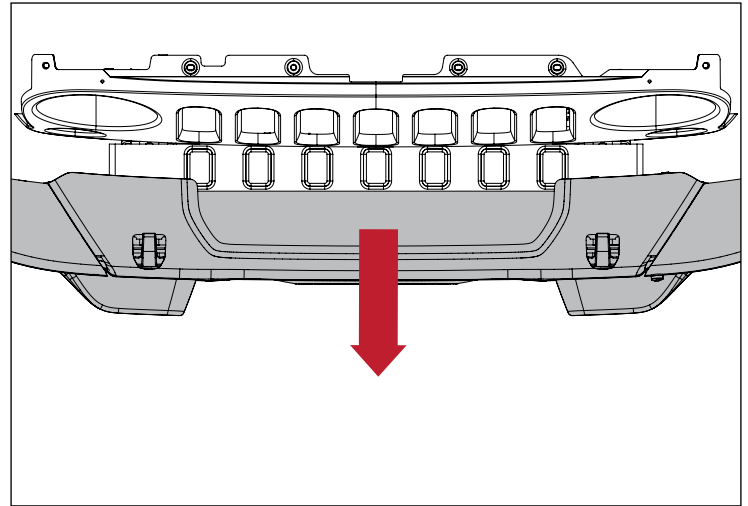
Winch Plate Components

- | | |
|--------------------|-----|
| 1. Bottom Plate | (1) |
| 2. Top Plate | (1) |
| 3. M10 Hex Bolt | (6) |
| 4. M10 Flat Washer | (6) |
| 5. M10 Nutplate | (2) |
| 6. M6 Hex Bolt | (2) |
| 7. M6 Flat Washer | (2) |
| 8. M6 Lock Nut | (2) |

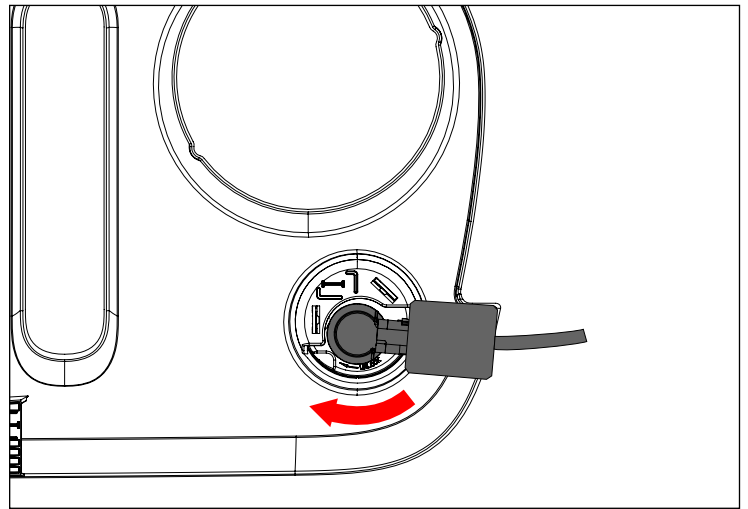


JK Winchplate for Mopar Stamped Steel Bumper

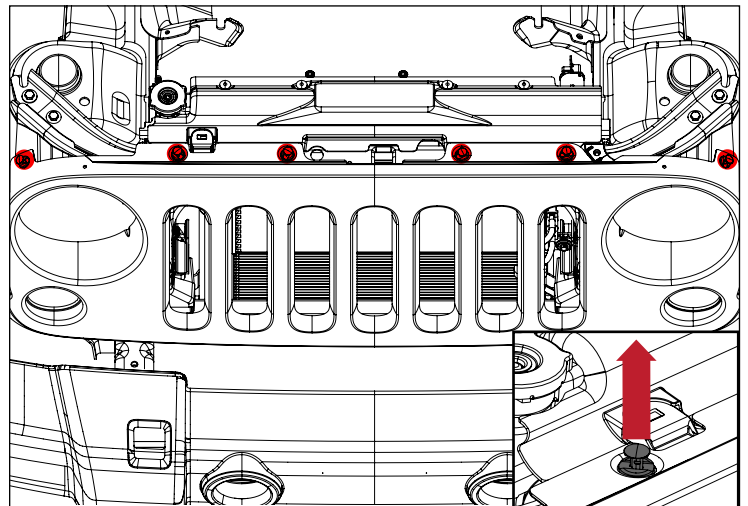
1. Remove factory bumper and skidplate.



2. Disconnect turn signal from behind grille. Rotate bulb assembly down and pull out of light housing.



3. Raise hood and remove (6) plastic fasteners on top of grille. First pull up on center pin, then pull up on entire plastic retainer assembly (these will be reused in later steps).

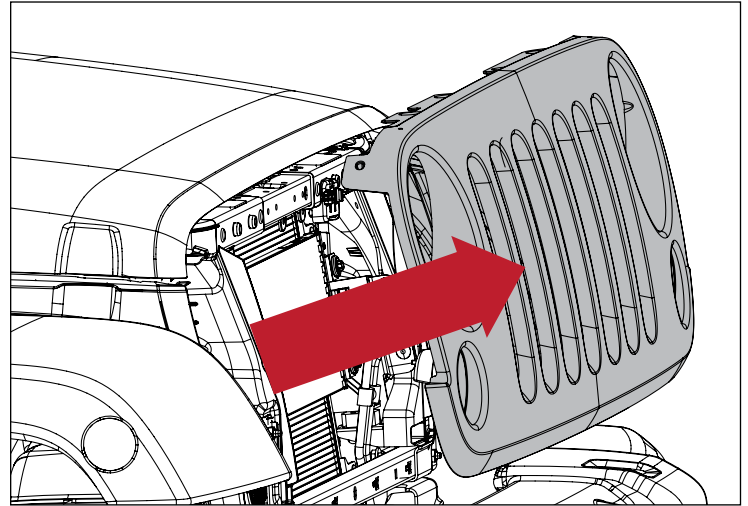




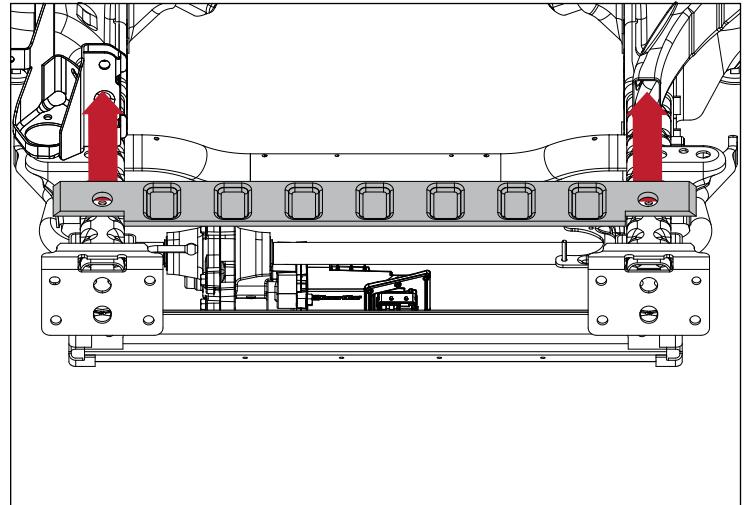
OMIX-ADA, Inc.

JK Winchplate for Mopar Stamped Steel Bumper

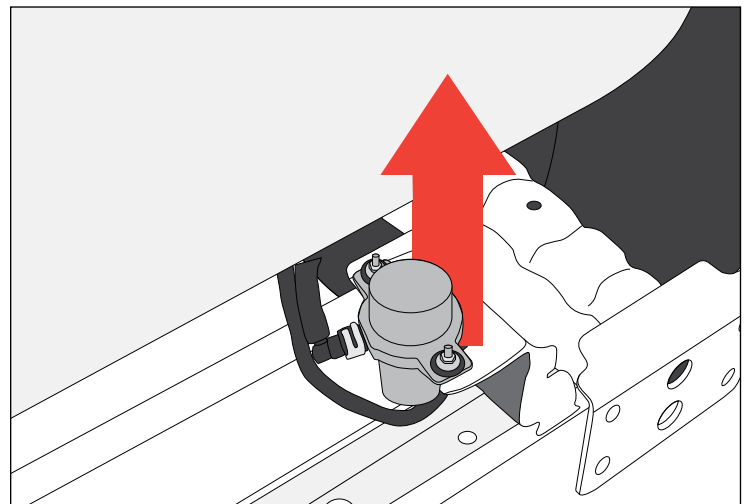
4. Pull bottom of grille away from vehicle to disengage metal clips on bottom rear of grille. Remove factory grille from vehicle.



5. Remove factory plastic closeout panel by releasing the plastic fasteners that attach to each frame rail.



6. Unbolt and remove factory vacuum pump. Retain factory bolts.

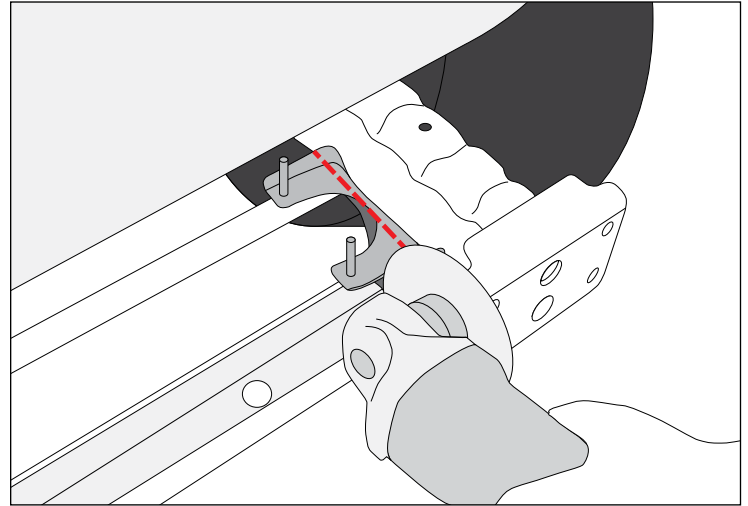




JK Winchplate for Mopar Stamped Steel Bumper

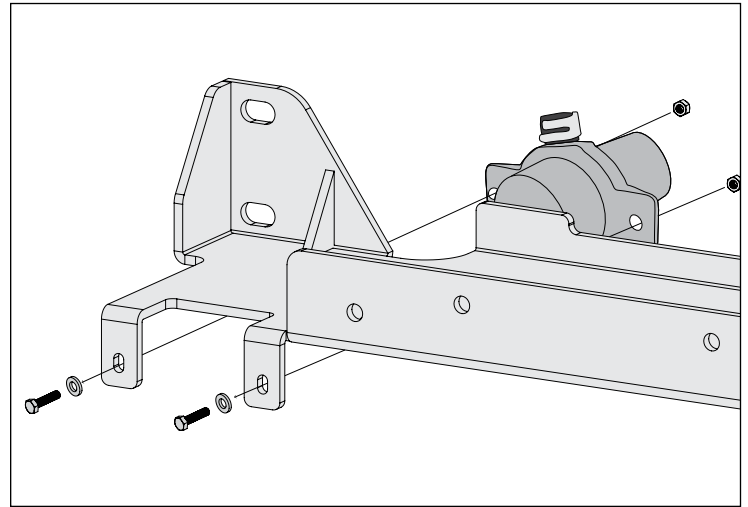
7. Using cutoff wheel, remove both tabs from mounting bracket. Remove as much material as possible.

8. Coat exposed metal with rust-inhibiting black paint.



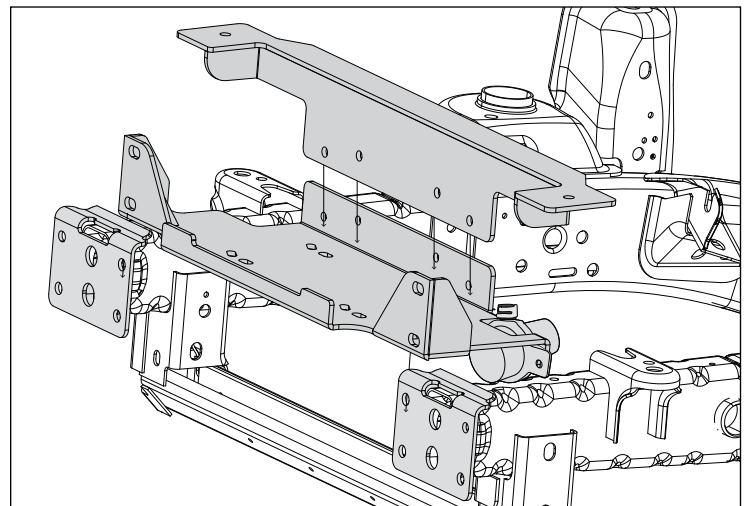
9. Disconnect hose retainer clips from vacuum pump and remove zip ties holding air lines.

10. Attach vacuum pump to Winch Plate using M6 Hex Bolts, Flat Washers, and Lock Nuts supplied with Winch Plate.



11. Install Winch Plate by first placing Bottom Plate between frame horns.

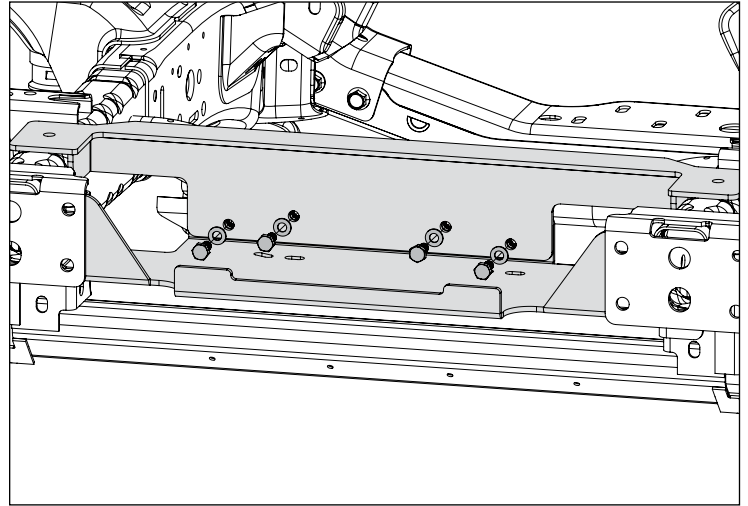
12. Position Top Plate onto frame horns with rear flange located forward of Bottom Plate rear flange.



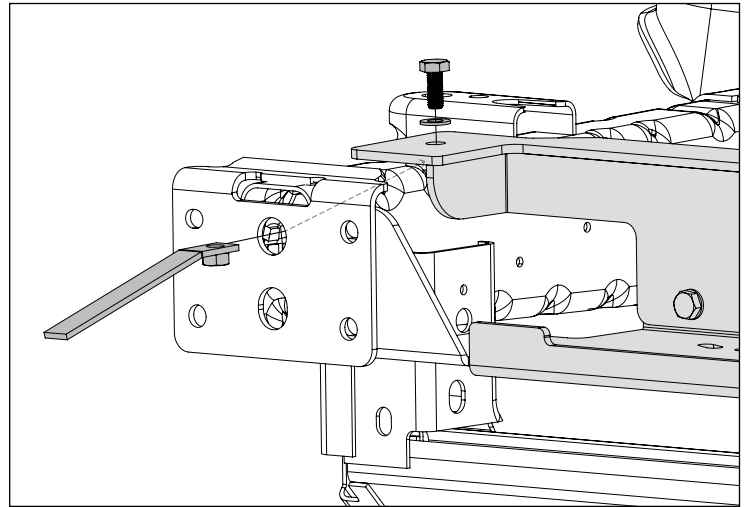


JK Winchplate for Mopar Stamped Steel Bumper

13. Attach Top and Bottom Plate at rear flange with M10 Hex Bolts and Flat Washers supplied with Winch Plate.

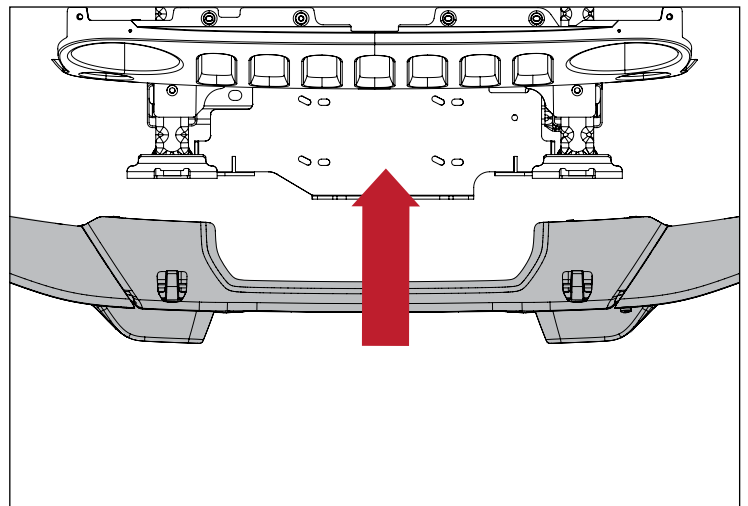


14. Attach Winch Plate to top of each frame horn using M10 Hex Bolt and M10 Nut Plate supplied with Winch Plate.



15. Reconnect vacuum pump and reinstall grille.

16. Position Bumper Assembly over frame rails, aligning Tow Hooks with mounting holes on frame horns. Secure with OE Nuts.





JK Winchplate for Mopar Stamped Steel Bumper

- 17. Install winch and fairlead.
- 18. Install Grille (installation is reverse of removal).

