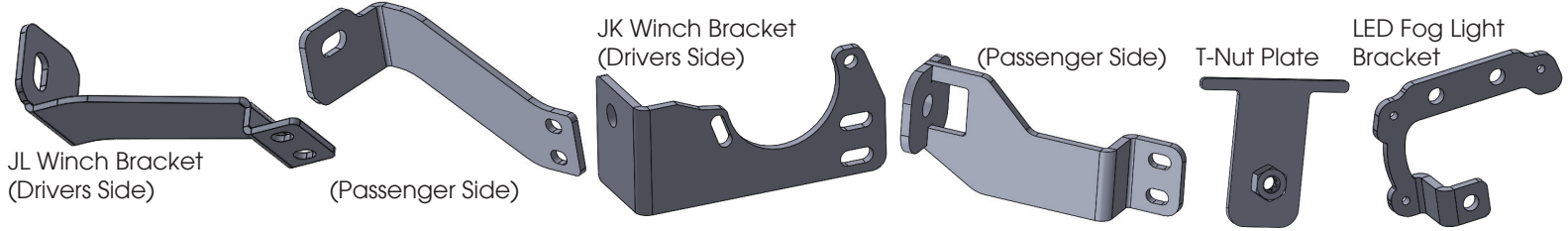
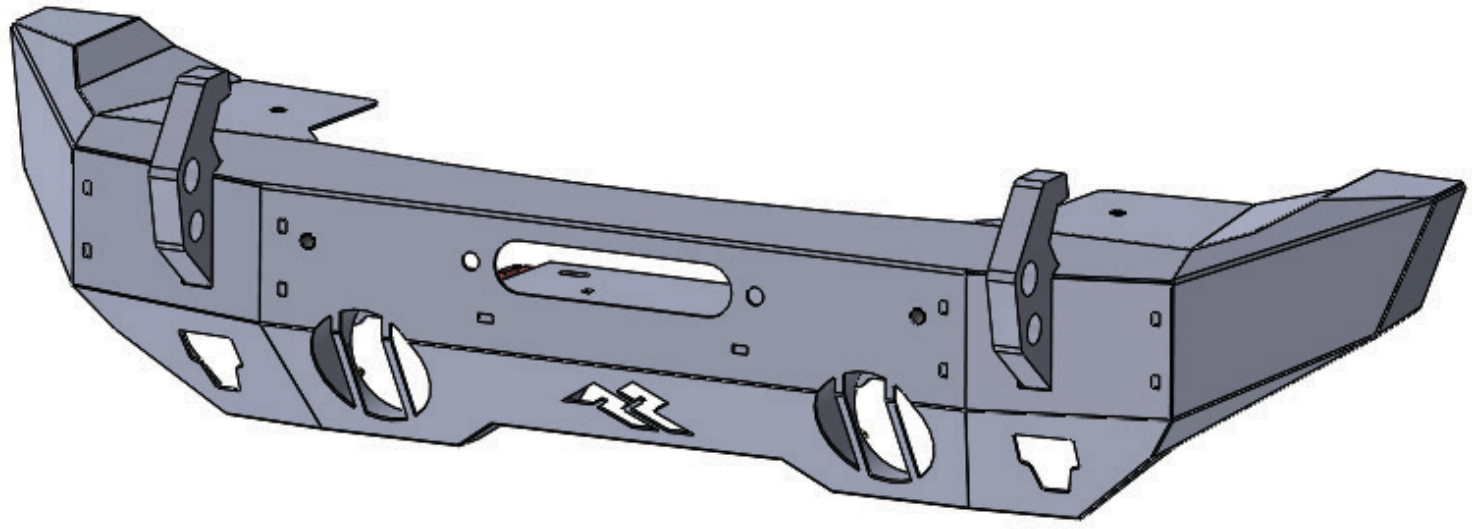


# Rugged Ridge HD Stubby Front Bumper, JL & JT

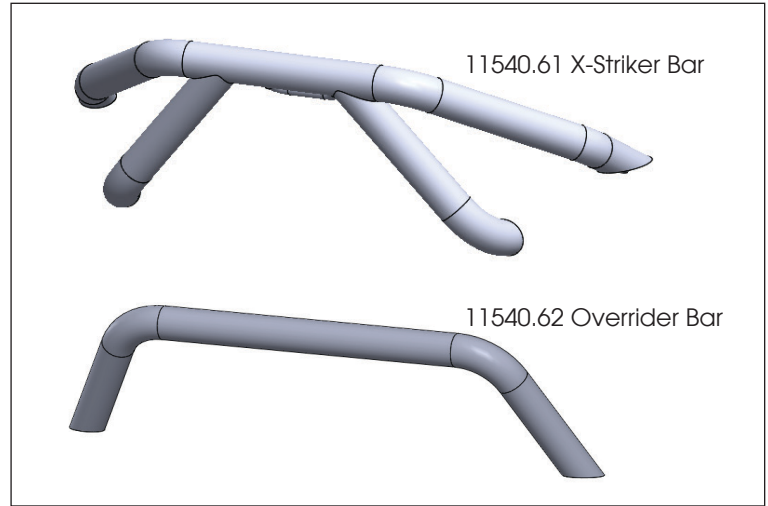


## Components

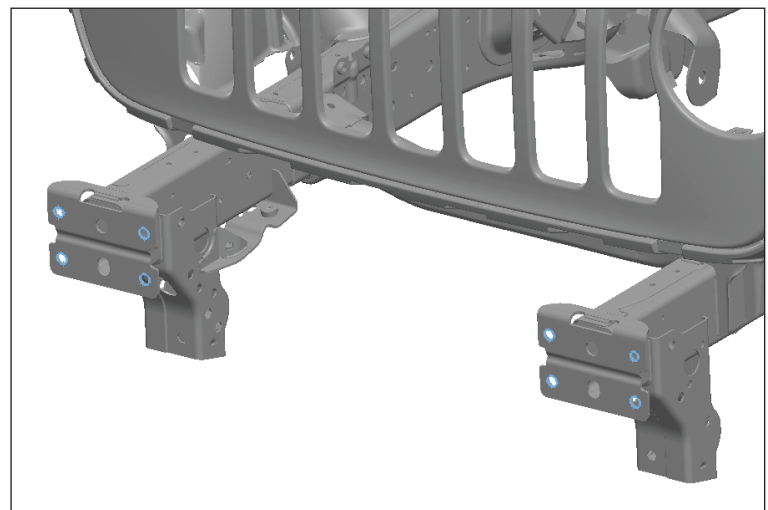
1. Winch Bracket Drivers Side, JL .....	1	14. M8 x 1.25mm Gold Zinc Bolt.....	4
2. Winch Bracket Passenger Side, JL.....	1	15. M8 Gold Zinc Flat Washer.....	8
3. Winch Bracket Drivers Side, JK.....	1	16. M8 Gold Zinc Lock Washer.....	4
4. Winch Bracket Passenger Side, JK .....	1	17. M8 Gold Zinc nut .....	4
5. LED Fog Light Bracket, JL.....	2	18. M6 x 1.0mm Gold Zinc Bolt.....	2
6. T-Nut Plate, JK.....	2	19. M6 Gold Zinc Flat Washer.....	4
7. Plastic Slip Washer .....	6	20. M6 Gold Zinc Lock Washer.....	2
8. M12 x 1.75mm Gold Zinc Bolt.....	2	21. M6 Gold Zinc nut.....	2
9. M12 Gold Zinc Flat Washer.....	8	22. M4 Gold Zinc Carriage Bolt.....	8
10. M12 Gold Zinc Lock Washer.....	8	23. M4 Gold Zinc Flat Washer.....	8
11. M12 Gold Zinc Nut.....	6	24. M4 Gold Zinc Lock Washer.....	8
12. M10 x 1.5mm Gold Zinc Bolt.....	2	25. M4 Gold Zinc Nut.....	8
13. M10 Gold Zinc Flat Washer.....	2		

## Rugged Ridge HD Stubby Front Bumper, JL & JT

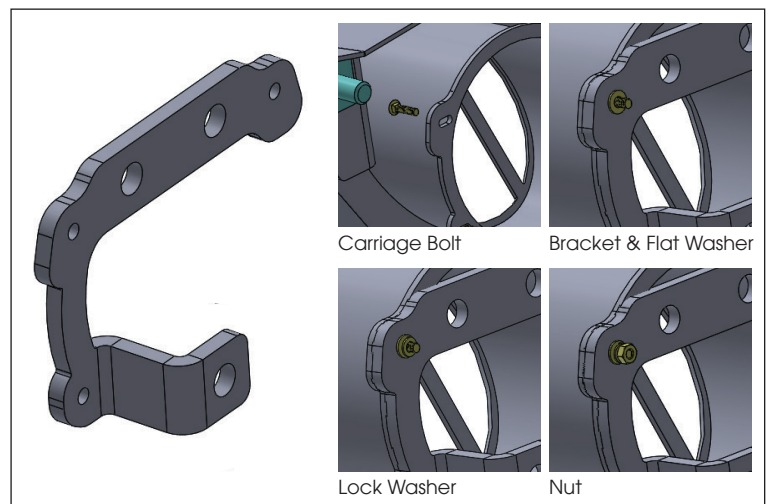
1. If you have purchased either the X-Striker or Overrider bar to attach to your Stubby HD Bumper you must install it first. Review the instructions included with either option to install.



2. Remove the OE front bumper from the frame horns. Unplug and protect the fog lights. If your installing the OE fog lights to your HD Stubby bumper remove them from the OE bumper. Also remove the lower skid plate from the Jeep as well.

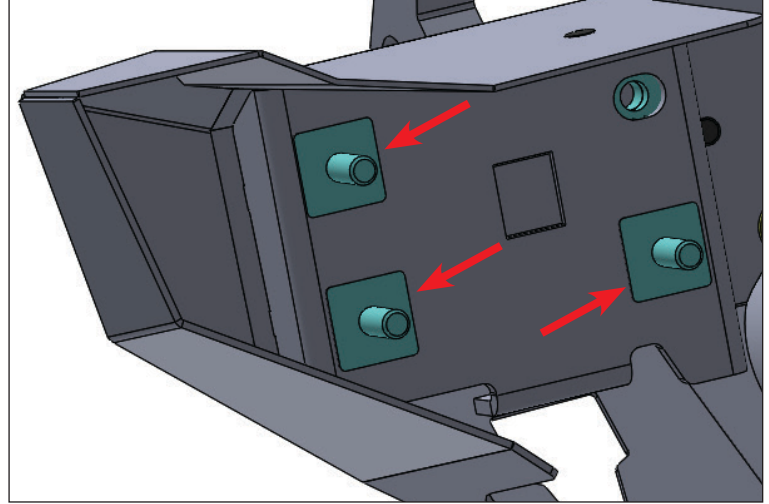


3. If installing the incandescent fog lights for the JK or JL the light will mount with provided carriage bolts to the fog light bucket in the HD Stubby bumper. If your installing the LED option for JL you'll need to use the bracket shown here. The Light assembly mounts to the bracket and then the brackets mounts to the fog light bucket. Either option mounts to the bucket with the carriage bolt, flat, lock washer and nut. Be aware of the orientation of the light, make sure adjustment screw is facing down. Fully tighten assembly at this time.

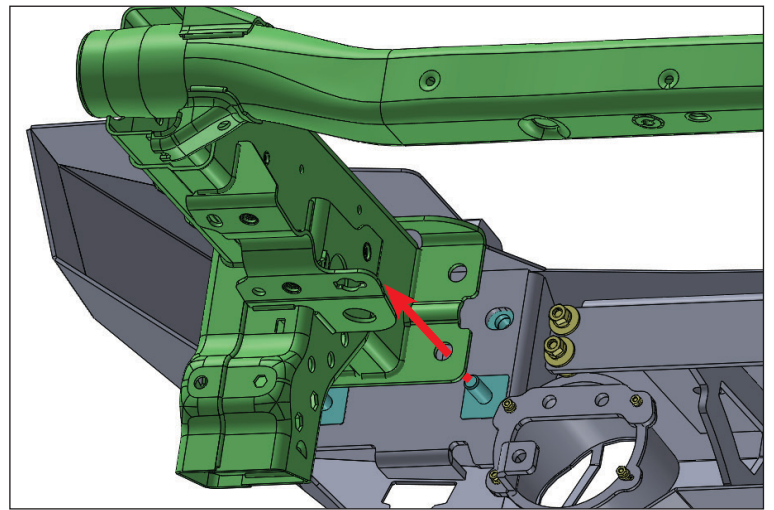


## Rugged Ridge HD Stubby Front Bumper, JL & JT

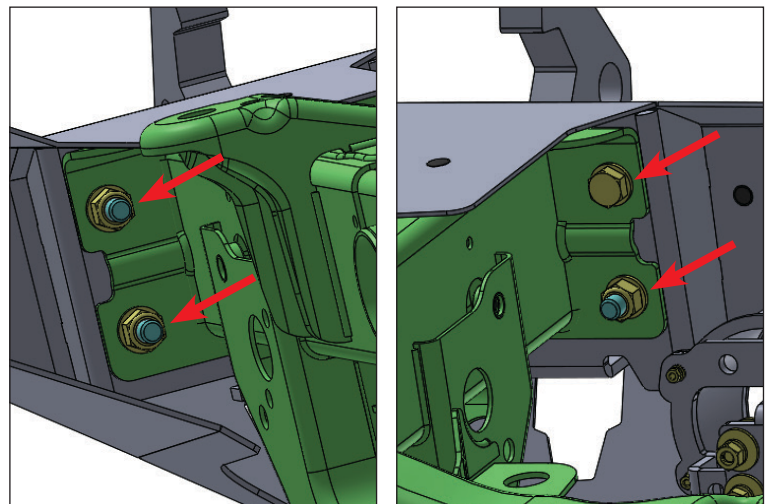
4. Install plastic slip washer to bolt plates. Each bolt plate should be preinstalled in the bumper. This slip washer once threaded on will hold the bolt plate snug against the mounting surface. This will allow for a easier installation while threading hardware to the stud. Simply take the plastic slip washer and thread down each stud.



5. Now lift and place the bumper to the Jeep frame rails. The studs slide through the holes in the frame holes. It's best to have an assistant to lift and hold the bumper in place.



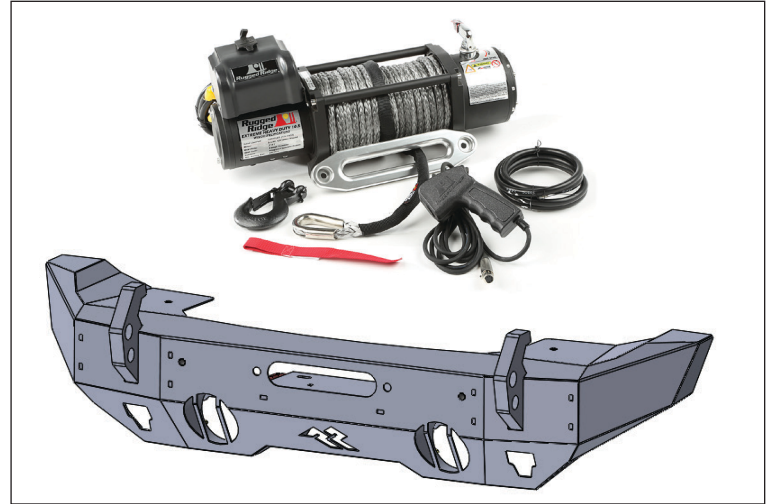
6. With bumper in place thread the hardware to the bumper. On the inside upper location it takes M12 bolt with flat and lock washer. The other three mounts use M12 nut with flat and lock washer. Do not tighten at this time just hand tighten to hold bumper in place.





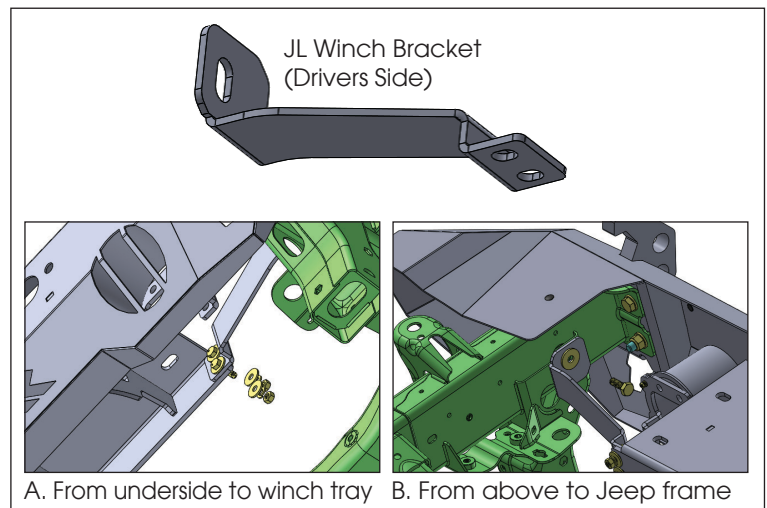
## Rugged Ridge HD Stubby Front Bumper, JL & JT

7. At this point if you have decided to install a winch to your HD Stubby bumper it's best to do it now. With the bumper loosely installed it will allow you to adjust and make clearance for the winch you selected. Refer to the winch installation instructions to install properly.



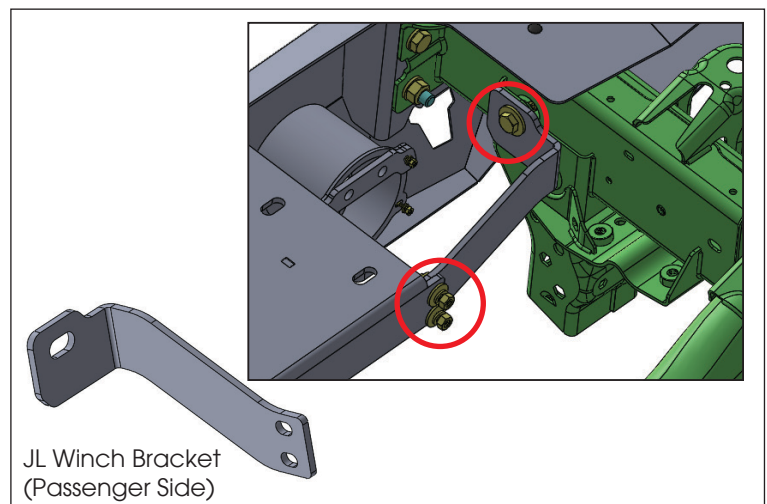
JK owners skip to step 10

8. To install remaining winch tray brackets for JL models start on Drivers side. The bracket mounts to the winch tray with two M8 bolts with flat, lock washers and nuts (see image A). Next mount to the Jeep frame with M10 bolt and flat washer (see image B).



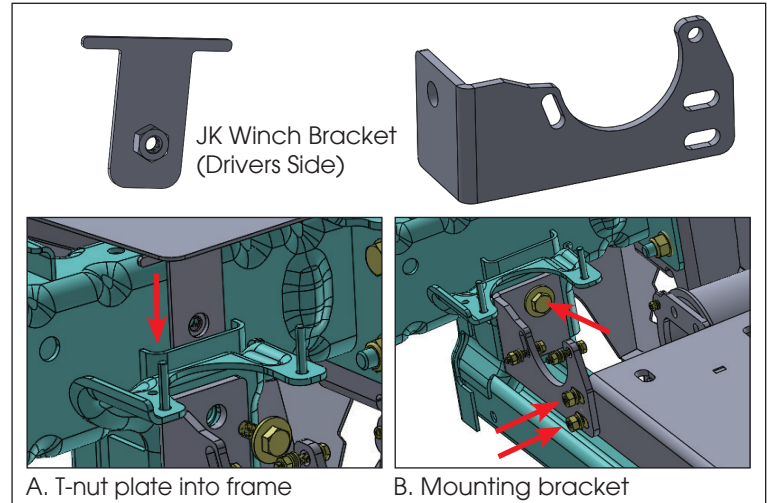
9. Now install passenger side JL winch bracket. The bracket mounts to the winch tray with two M8 bolts with flat, lock washers and nuts. Next mount to the Jeep frame with M10 bolt and flat washer.

Now with all brackets in place and hand tightened, go back and fully tighten all hardware. Check and adjust to assure bumper is level while tightening. Start with frame horn bolts tighten in a alternating pattern. **Avoid using power or air tools.** Tighten to 60ft lbs torque to secure the bumper to the Jeep. Next tighten the winch tray bracket bolts. Tighten to 40ft lbs torque. That completes install for JL models.



## Rugged Ridge HD Stubby Front Bumper, JL & JT

10. To install remaining winch tray brackets for JK models start on Drivers side. On the drivers side is the vacuum canister. Remove the nuts retaining the canister and lift it off the studs and set it to the side. Now slide T-nut plate into the frame slot (see image A). The bracket mounts to the winch tray with two M8 bolts with flat, lock washers and nuts. Next mount to the Jeep frame with M10 bolt and flat washer to the T-nut plate in the JK frame (see image B). Do not fully tighten at this time, just hand tighten. Now place vacuum canister into the notch of the bracket and attach with M6 bolts, flat, lock washer and nut.



11. Now install passenger side JK winch bracket. Slide T-nut plate into the frame slot (see image A). The bracket mounts to the winch tray with two M8 bolts with flat, lock washers and nuts. Next mount to the Jeep frame with M10 bolt and flat washer to the T-nut plate in the JK frame (see image B).

Now with all brackets in place and hand tightened, go back and fully tighten all hardware. Check and adjust to assure bumper is level while tightening. Start with frame horn bolts tighten in a alternating pattern. **Avoid using power or air tools.** Tighten to 60ft lbs torque to secure the bumper to the Jeep. Next tighten the winch tray bracket bolts. Tighten to 40ft lbs torque. That completes install for JK models.

