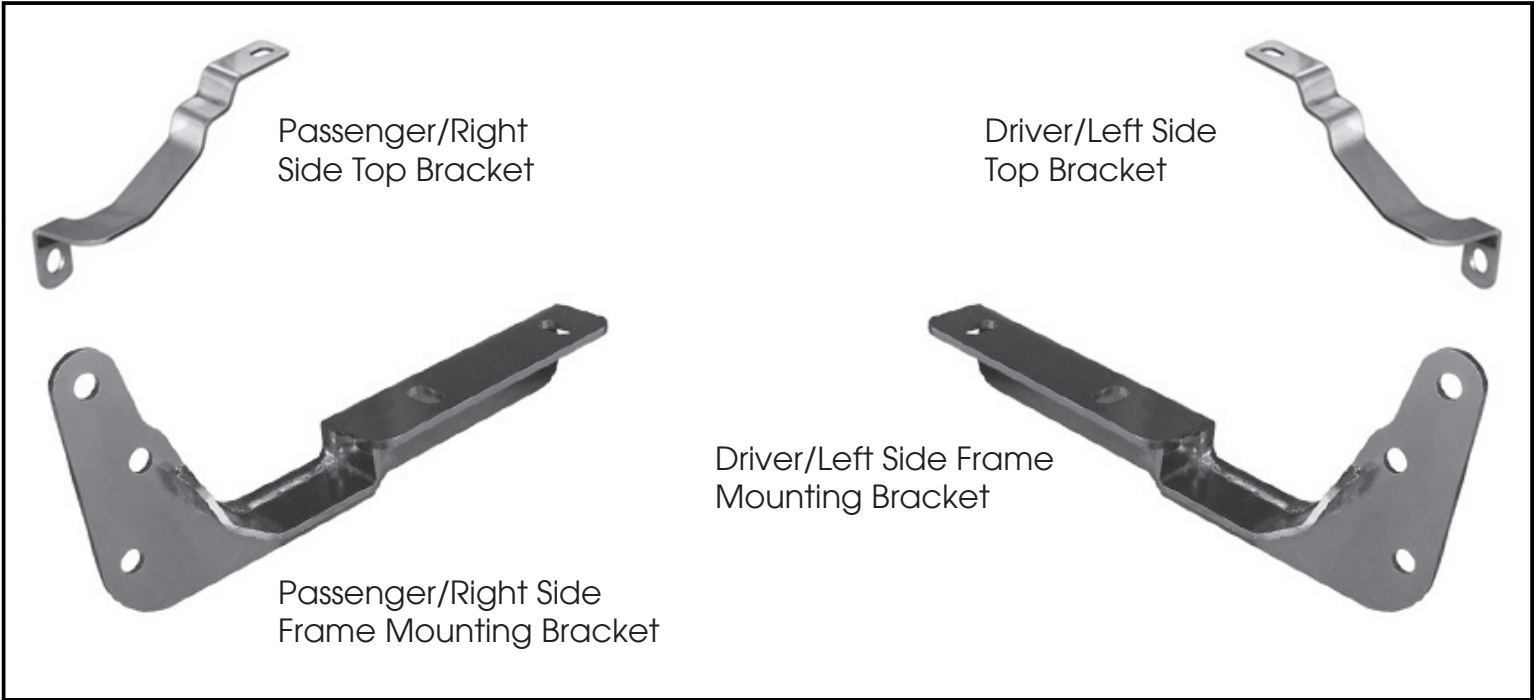




Jeep Cherokee Grille Guard



Components

- | | | | |
|--|------|--|-----|
| 1. Grille Guard | (1) | 10. 10-1.5mm x 30mm Button Head Bolts | (2) |
| 2. Driver/Left Side Mounting Bracket | (1) | 11. 10-1.5mm x 35mm Hex Bolts | (4) |
| 3. Passenger/Right Side Mounting Bracket | (1) | 12. 10mm x 27mm x 3mm Large Flat Washers | (4) |
| 4. Driver/Left Side Top Bracket | (1) | 13. 10mm x 20mm x 2.5mm Small Flat Washers | (4) |
| 5. Passenger/Right Side Top Bracket | (1) | 14. 10mm Lock Washers | (4) |
| 6. 12-1.75mm x 35mm Hex Bolts | (6) | 15. 10mm Lock Nuts | (2) |
| 7. 12mm x 32mm x 3mm Flat Washers | (12) | 16. 6mm x 18mm x 1.6mm Flat Washers | (4) |
| 8. 12mm Lock Washers | (6) | 17. 50mm x 400mm Adhesive Foam Tape | (1) |
| 9. 12mm Hex Nuts | (6) | | |



Jeep Cherokee Grille Guard

Remove contents from box. Verify all parts are present. Read instructions carefully before starting installation. Assistance is highly recommended. This Grille Guard may not be compatible with optional Adaptive Cruise Control-Forward Collision warning Systems featuring grille mounted laser control sensor.

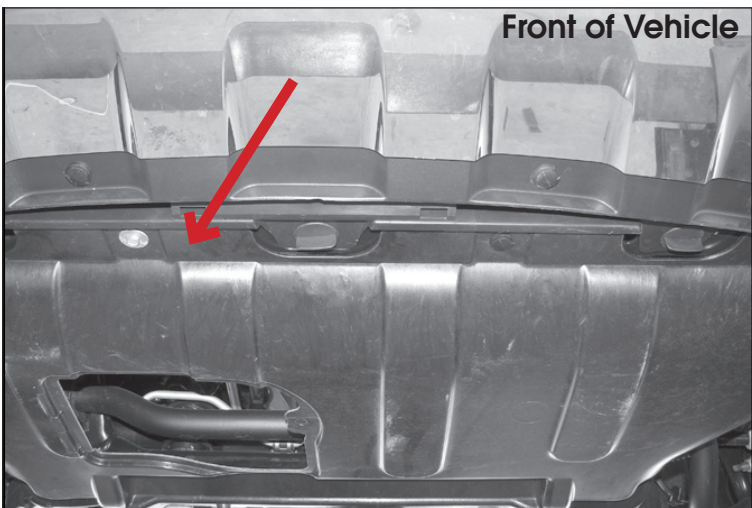
1. Determine if vehicle is equipped with or without factory tow hooks.



2. Remove plastic splash guard under front bumper cover.

Vehicles with factory tow hooks: Remove both tow hooks if equipped and proceed to Step 5.

NOTICE Tow hooks cannot be reinstalled with the Grille Guard.



3. **Vehicles without factory tow hooks:**

2011-13: Remove factory hardware securing ends of bumper cover. Release clips at ends of plastic bumper cover attaching lower cover to upper cover.

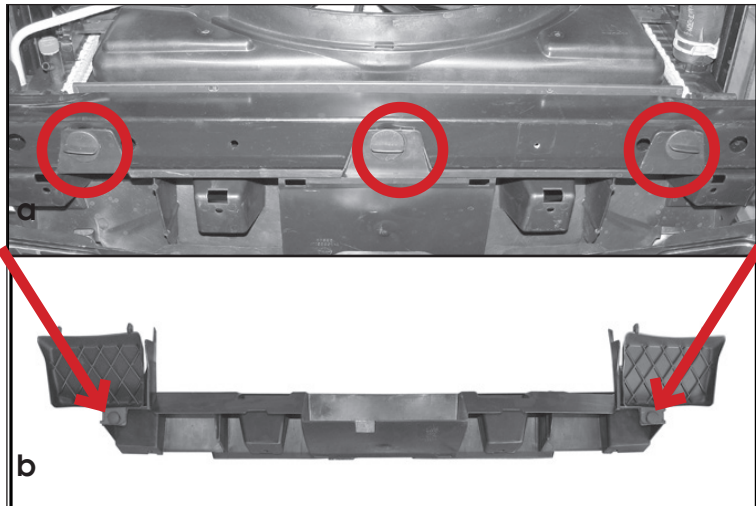
NOTICE It is not necessary to remove the lower bumper cover, only release clips at both ends of cover.



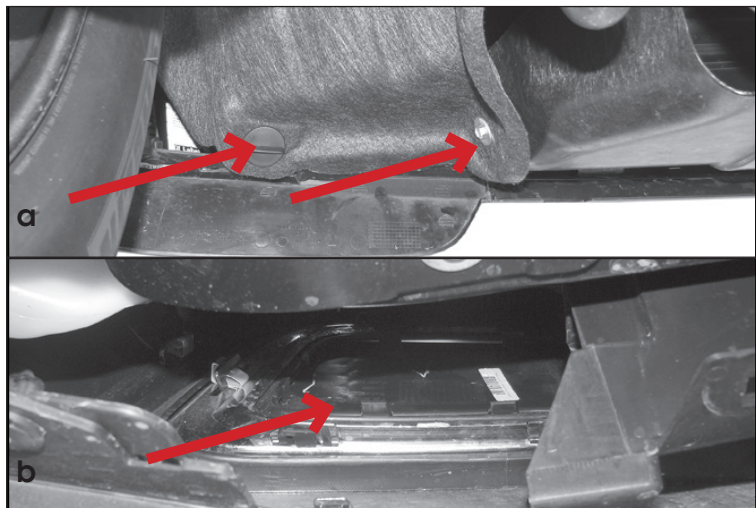


Jeep Cherokee Grille Guard

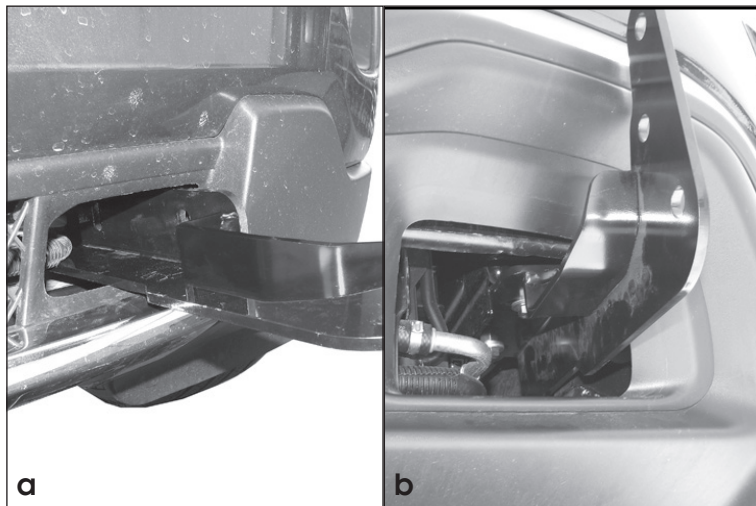
4. Remove clips fastening air deflector to bottom of crossmember (a). Pull bumper cover forward for access and pull air deflector from behind bumper cover. Release clips and remove block-off cover at each end of air deflector (b). Reinstall air deflector, without block-offs, and bumper cover using factory hardware.



2014 Models: The block offs covering openings in bumper are clipped onto back of bumper cover only. Remove hardware at bottom of inner fender panel (a). Release clips behind bumper and remove block off from each opening in bumper cover (b).



5. Locate the threaded holes in bottom of frame channel. Holding Driver Side Frame Mounting Bracket with mounting tab flat insert through opening and rotate up into position in line with factory threaded holes. Bolt Bracket to frame channel with (2) 10mm x 30mm Hex Bolts, (2) 10mm Large Flat Washers, and (2) 10mm Lock Washers. Do not fully tighten at this time. Repeat for passenger side.





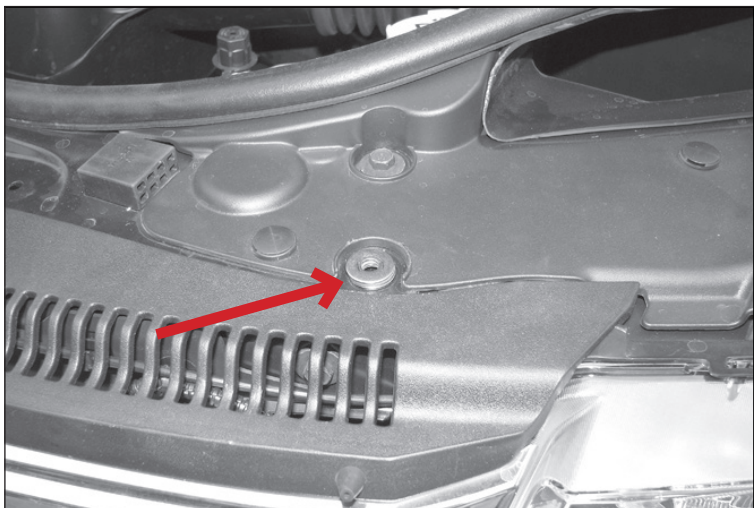
Jeep Cherokee Grille Guard

6. With assistance, hold Grille Guard up to outside of Mounting Brackets. Attach Grille Guard to Mounting Brackets with 12mm x 35mm Hex Bolts, 12mm Flat Washers, 12mm Lock Washers, and 12mm Hex Nuts, (Figure 13).

NOTICE Do not allow Grille Guard to come in contact with vehicle. Temporarily tighten to hold Grille Guard in position.

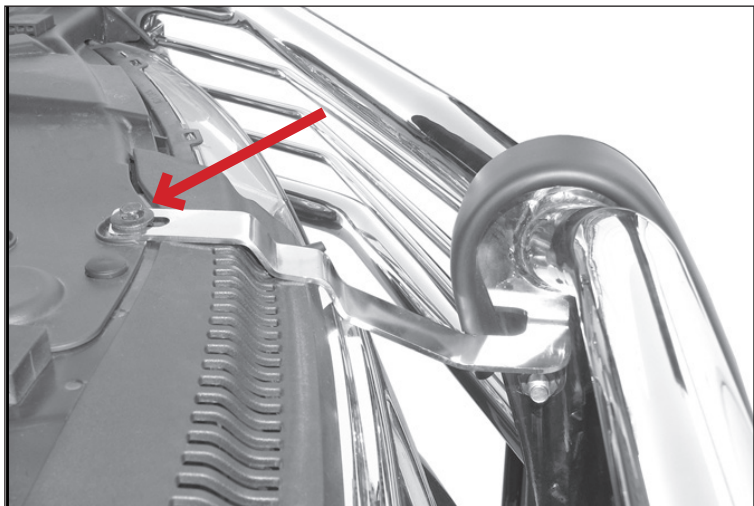


7. With hood open, locate and remove factory 6mm hex bolt on driver side securing plastic cover to radiator support. Use 6mm Flat Washers as spacers to fit into recess in plastic cover.



8. Apply a layer of Adhesive Foam Tape to bottom of Driver Side Top Bracket. Place Driver Side Top Bracket on top of washers and bolt to radiator support using factory hex bolt.

NOTICE For proper fit, Driver Side Top Brackets must fit as close to plastic cover and top of grille as possible for hood closure.



**Rugged
Ridge**



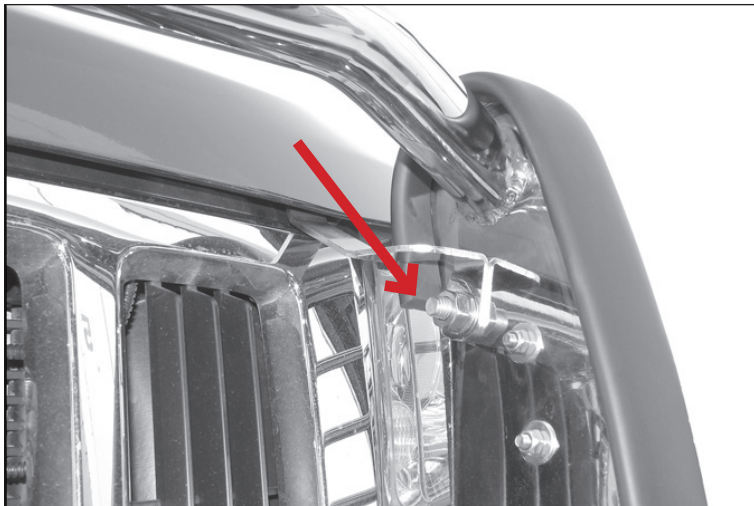
OMIX-ADA, Inc.



Jeep Cherokee Grille Guard

9. Line up mounting hole in Driver Side Top Bracket with hole in Grille Guard upright. Bolt Bracket to Grille Guard with 10mm x 30mm Button Head Bolt, 10mm x 20mm Small Flat Washers, and 10mm Nylon Lock Nut, (Figures 16 & 17). Do not tighten.

10. Repeat Steps 8 & 9 for Passenger Side Top Bracket installation.



11. Align and adjust Grille Guard. Tighten all hardware.

12. **Slowly close hood to check for clearance between hood and the Top Brackets.** Adjust Top Brackets as necessary for proper hood closure.

NOTICE Do periodic inspections to installation to make sure all hardware is secure and tight.

