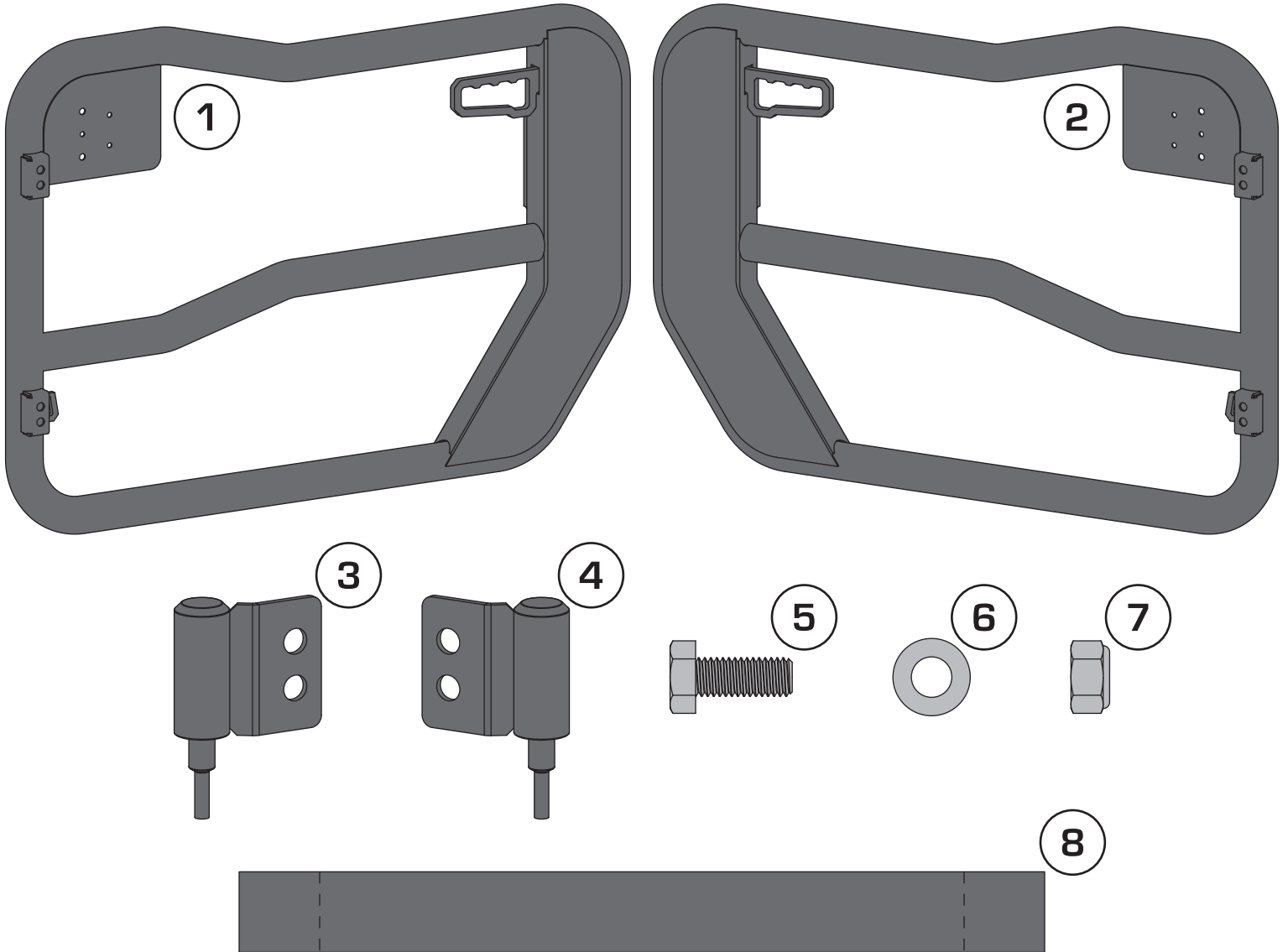




OMIX-ADA, Inc.

Part # 11509.13

Front Tube Doors, JL Wrangler



Components

- 1. Tube Door - Left
- 2. Tube Door - Right
- 3. Hinge Pin - Left
- 4. Hinge Pin - Right

- | | | |
|-----|----------------|------|
| (1) | 5. M8 Bolt | (8) |
| (1) | 6. M8 Washer | (16) |
| (2) | 7. M8 Lock Nut | (8) |
| (2) | 8. Check Strap | (2) |



OMIX-ADA, Inc.

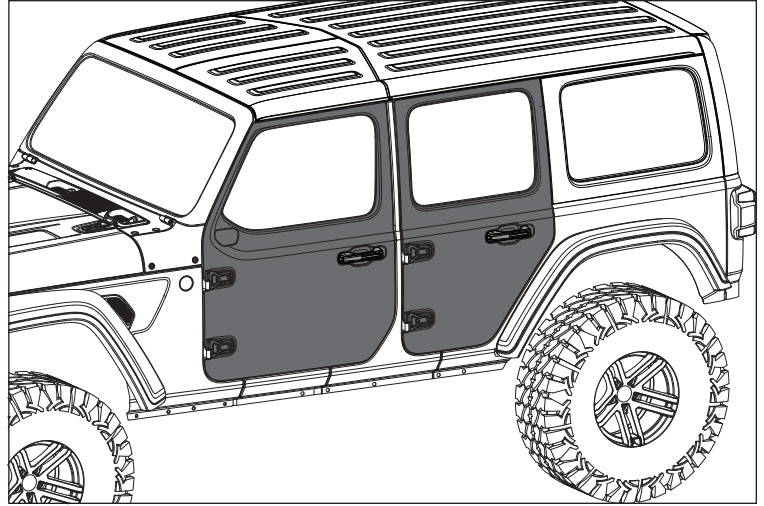


Front Tube Doors, JL Wrangler

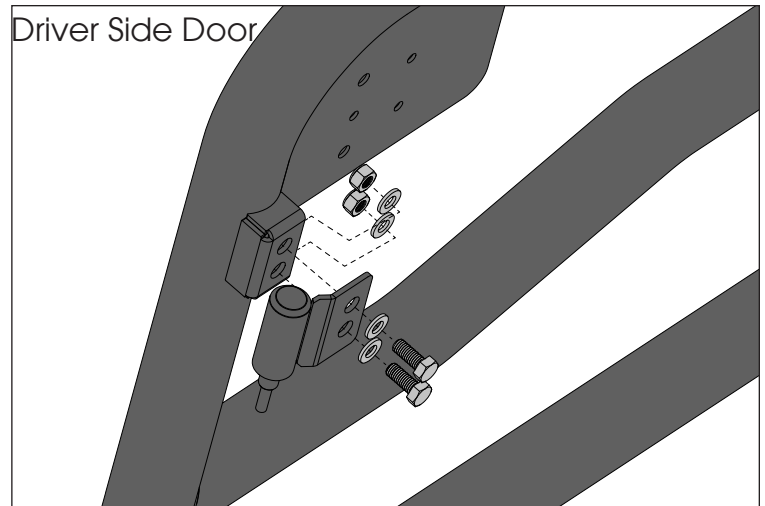
1. Remove doors from vehicle as instructed in factory supplied user manual.

NOTICE

Door removal may require assistance from another person.



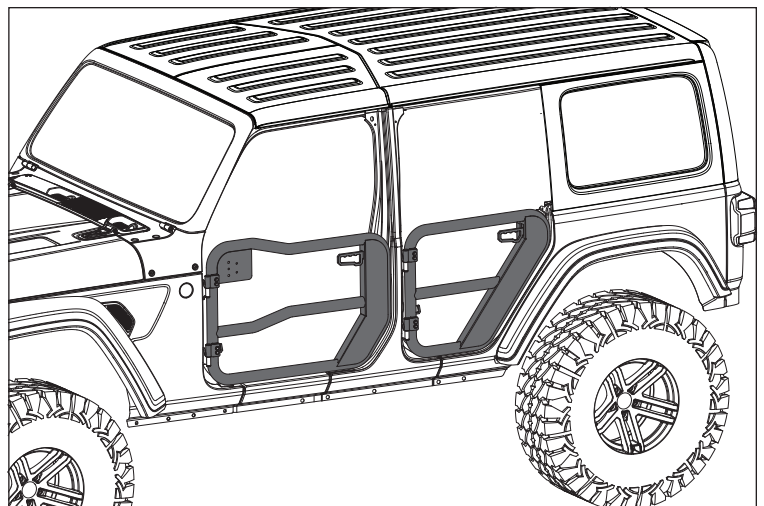
2. Loosely install Hinge Pins on Tube Doors using supplied M8 hardware.



3. Using caution, slowly insert Tube Door in door hinges and reinstall factory door nuts.

NOTICE

Tube Door installation may require assistance from another person.



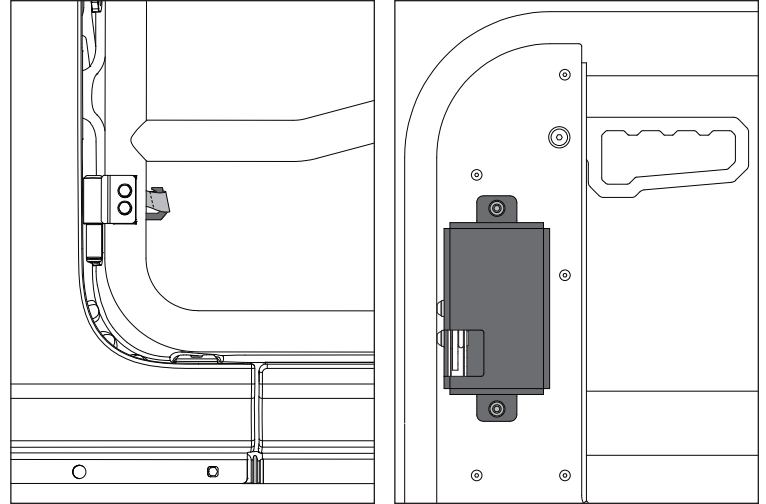


Front Tube Doors, JL Wrangler

4. Close Tube Door and tighten Hinge Pin hardware. Install Check Strap and cycle Tube Door open and closed to ensure Hinge Pins are properly aligned and fully seated in door hinge.

NOTICE

If door does not close after Hinge Pin alignment, loosen two M6 bolts securing latch box to door. Adjust latch box position until door closes properly.



5. If desired, install mirrors on Tube Doors.

NOTE: Rugged Ridge offers the following mirror options for use with Rugged Ridge Front Tube Doors for JL

- 11002.23 - JL Tube Door Mirror Kit
Installs in yellow holes
- 11025.1x - TJ/JK Quick Release Mirrors
Installs in red holes
- 11025.2x - JL Trail Mirrors
Installs in windshield hinge

