



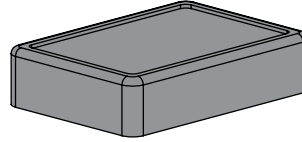
OMIX-ADA, Inc.

Part # 11250.09

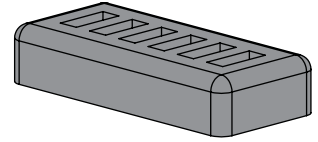
Interior LED Lighting System

CONTENTS:

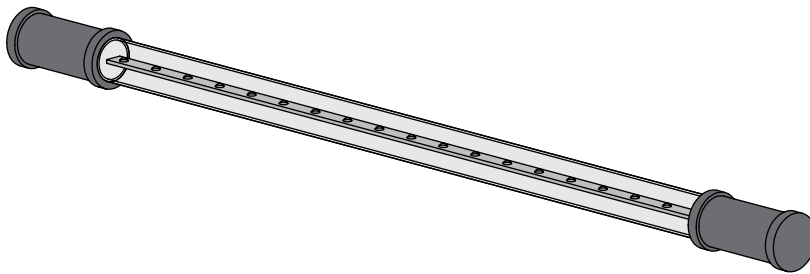
- 9" LED Tube (4)
- 15" LED Tube (2)
- Remote (1)
- Connector Block (1)
- Mounting Tab (12)
- Hook and Loop Tape (1)



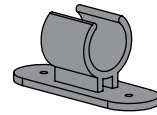
Remote x 1



Connector Block x 1



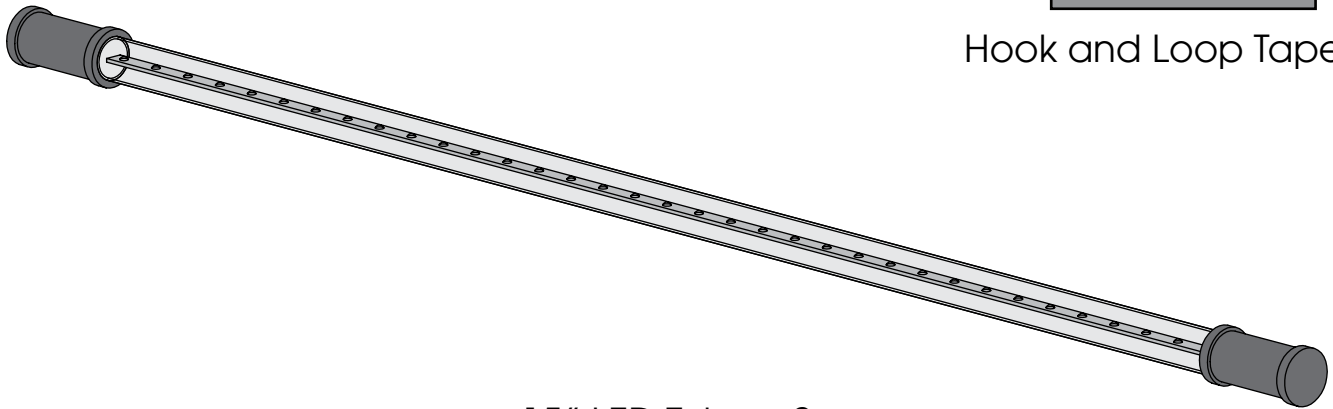
9" LED Tube x 4



Mounting Tab x 12



Hook and Loop Tape x 1



15" LED Tube x 2

WARNING

A hazardous situation which, if not avoided, could result in serious injury or death. **You can be killed or seriously hurt if you do not follow instructions.**

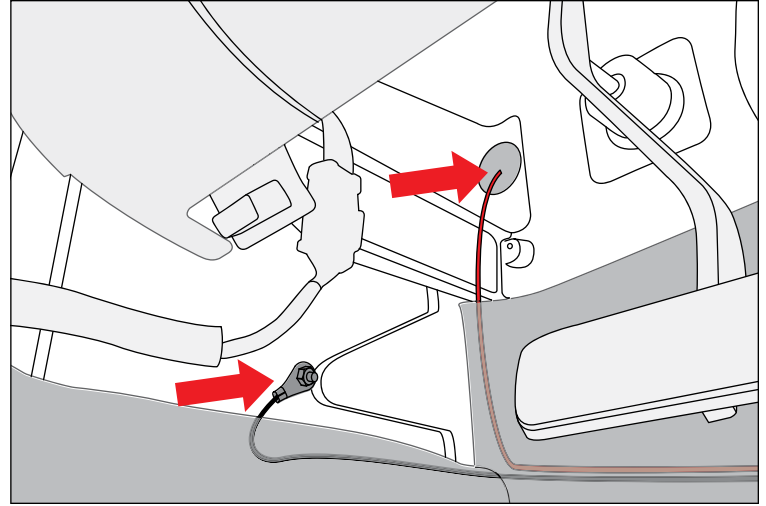


Interior LED Lighting System

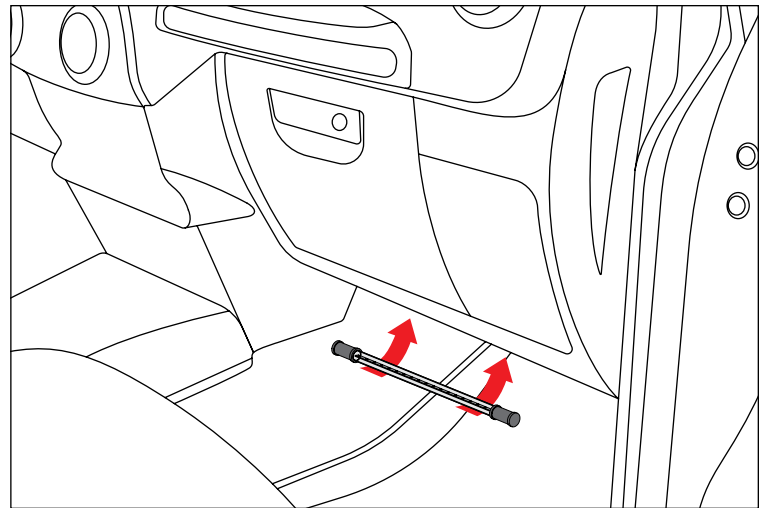
1. Disconnect battery, removing negative cable first. Connect red wire lead to positive terminal of battery by routing wire through rubber grommet in firewall. Connect black wire lead to 10 mm ground stud in driver side footwell. Reconnect battery.



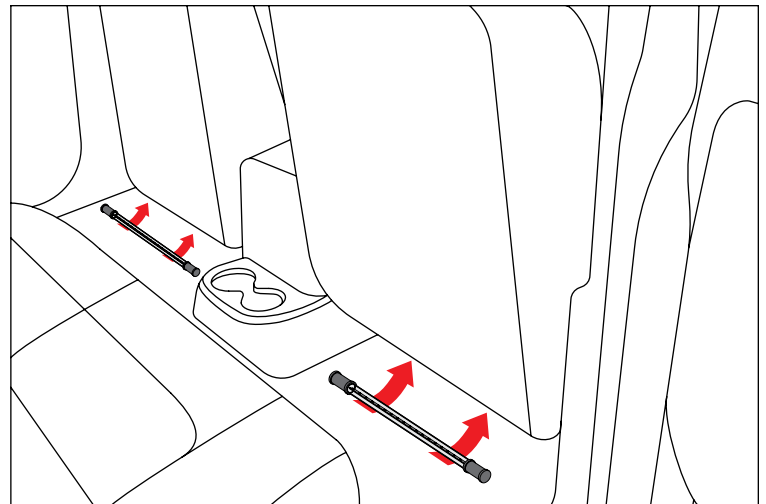
WARNING When removing battery cables do not touch positive and negative terminals together.



2. Place one 9" LED Tube under dashboard on each side. Attach two Mounting Tabs to each LED Tube and remove red tape backing. Press and hold each Mounting Tab to metal bar underneath dashboard for 30 seconds.



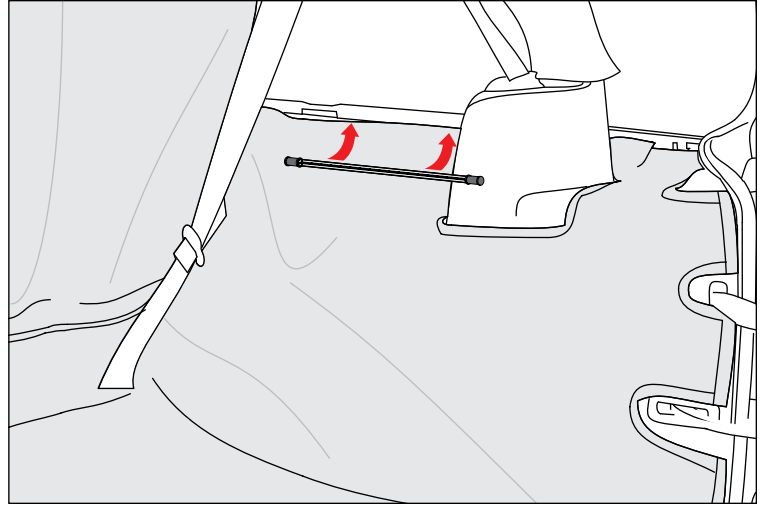
3. Place one 9" LED Tube under each front seat. Attach two Mounting Tabs to each LED Tube and remove red tape backing. Press and hold each Mounting Tab to bottom of seat for 30 seconds.



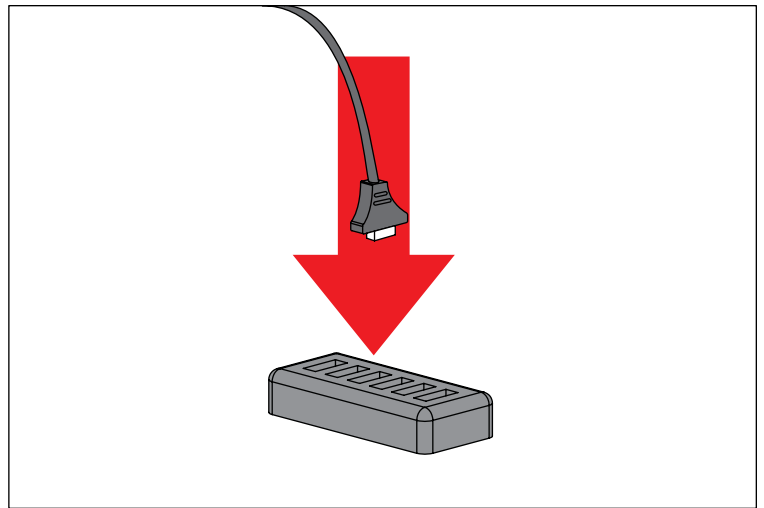


Interior LED Lighting System

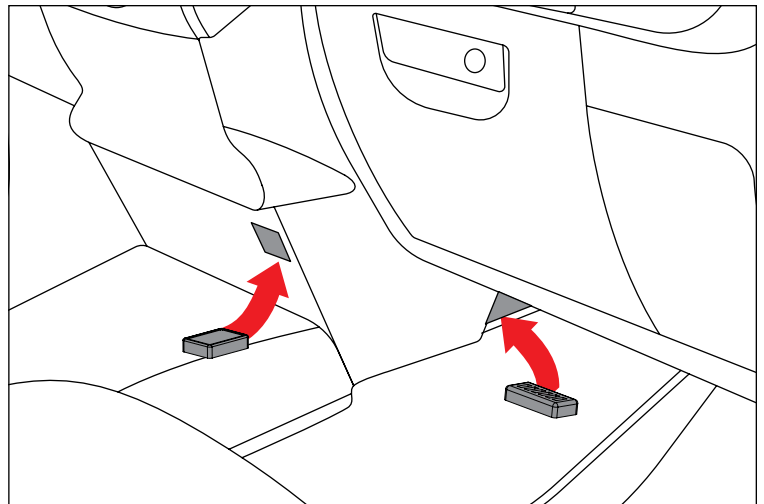
4. Attach two Mounting Tabs to each 15" LED Tube and remove red tape backing. Place one LED Tube under body tub lip on each side of rear cargo area. Press and hold for 30 seconds.



5. Plug all wires into Connector Block and power on Interior LED Lighting System by pressing "POWER" on supplied Remote. Switch between all lighting modes using "MODE" button. "PAUSE" keeps color from changing or pulsing. To resume, press "PAUSE" button again. Align all LED Tubes to properly light each area.



6. Run all wires under carpet and tuck underneath edge of center console. Hide Connector Block behind dashboard as shown on right. If desired, attach Hook and Loop tape to back of Remote and front of lower console panel.



Learn more about accessory lighting we have.