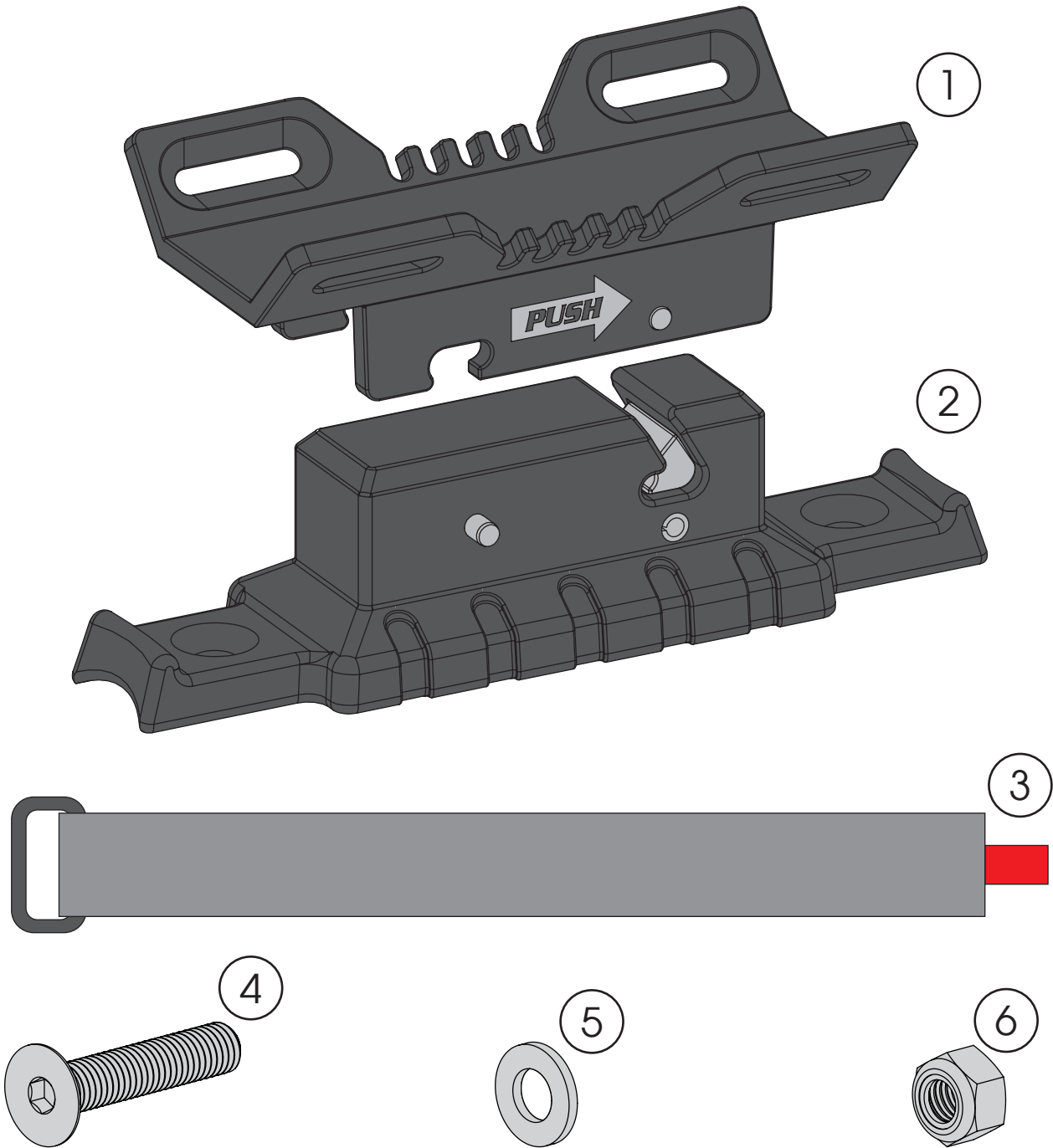


Elite Fire Extinguisher Holder



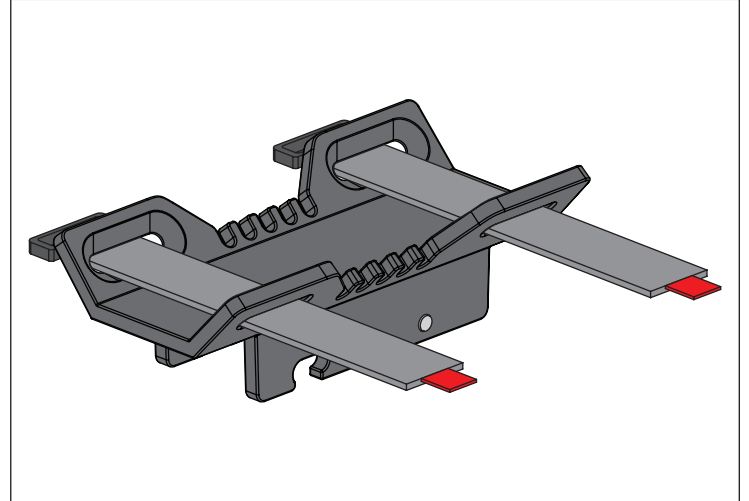
Components

- | | | | |
|---------------------------------|-----|-----------------------|-----|
| 1. Fire Extinguisher Holder | (1) | 4. M8 Flat Head Screw | (2) |
| 2. Base Mount | (1) | 5. M8 Flat Washer | (2) |
| 3. Hook and loop fastener Strap | (4) | 6. M8 Lock Nut | (2) |

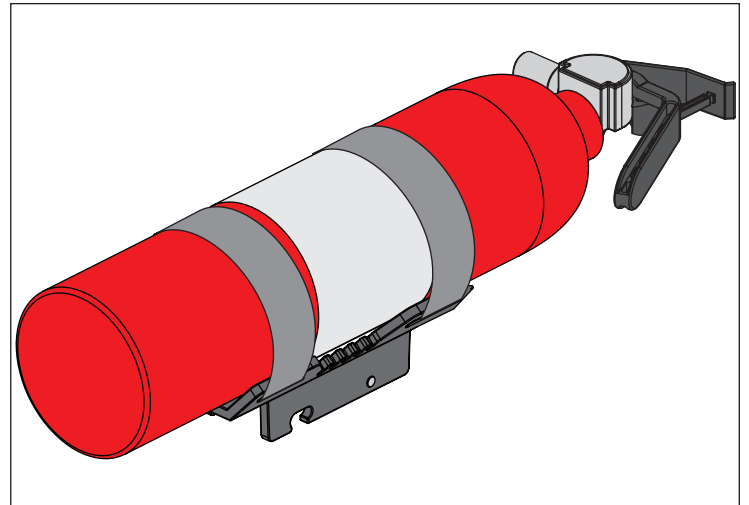


Elite Fire Extinguisher Holder

1. Feed hook and loop fastener Straps through slots in Fire Extinguisher Holder.



2. Place fire extinguisher in Holder and securely fasten hook and loop fastener. Do not cover fire extinguisher instructions with Hose Clamps.



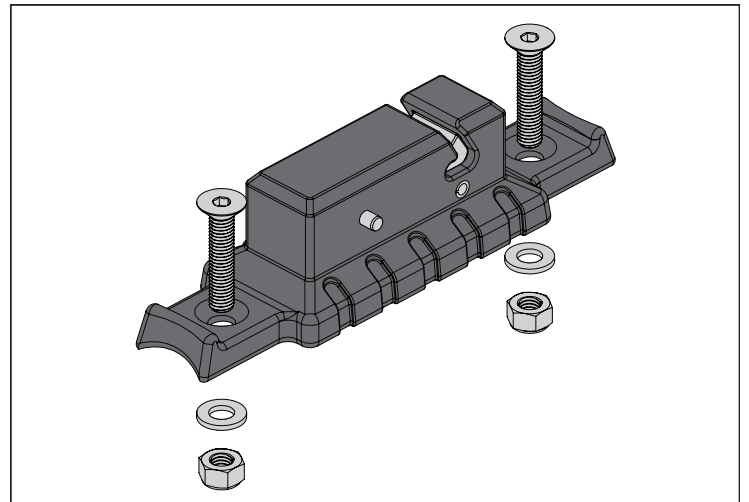
3. **FLAT MOUNT INSTALL:** Drill two 3/8" diameter holes 5.5" apart along straight line path. Using supplied hardware, install Base Mount to flat surface.

WARNING

To reduce risk of injury in event of accident, **DO NOT** mount in area around head, torso, or in manner which compromises airbags or interior padding.

NOTICE

Install Base Mount so latch is at top (For vertical or inclined mount).



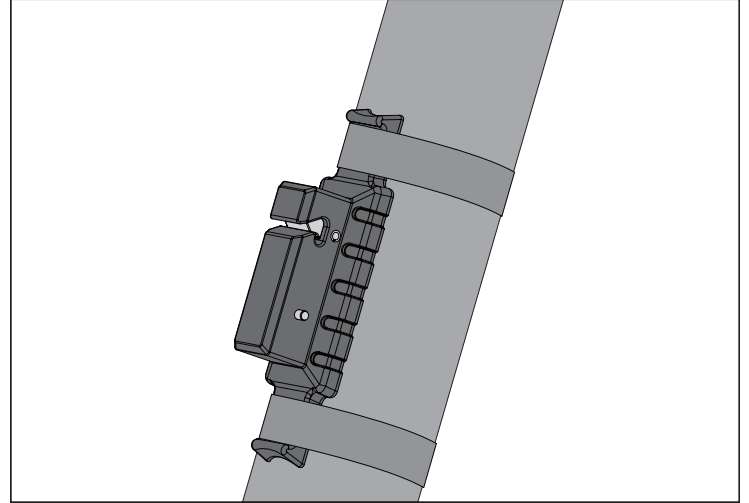


Elite Fire Extinguisher Holder

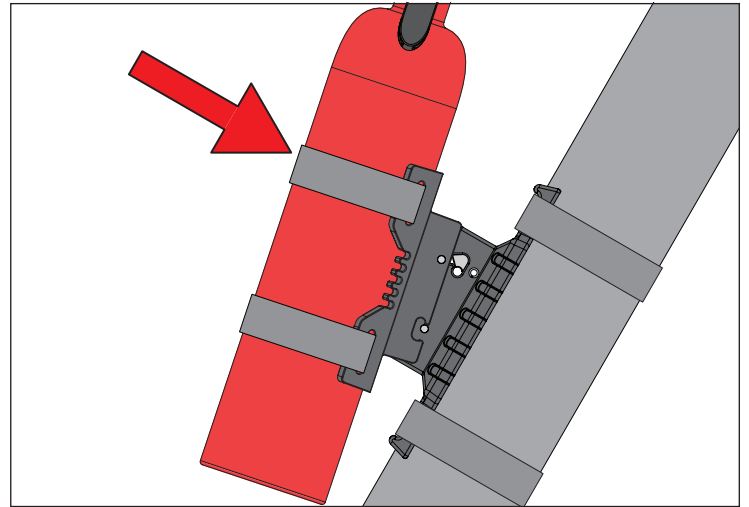
4. **SPORT BAR MOUNT INSTALL:** Place Base Mount on sport bar, wrap hook and loop fastener Straps around Base Mount, and securely fasten.

WARNING To reduce risk of injury in event of accident, DO NOT mount in area around head, torso, or in manner which compromises airbags or interior padding.

NOTICE Install Base Mount so latch is at top (For vertical or inclined mount).



5. To attach Fire Extinguisher Holder to Base Mount, place guide pin (Holder) in groove (Mount) and press in until locked in place.



6. To remove Fire Extinguisher Holder from Base Mount, push Holder up from bottom and rotate bottom of fire extinguisher away from Mount.

NOTICE If Holder is difficult to remove, lubricate groove area and guide pin.

