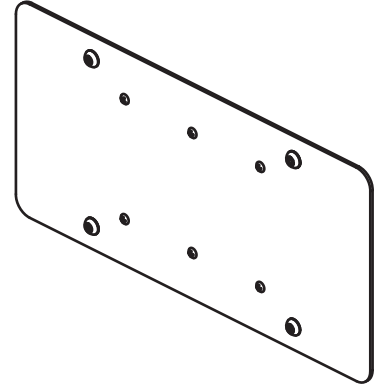


Hawse Fairlead License Plate Holder

Contents:

1. Hawse Fairlead License Plate Holder w/ Snap Fittings Attached (1)
2. License Plate Mounting Bolts (4)



Attach Hawse Fairlead License Plate Holder to Hawse fairlead by aligning the 3 snap fittings with the opening in the fairlead. Route [winch](#) line between the snap fittings and push the plate evenly until fittings engage. Use supplied License Plate Mounting Bolts to attach license plate.

