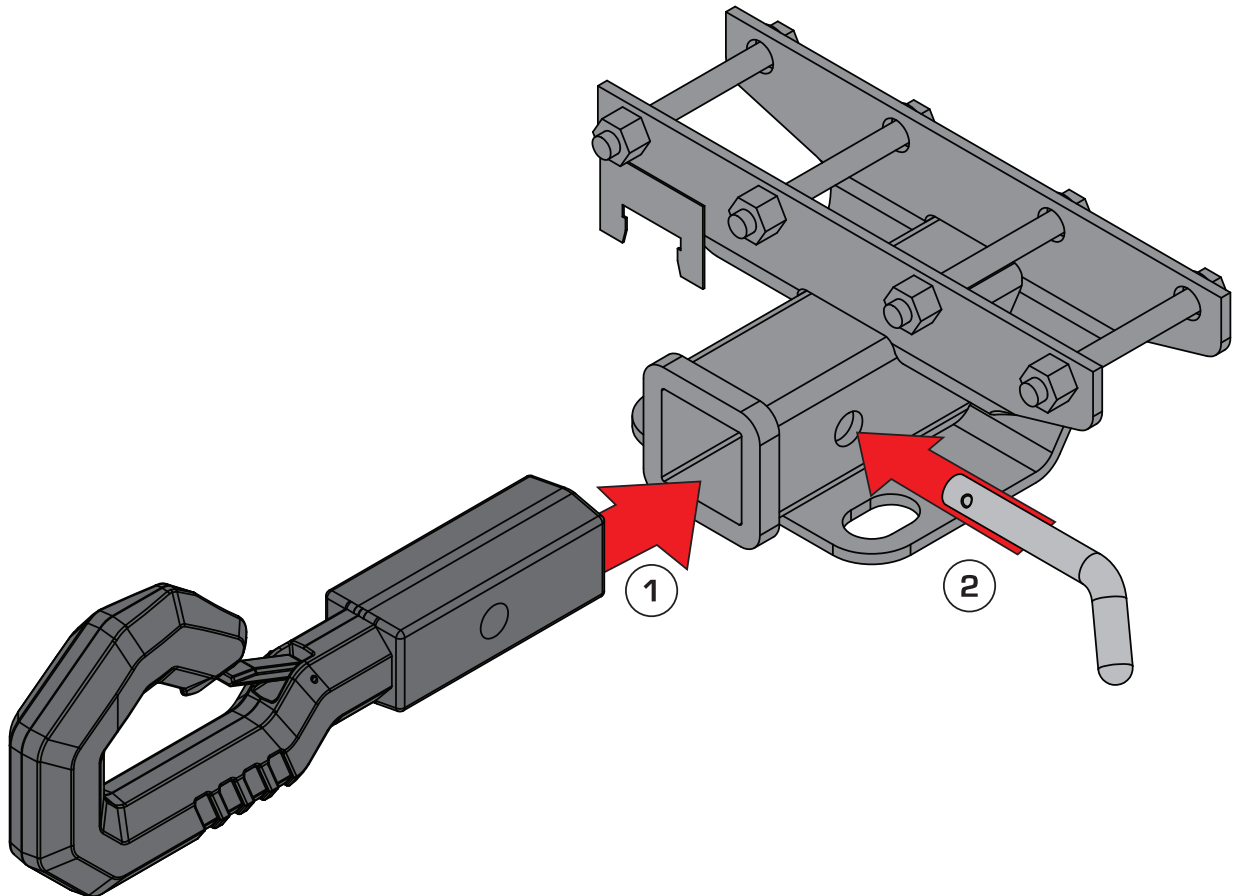


## Giga Hook

1. Insert Giga Hook into 2" receiver hitch
2. Secure Giga Hook to 2" receiver hitch with properly rated hitch pin.



**⚠ WARNING** TO REDUCE RISK OF SERIOUS INJURY, ACCIDENT, OR PROPERTY DAMAGE:

- **Do not use for towing.** Off-road, self-recovery only. **MAX.** 7,600 lbs working load limit.
- Do not exceed the maximum weight of your LIGHTEST rated weight self-recovery component (including vehicle, hitch, ball, Giga Hook, or hitch pin).
- During recovery, avoid "snapping" or other shock loads which may exceed strength of recovery components. Install according to instructions. Inspect Giga Hook and all recovery components frequently. **DO NOT** use and repair/replace if any component is damaged or worn.
- Consult and follow all limitations and warnings in vehicle owner's manual and familiarize yourself with warnings and best practices for off-road recovery. **Keep clear of self-recovery strap and vehicle.**
- Giga Hook is not for use as attachment point for man lift or any other hoisting.