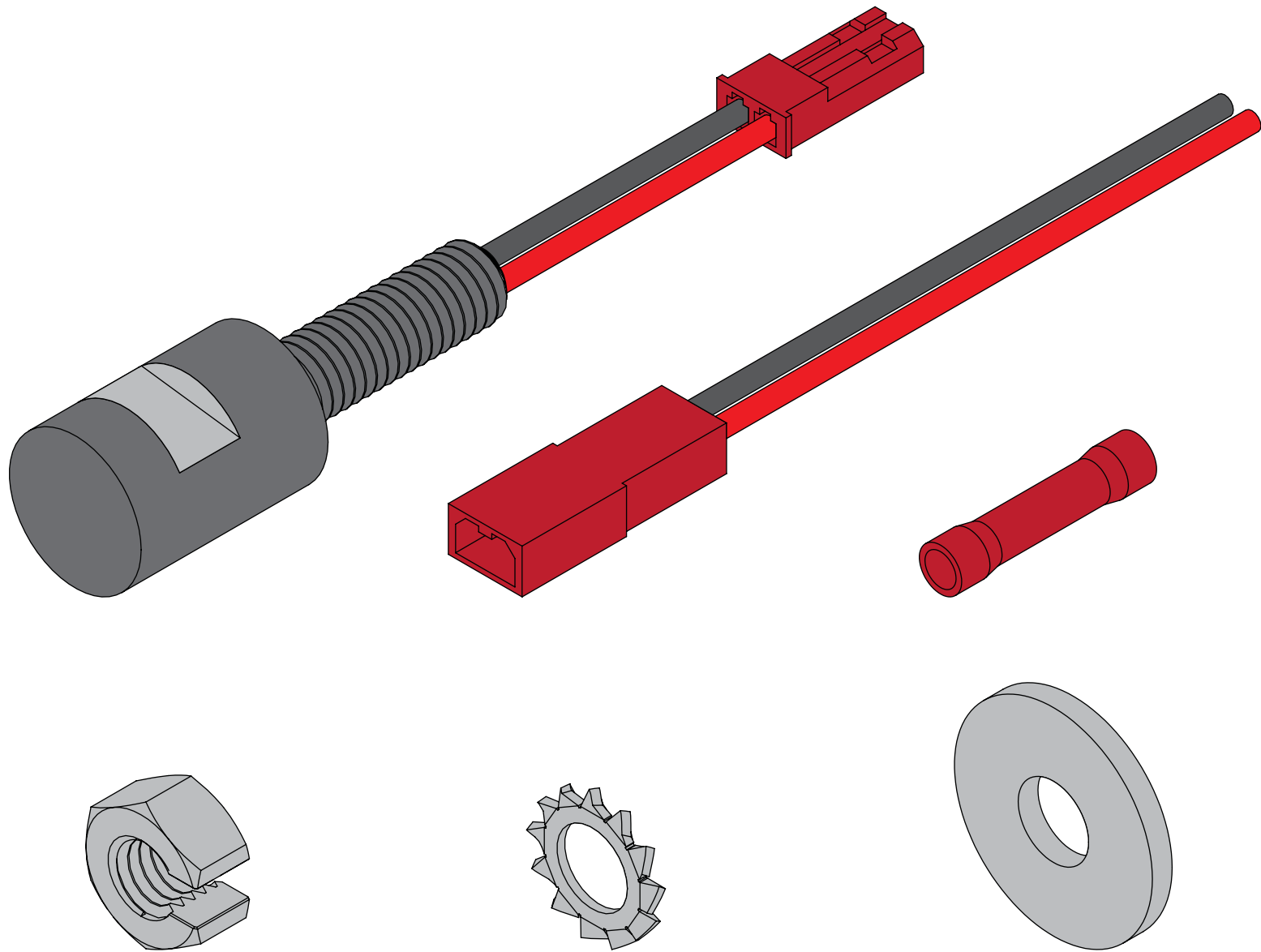


## LED License Plate Bolts



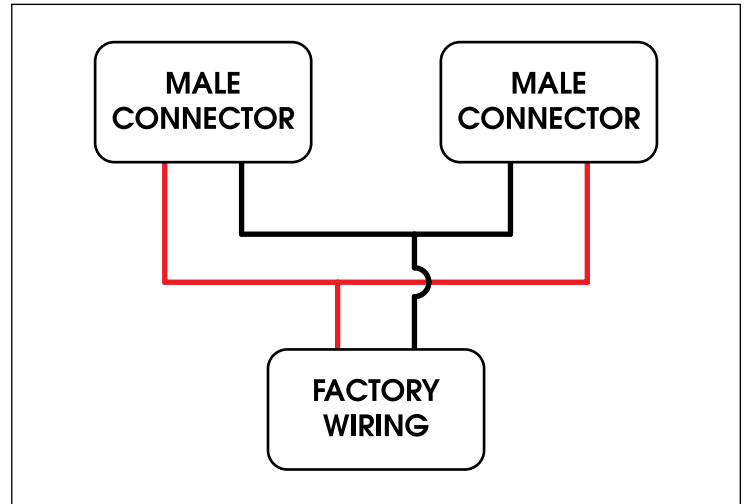
### Components

- 1. LED License Plate Bolt
- 2. Male Connector
- 3. Butt Connector

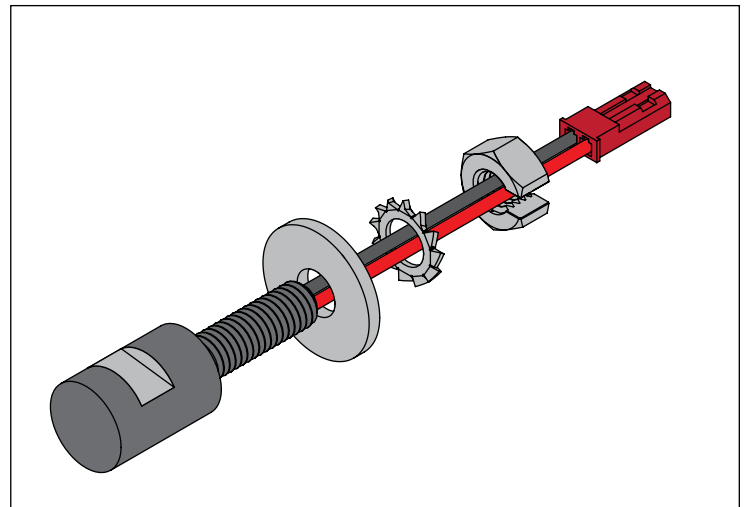
- (2) 4. M6 Slit Nut (2)
- (2) 5. M6 Lock Washer (2)
- (2) 6. M6 Flat Washer (2)

## LED License Plate Bolts

1. Cut and strip license plate light wiring two inches from plug.
2. Using supplied butt connector splice red wires from both supplied Male Connectors into positive wire from license plate wiring.
3. Using supplied butt connector splice black wires from both supplied Male Connectors into negative wire from license plate wiring.



4. Slide supplied M6 Flat Washer and M6 Lock Washer over female plug on LED License Plate Bolt and install M6 Slit Nut over wires.



5. Connect LED License Plate Bolts to the spliced Male Connectors. Turn on lights and aim correctly at license plate.

