

Rugged Ridge Rear LED Cube Mount, RH or LH, JL



Components for 11232.75, LH (passenger side)

1. Upper Light Bracket	1	3. Carriage Bolts	2
2. Lower Light Bracket.....	1	4. Serrated Flange Nuts	2

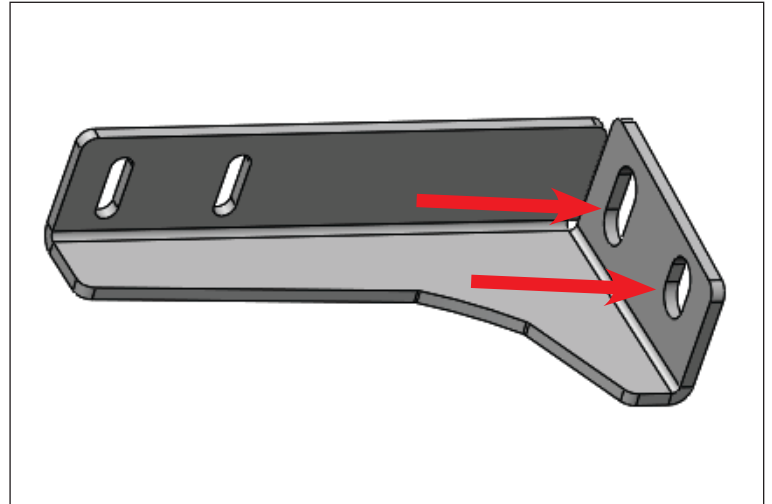


Components for 11232.76, RH (driver side)

1. Upper Light Bracket	1	3. Carriage Bolts	2
2. Lower Light Bracket.....	1	4. Serrated Flange Nuts	2

Rugged Ridge Rear LED Cube Mount, RH or LH, JL

1. First move to underneath your Jeep at the rear bumper. Remove the two bumper bolts located on the side of the frame rail. Now install the lower light bracket to this location and use the OE bolts through the bracket back to the frame-rail.



2. Now feed the upper bracket between the bumper and body. Once you have the upper and lower bracket meeting attach the two items with the provided carriage bolts and serrated flange nuts. Fully tighten all hardware.

Now install the Light of your choice to the bracket. Follow light instructions to properly install.

