

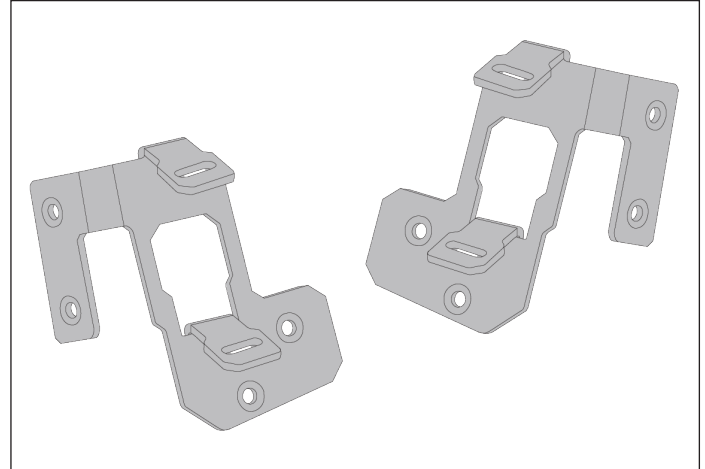
## Windshield Dual Light Bracket

### Contents:

- Bracket, Left Hand (1)
- Bracket, Right Hand (1)

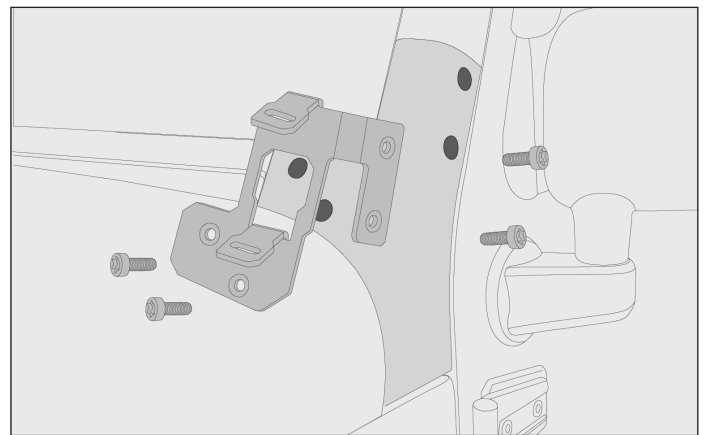
### Tools:

- T40 Torx Bit



1. Unscrew factory hardware from front and side of windshield bracket.

2. Place bracket and secure using factory screws.



3. Install LED lights of choosing.

