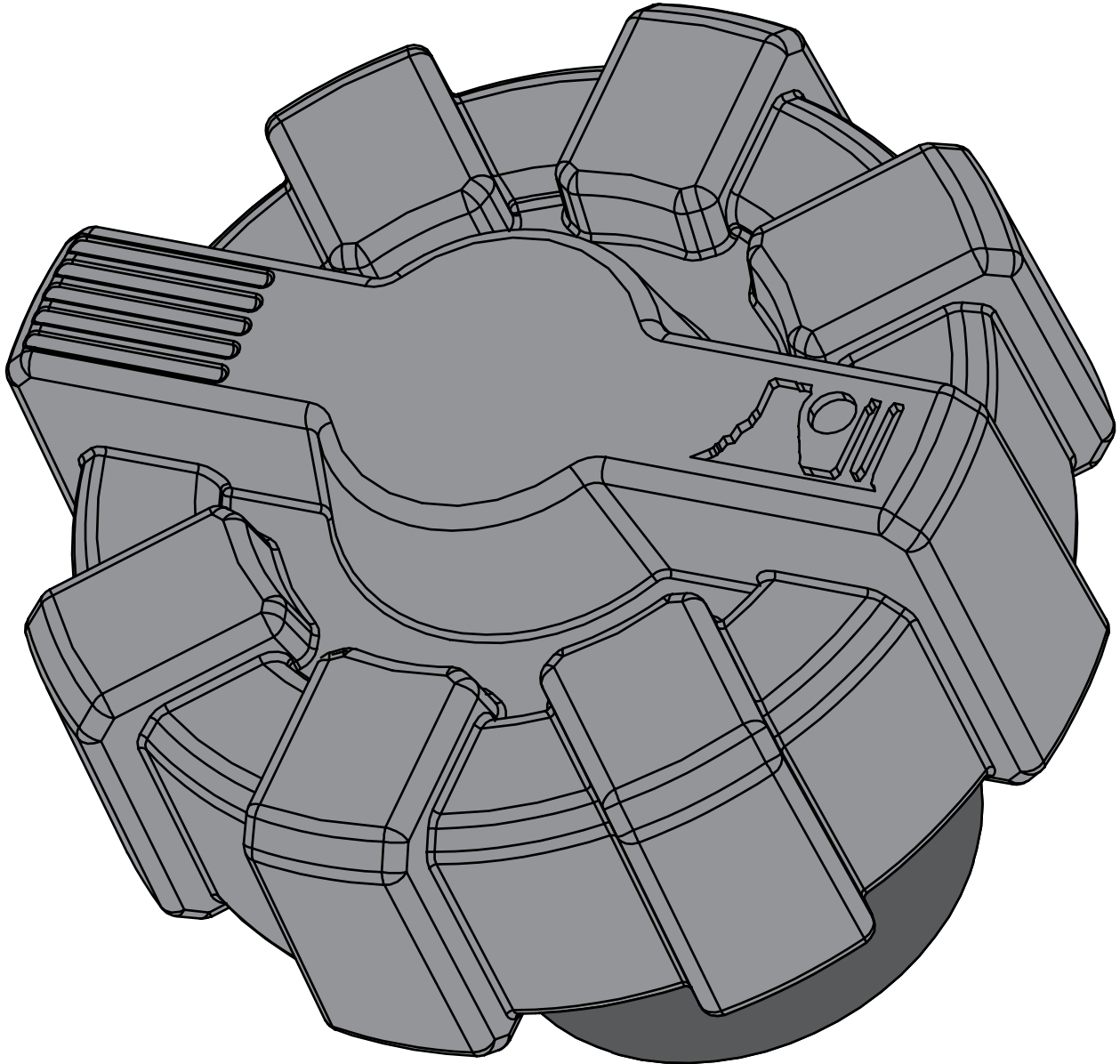




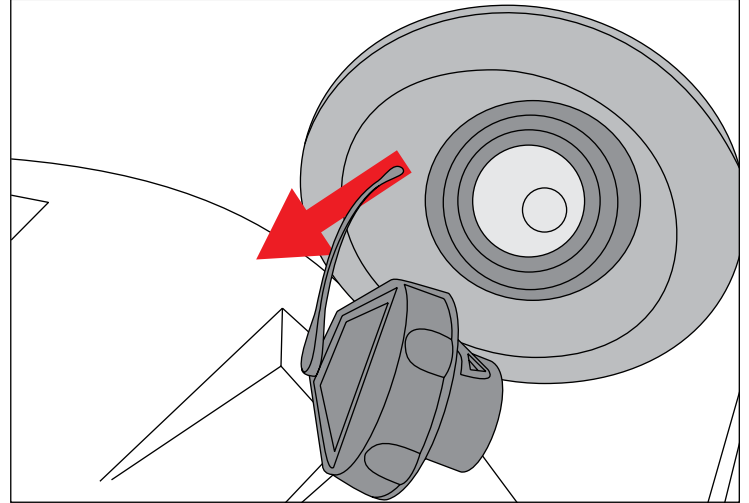
Part # 11229.10  
11229.11  
11229.12  
11229.13

## Elite Aluminum Fuel Cap



## Elite Aluminum Fuel Cap

1. Remove stock fuel cap. Pull fuel cap tether from fuel filler housing.



2. Install new Elite Aluminum Fuel Cap. Fully tighten cap by turning until clicking noise is made.

