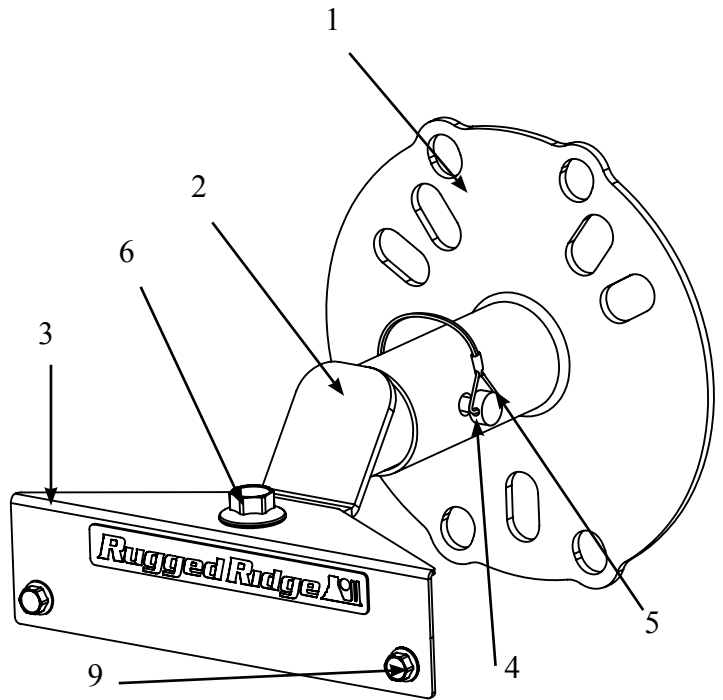


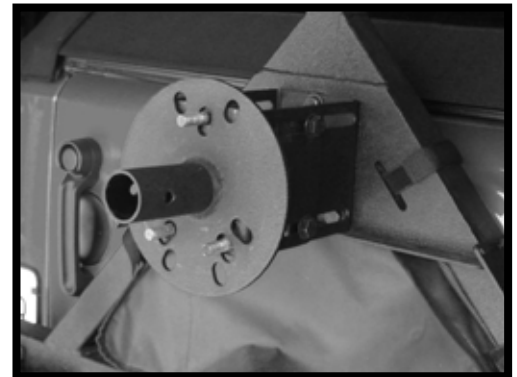
Contents:	QTY
1. Universal Bracket	(1)
2. Light Bracket	(1)
3. License Plate Bracket	(1)
4. Clevis Pin	(1)
5. Safety Catch	(1)
6. M12 Flange Bolt	(1)
7. M12 Washer (not shown)	(1)
8. M12 Nylon Lock Nut (not shown)	(1)
9. M6 Flange Bolt	(2)
10. M6 Washer (not shown)	(2)
11. M6 Nylon Lock Nut (not shown)	(2)



## NOTICE

Please read and understand all instructions before proceeding

1. Remove spare tire from vehicle and install the Universal Bracket.



2. Place the spare tire back on the vehicle and tighten lugnuts.



3. Install Light Bracket into the Universal Plate and insert the Clevis Pin. Be sure Safety Catch is looped over the pin for retention.

*Note: The light bracket can be rotated 180° depending on your needs.*



4. Install your choice of light. If license plate relocation is desired, place License Plate Bracket between light and the Light Bracket. Make sure to tighten securely.

*Note: If not using a light, use supplied M12 bolt, washer, and nylon lock nut to secure the License Plate Bracket to the assembly.*



5. If using the Licence Plate Bracket, use the supplied M6 bolt, washer, and nylon lock nut to attach the license plate to the License Plate Bracket

