

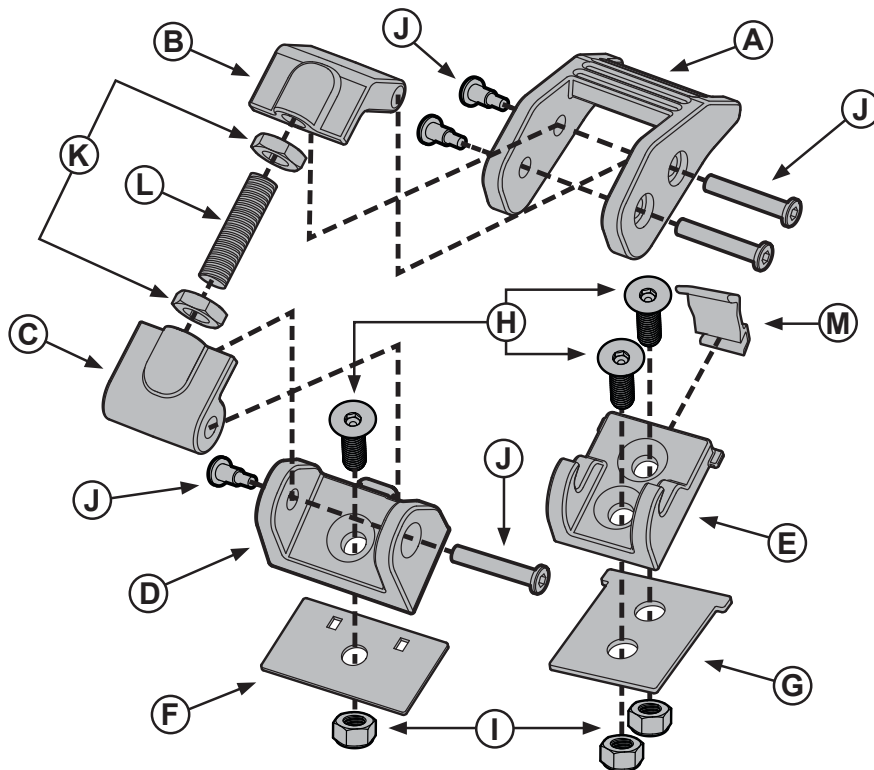
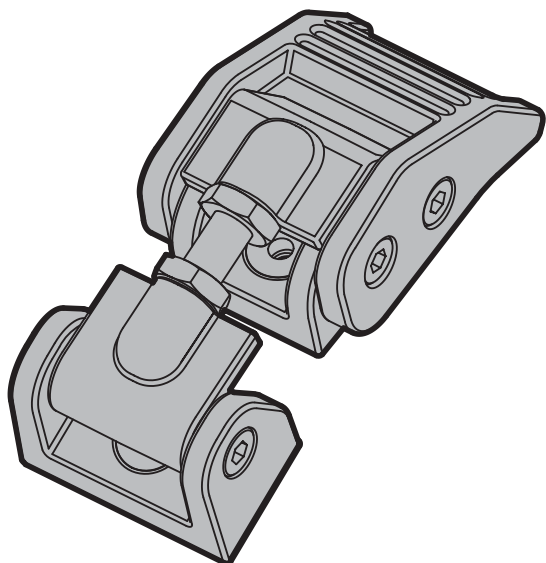


OMIX-ADA, Inc.

11210.15 (Black)  
11210.18 (Textured)

# JEEP® TJ ALUMINUM HOOD CATCH

Patent No. D692290



**Contents:**

- A - Latch
- B - Latch Joint
- C - Pivot Base Joint
- D - Pivot Base
- E - Catch
- F - Pivot Base Gasket
- G - Catch Gasket
- H - Flat Head Bolts
- I - Lock Nuts
- J - Binding Posts
- K - Jam Nuts
- L - Adjustment Rod
- M - Safety Snap

**Suggested Tools:**

- Basic Hand Tools

**CAUTION** Hood catch is intended only as supplemental to Jeep® supplied latch at front of hood. To avoid risk of property damage or injury: Always:

- Assure hood is fully secure by undamaged Jeep® front latch & supplemental side catches.
- Do not modify hood or catches to defeat intended safety of Jeep® primary latch & supplemental catch system.



OMIX-ADA, Inc.

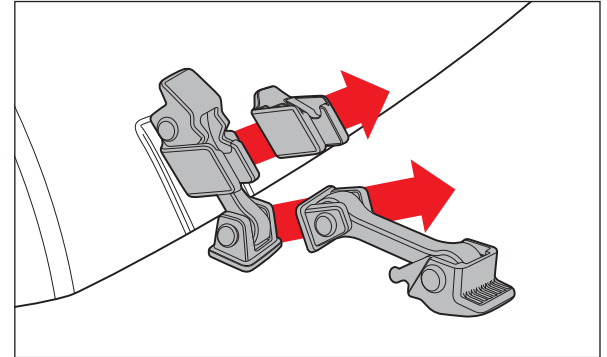


11210.15 (Black)  
11210.18 (Textured)

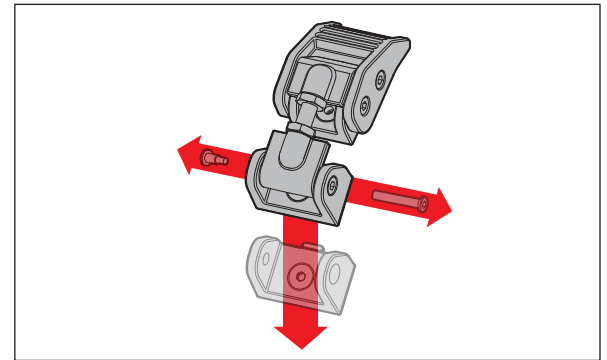
# JEEP® TJ ALUMINUM HOOD CATCH

Patent No. D692290

1. Remove the factory hood catch.



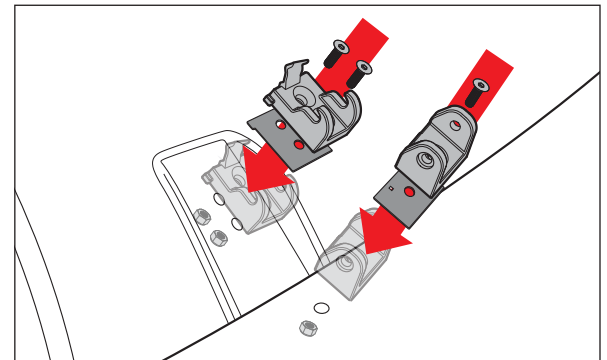
2. Remove the pivot base from the Aluminum Hood Catch assembly.



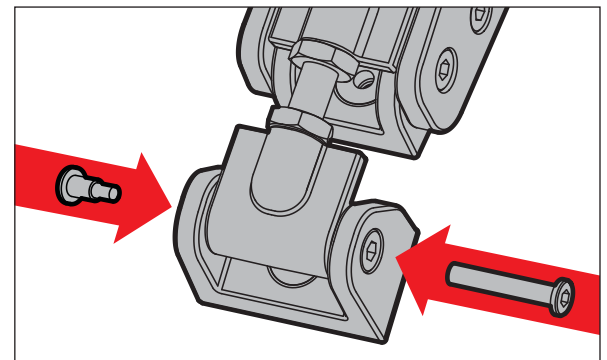
3. Fasten the catch to the hood. Fasten the pivot base to the fender.

**NOTICE**

Be sure safety snap is securely attached to catch.



4. Re-attach the Aluminum Hood Catch assembly to the pivot base using the binding posts removed in Step 2.





OMIX-ADA, Inc.

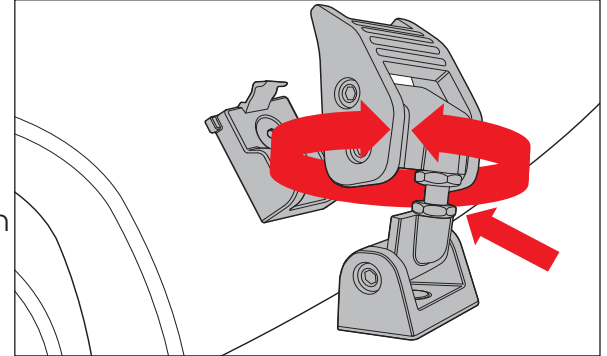
11210.15 (Black)  
11210.18 (Textured)

## JEEP® TJ ALUMINUM HOOD CATCH

Patent No. D692290

5. Adjust the Aluminum Hood Catch by first releasing the latch. With jam nuts loose, rotate latch clockwise to increase tension or counter clockwise to decrease tension. When adjusted properly, hood should contact and slightly compress the hood bumper.

**NOTICE** Be sure adjustment rod has thread engagement equal or greater to 3 threads on each end. Operating vehicle with inadequate thread engagement could result in damage to vehicle.



6. Your Aluminum Hood Catch is installed and road ready!

