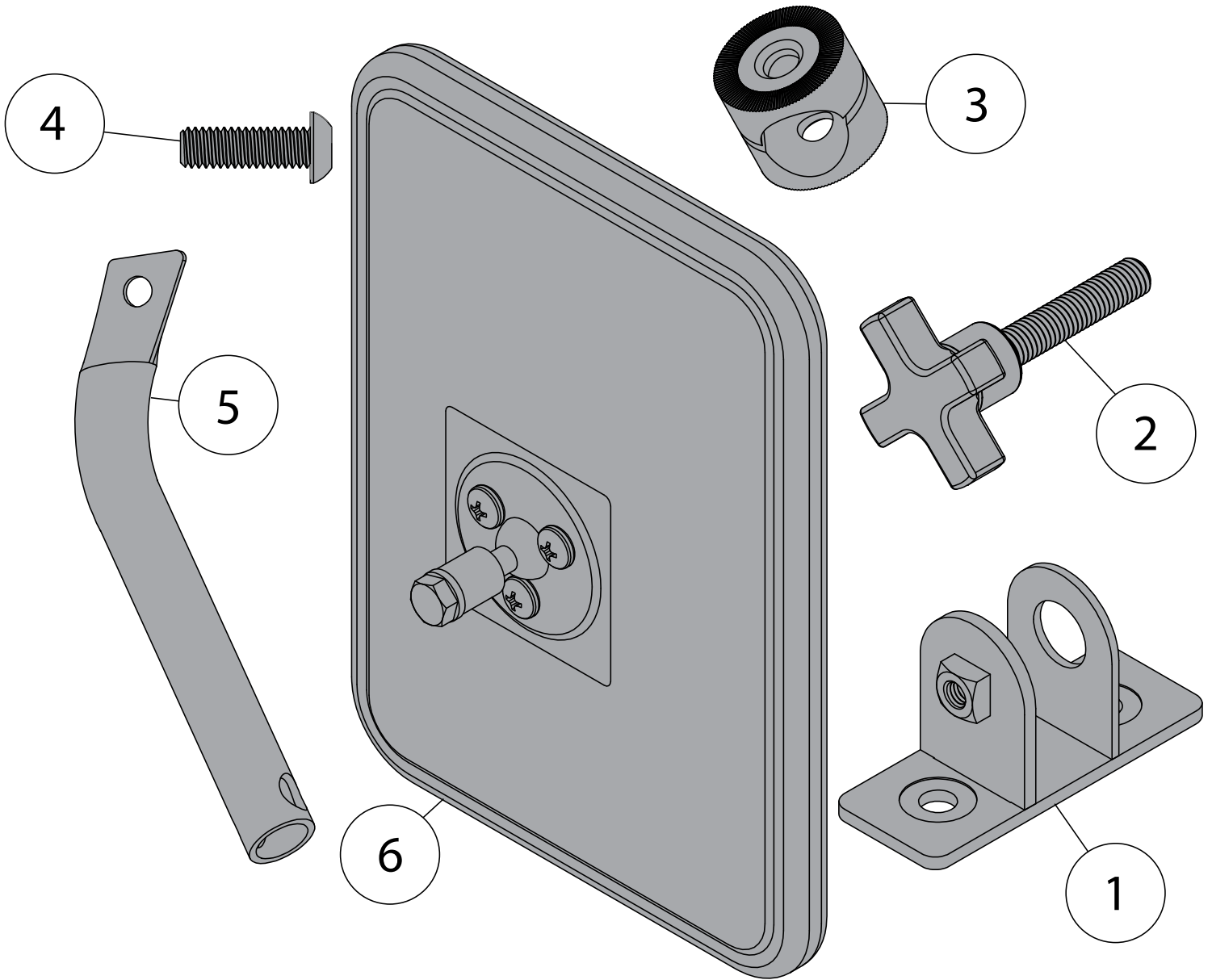


Quick Release Mirror



- 1. Mounting Bracket
- 2. Thumb Screw
- 3. Bushing

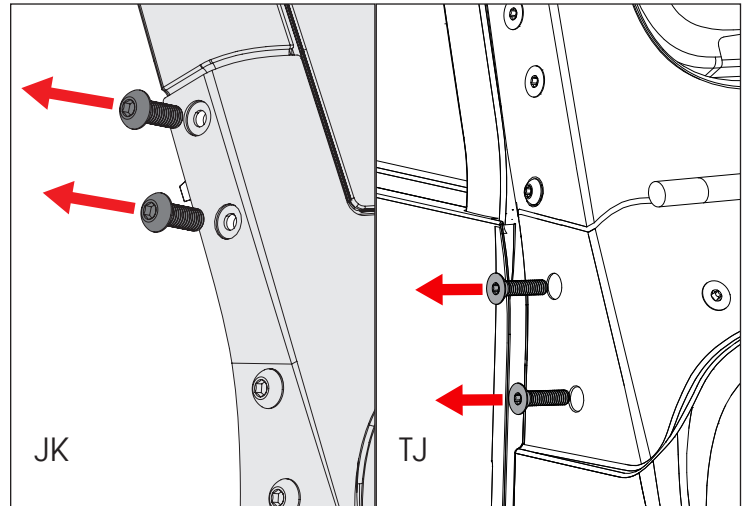
Components

- 4. M8 Bolt
- 5. Arm
- 6. Mirror

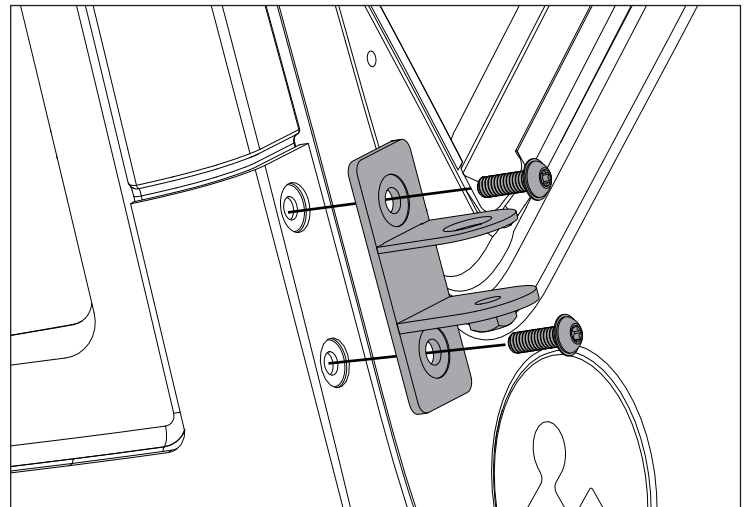
Quick Release Mirror

1. For JK (07-17): Using T40, Torx Wrench, remove two upper windshield bracket bolts.

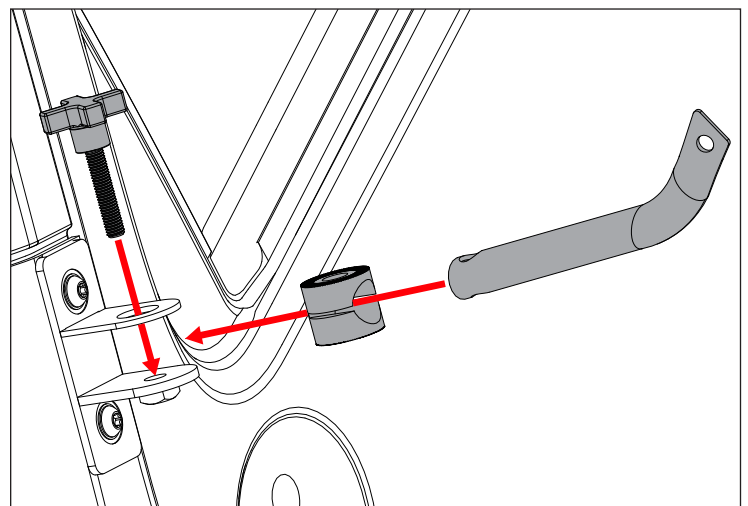
For TJ (96-06): Using T40 Torx Wrench, remove two flush mount torx head bolts just in front of door hinge.



2. Using supplied hardware, install Mounting Bracket with welded nut facing down.



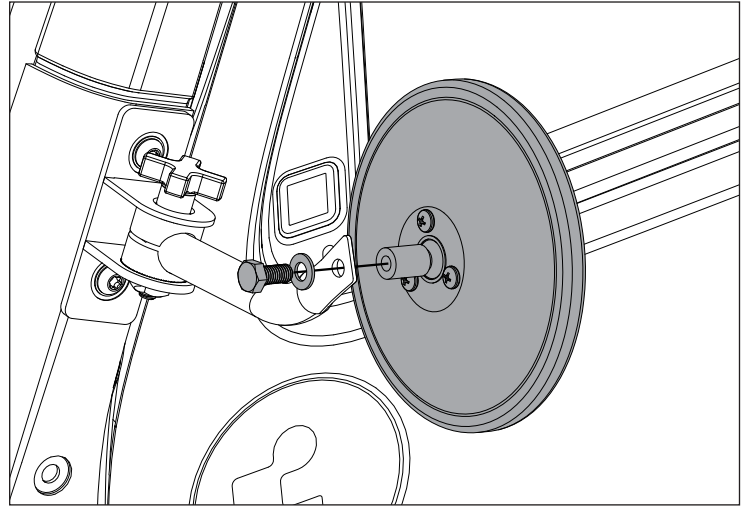
3. Attach Arm to Bushing. Using Thumb Screw, loosely install Bushing and Arm into Mounting Bracket.



Quick Release Mirror

4. Attach Mirror to flat side of MArm using Mirror's hardware. Tighten screws on the back of the Mirror. Mirror should be tight but able to be adjusted if needed.

⚠ WARNING For TJs (97-06), it is recommended to use quick release mirrors without doors on vehicle.



5. When doors are reinstalled remove Arm from bracket. Place Bushings back into Mounting Bracket and tighten Thumb Screw.

