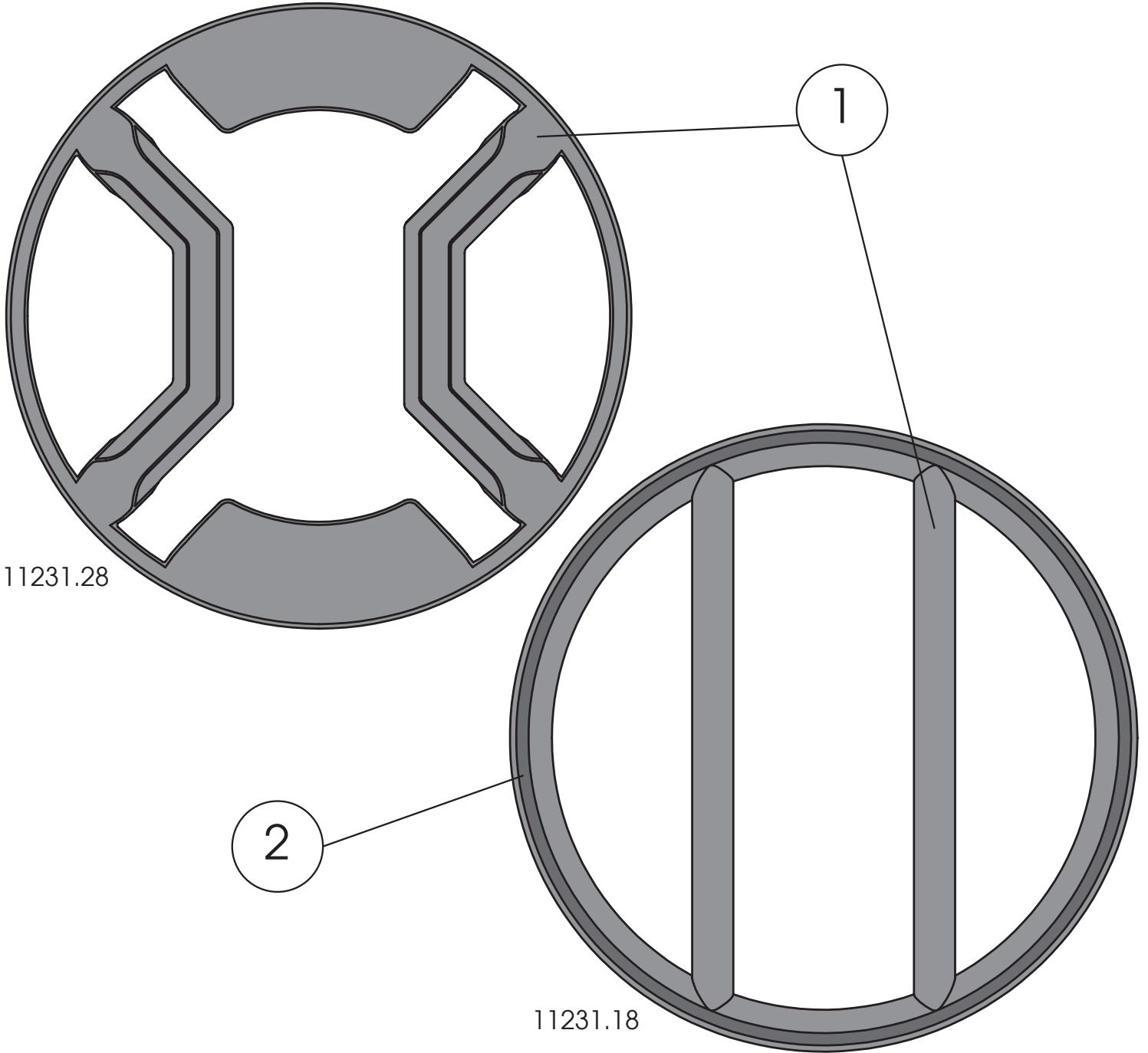


Fog Light Guard



Components

1. Fog Light Guard

(2) 2. O-Ring (11231.18 only)

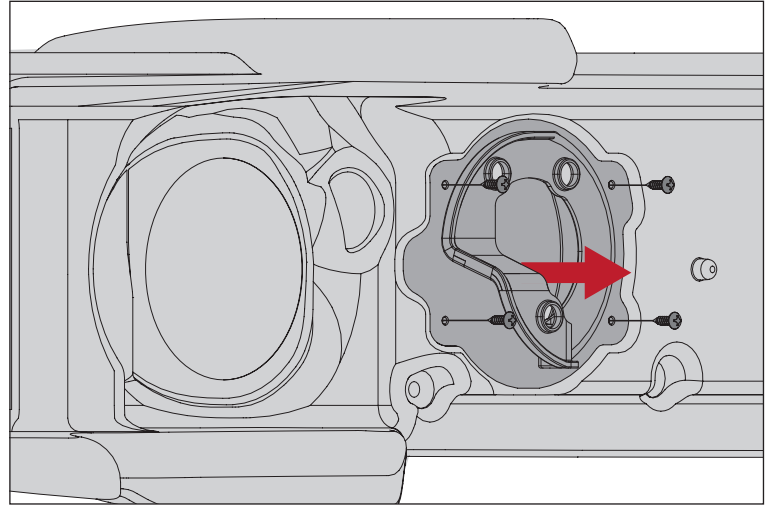
(2)



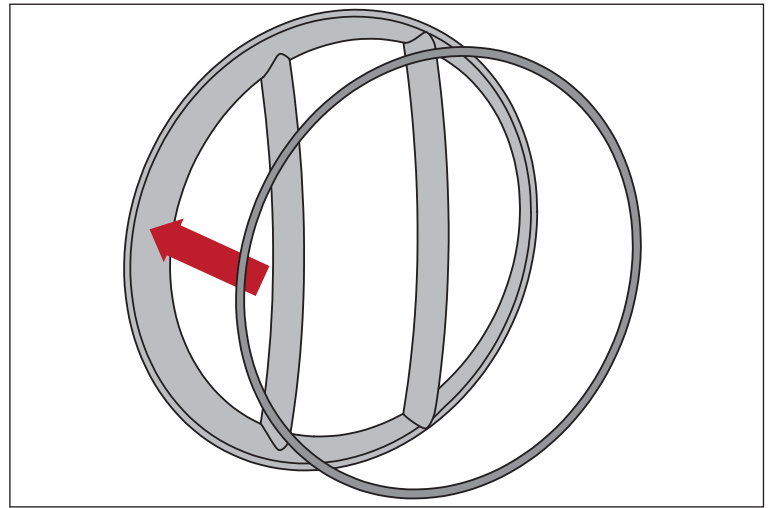
Fog Light Guard

1. From underneath vehicle, locate 4 Phillips Head Screws connecting fog lights to bumper. Remove screws and lights and set aside for later use.

NOTICE Removing plastic air dam may provide easier access.



2. If using O-Ring, place around outside of Guard.



3. Insert Fog Light Guard into fog light opening. If applicable, O-Rings should contact bumper.

4. Reinstall fog light guards and tighten screws.

