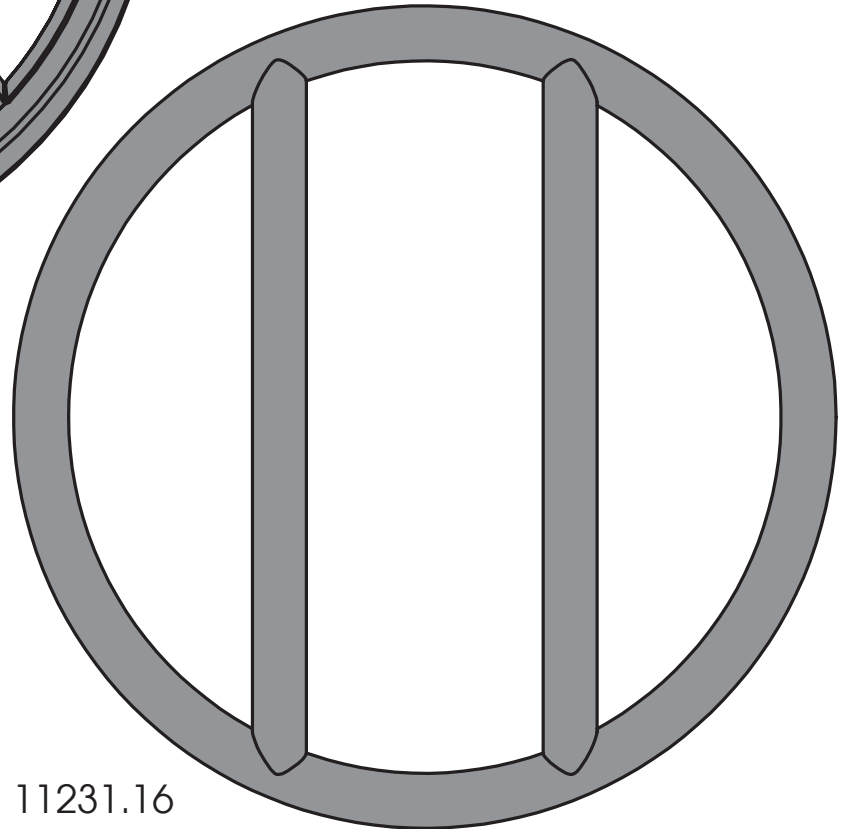
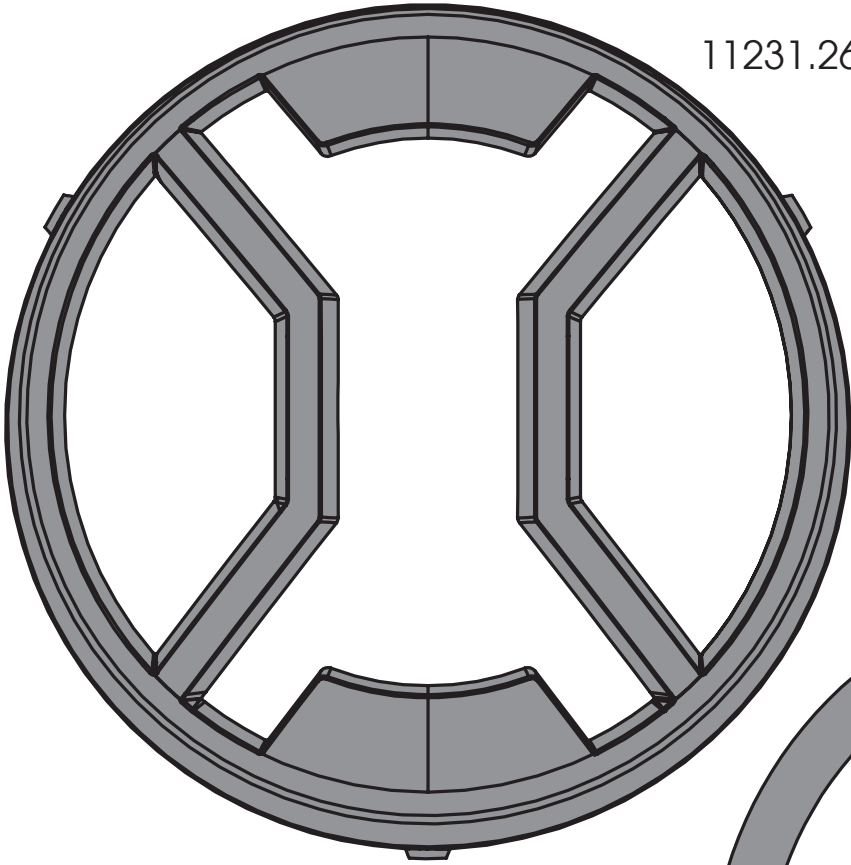
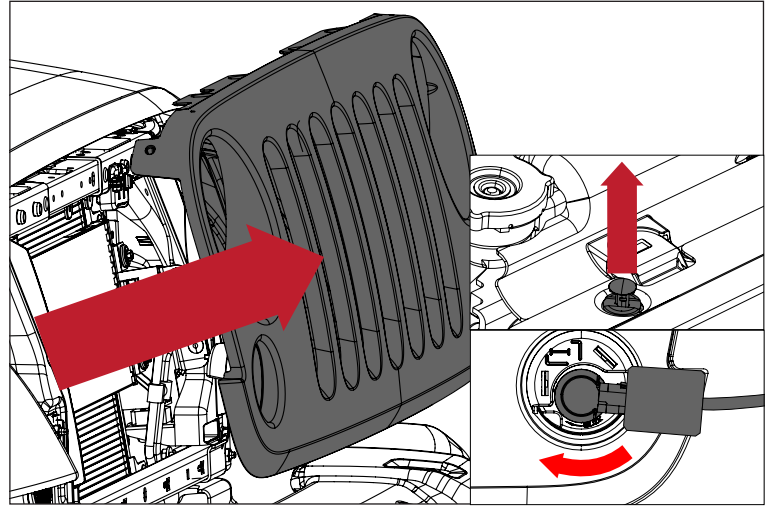


Turn Signal Guard

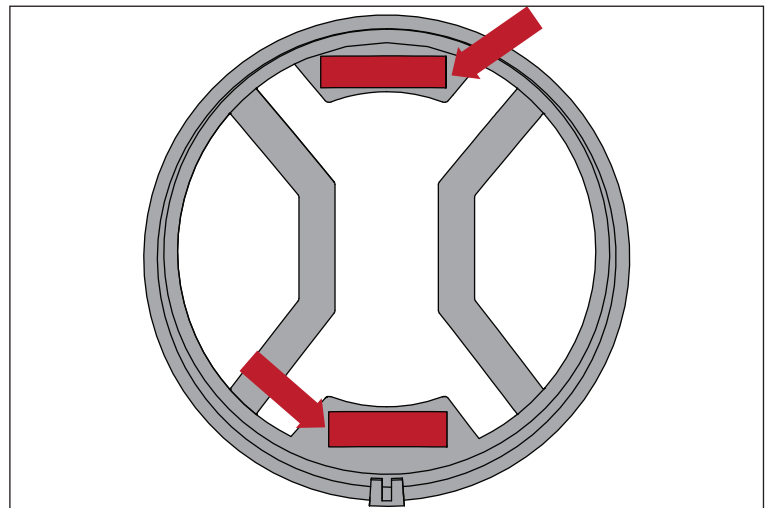


Turn Signal Guard

1. Remove grille from vehicle; disconnect and remove turn signal lights.



2. Remove tape backing from underside of Turn Signal Guard.



3. Clean lens and allow to dry completely.

4. Attach Turn Signal Guard to turn signal using clip on bottom of outer ring. Hook bottom clip first then press bottom surface of light guard into place.

5. Replace grille on vehicle; replace and reconnect turn signal lights.

