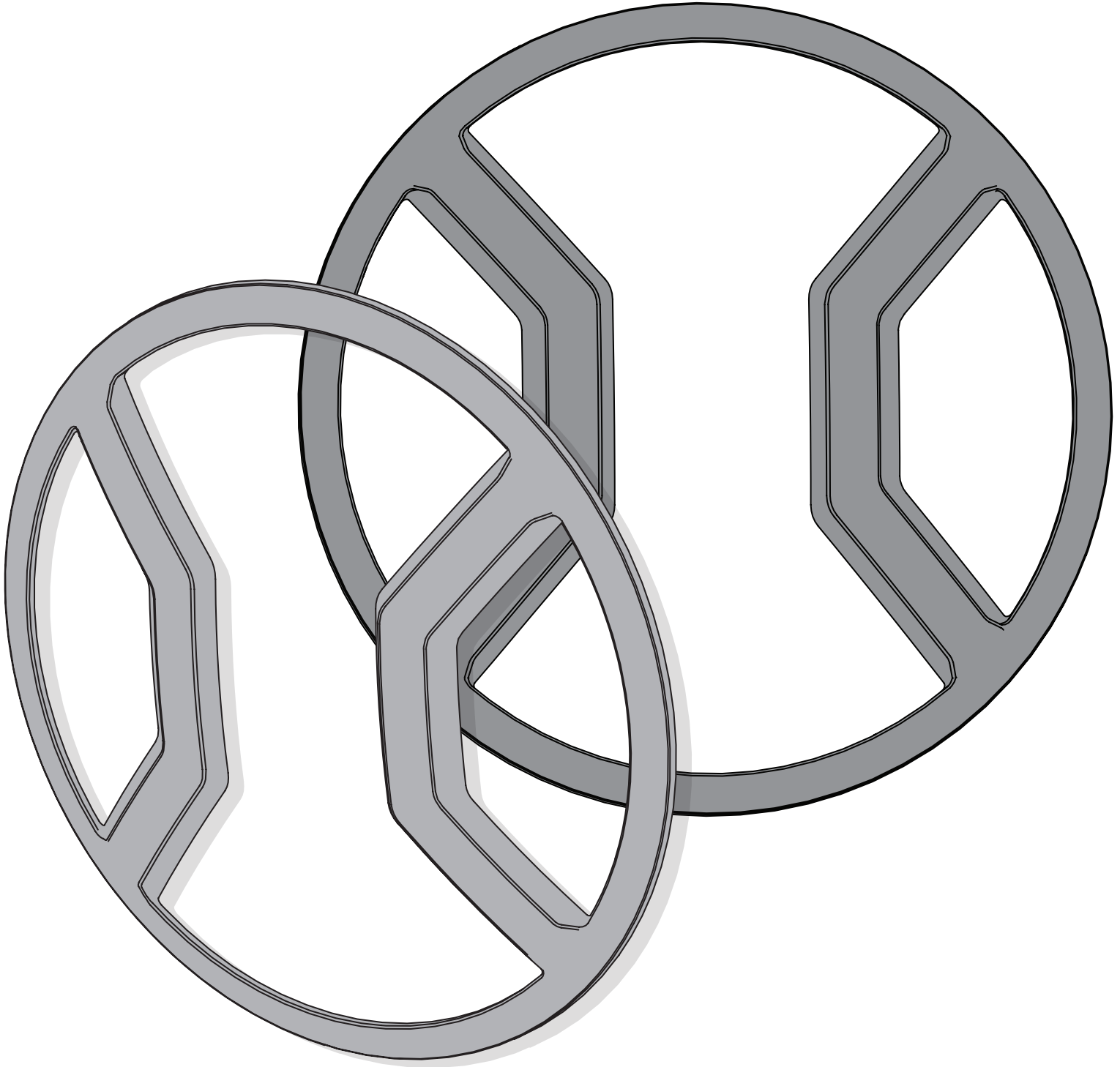
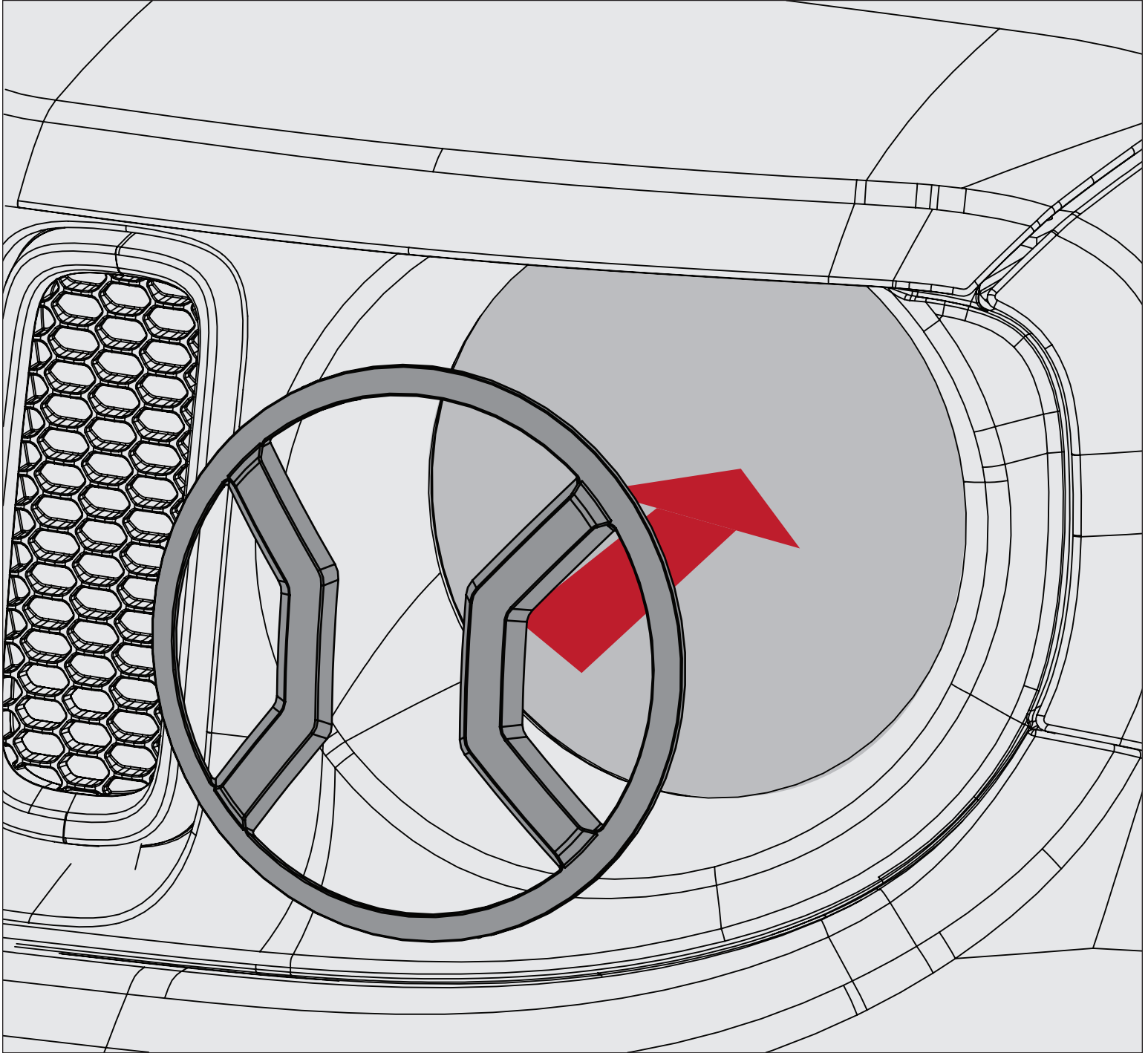


Renegade Headlight Guard





Renegade Headlight Guard



1. Clean headlight lens. Allow to dry completely.
2. Apply promoter to outer edge of lens.
3. Peel off tape backing and attach Headlight Guard to lens. Repeat on second side.