

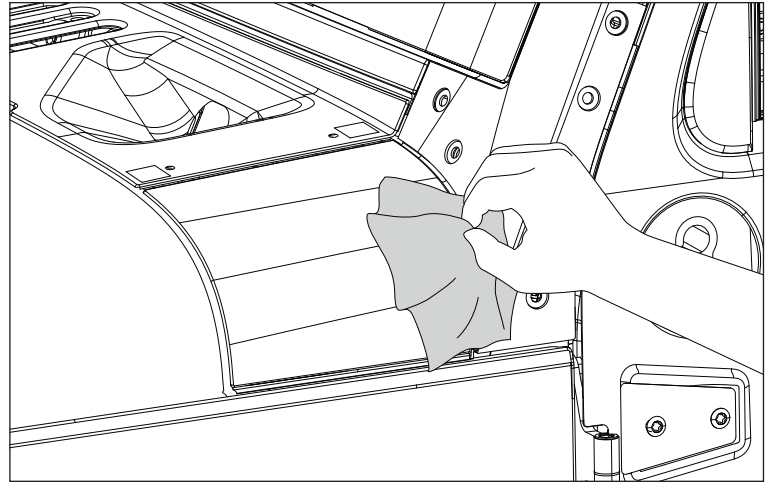
## General Installation for Exterior Tape Mount Accessories

**Read all instructions thoroughly before installation**

**NOTICE** For proper installation, mounting surface of item should be between 4-38° C (40-100° F) prior to application

**NOTICE** This step must be done for adhesive tape to properly mount. Failure to clean could result in poor attachment of item.

1. Clean surface with isopropyl alcohol (rubbing alcohol). Avoid cleaning areas that tape will not contact.

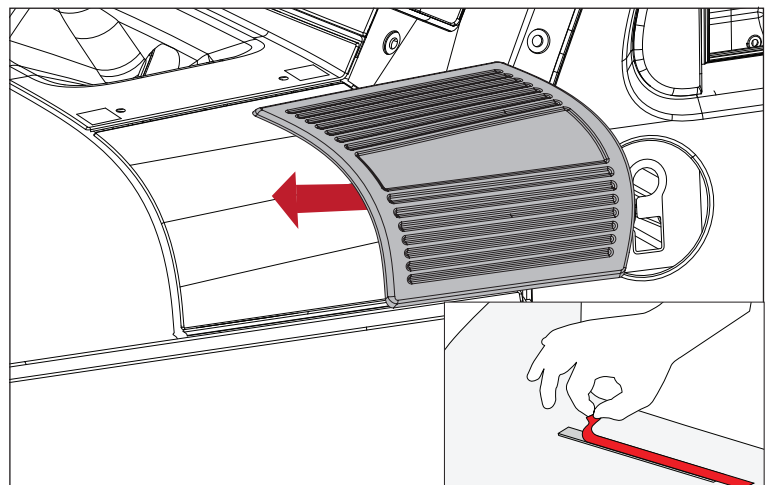


2. Test fit item to the vehicle before removing plastic liner from mounting tape. This will aid in aligning the item before adhesion.

3. Remove only enough plastic liner to be easily gripped when item is installed.

**NOTICE** The plastic liner of the shorter tape sections may need to be fully removed before installing.

4. Install item in proper mounting position while keeping partially removed liner ends accessible.



5. Firmly hold item in proper mounting position while pulling the exposed plastic liner to completely remove. Maintain pressure on installed item for 30 seconds to ensure proper contact. Full adhesion occurs within 24 hours of application.

