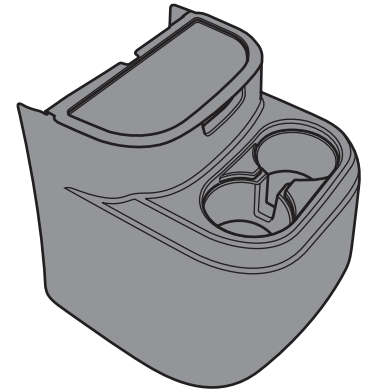


REAR SEAT ORGANIZER JK 2011+ PATENT PENDING

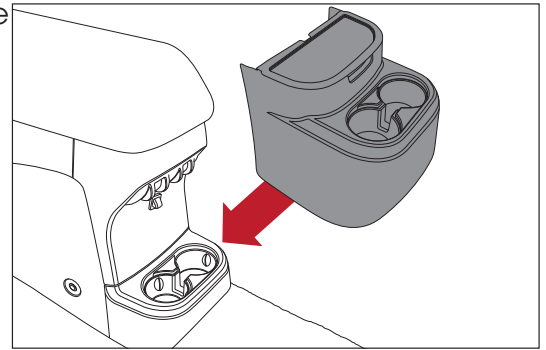
Contents:

- Rear Seat Organizer

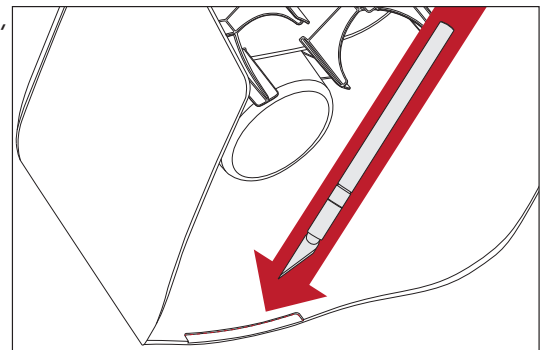


NOTICE Illustrations and product will vary from 2 door to 4 door JK's.

1. Place/push rear seat organizer onto the rear seat cup holder. Make sure factory rubber sleeve is installed in cup holder.



2. **ONLY** If you own a four door Rugged Ridge Floor liner(12975.01/.03), find recess on the underside of the rear seat organizer. Using a razor blade, cut out the recess as shown.



CAUTION Cutting/Sharp Edge Hazard: Cut carefully using gloves and eye protection.

3. Rear seat organizer is now secured and ready for use.

