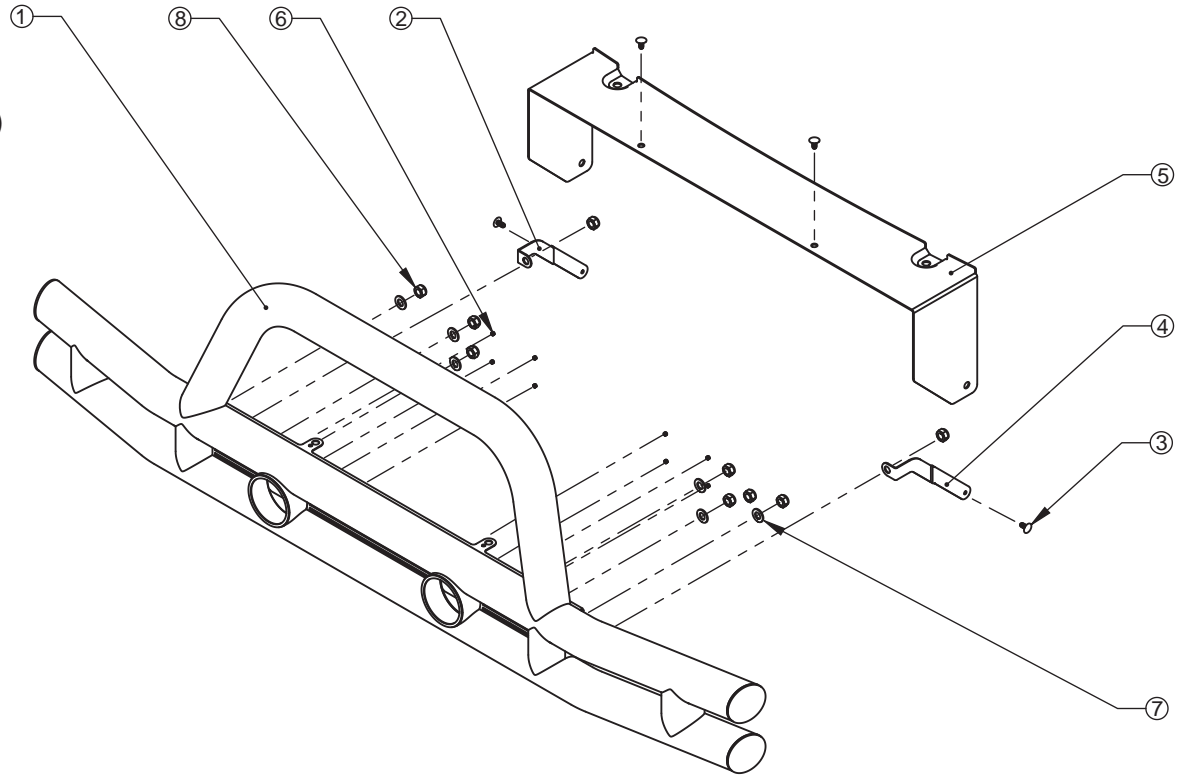


Jeep® JK Wrangler Tube Front Bumper

Contents:

1. Tube Bumper (1)
2. Right Bracket (1)
3. Push Fastener (4)
4. Left Bracket (1)
5. Cover Plate (1)
6. M3 Lock Nut (8)
7. M12 Washer (6)
8. M12 Lock Nut (8)



1. Disconnect fog lights. Remove 4 nuts per frame horn that hold the original front bumper to the vehicle. Remove original bumper.

2. Install the original fog lights into the Center Section from the back (Figure 2a). Use the (8) M3 lock nuts to secure them (Figure 2b).

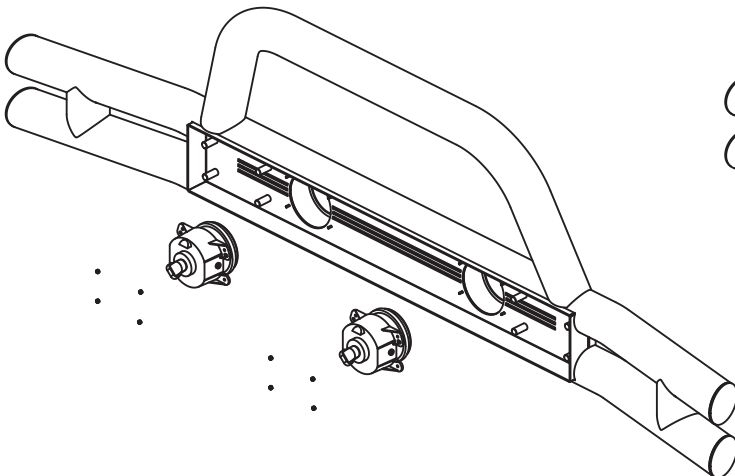


Figure 2a

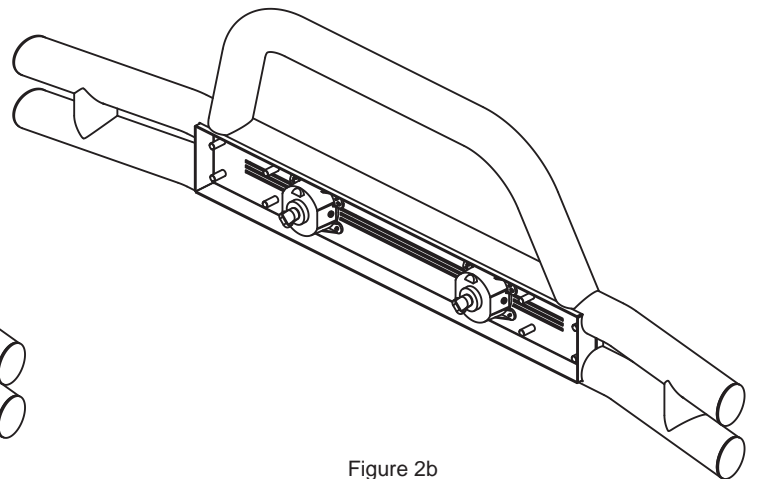


Figure 2b

3. Position Tube Bumper with the 12mm studs facing the vehicle. These studs go through the 8 holes on the front of the frame rails. Place bumper onto vehicle and install 12mm washers and locknuts. Install Brackets on lower outside studs, behind frame rail, as shown. Tighten Lock Nuts, ensuring that the Brackets are not rotated out of vertical.

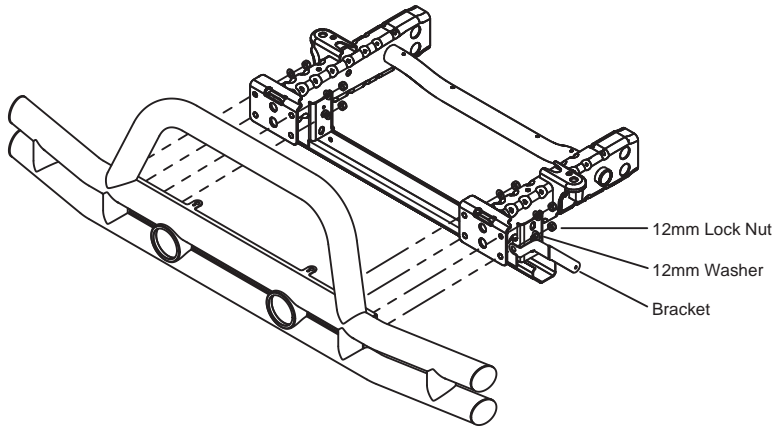


Figure 3a

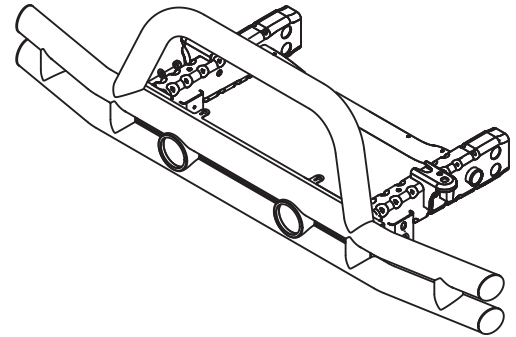


Figure 3b

4. Position Cover Plate over the Tube Bumper (Figure 4a). Drop it over the frame rails (not shown for clarity) and fasten in 4 places with supplied Push Fasteners. Re-use original fasteners on two recessed areas closest to grille.

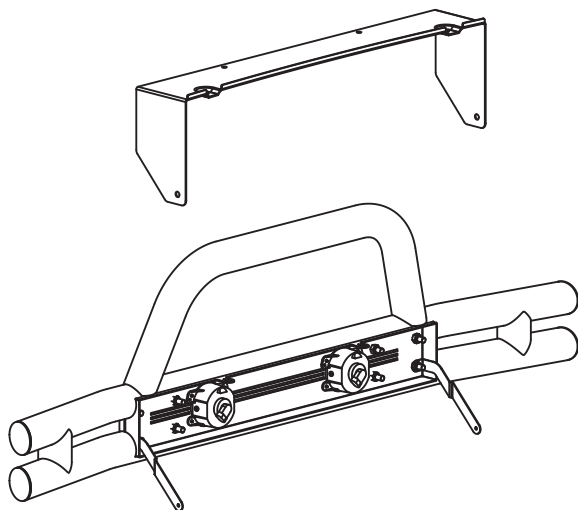


Figure 4a

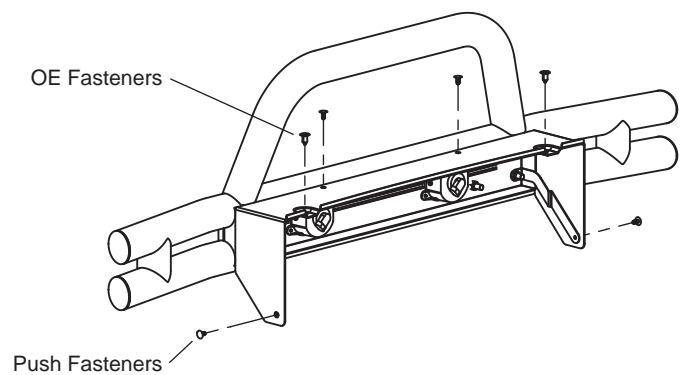
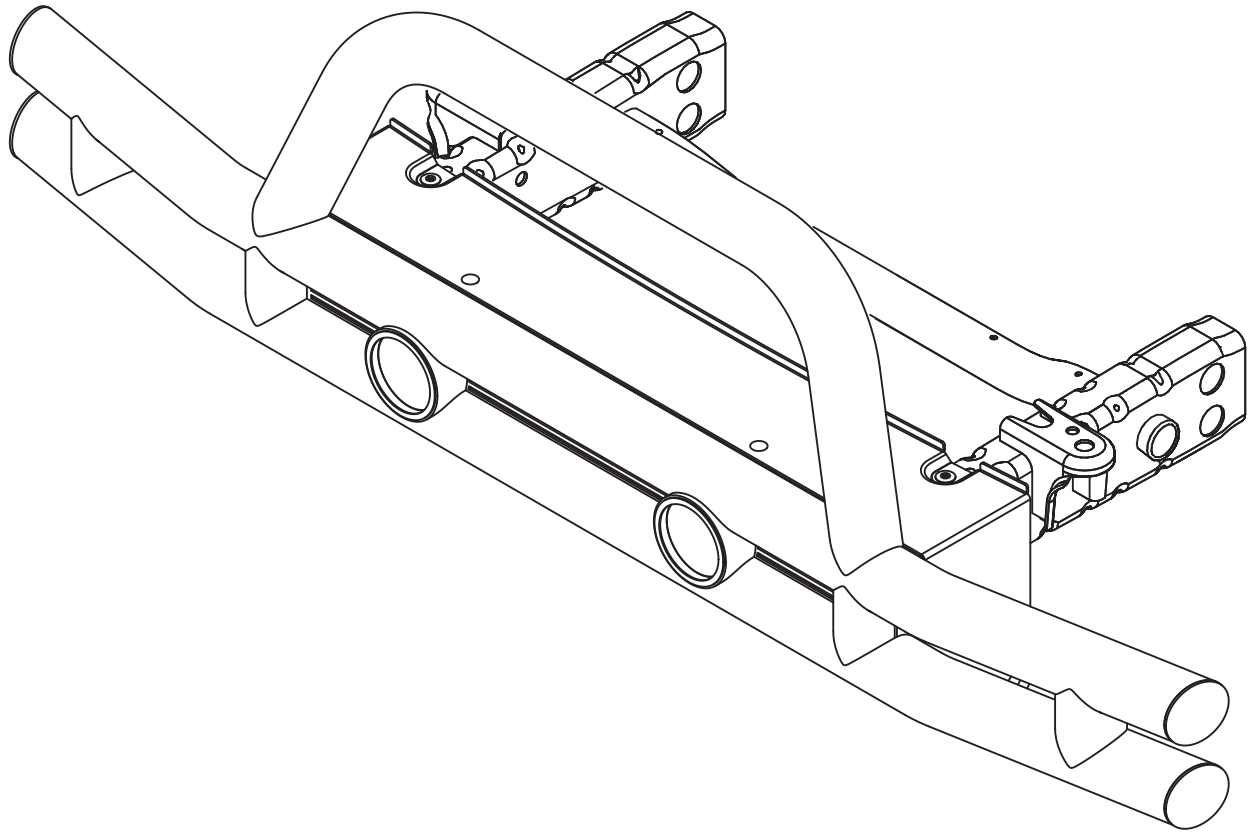


Figure 4b

5. Tighten all hardware. Reconnect Fog Lights. Installation of the Bumper is now complete!



Note: This bumper is not intended to be used for vehicle recovery.