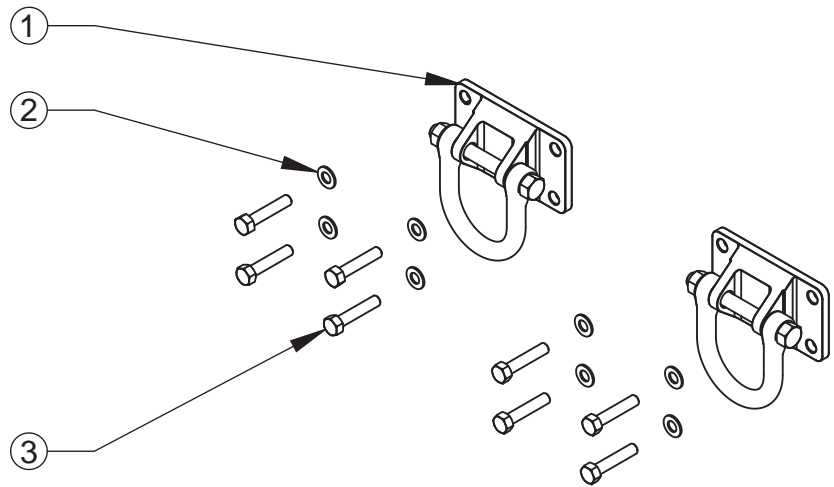


Jeep® JK Wrangler Modular HD Front Bumper SS D-Rings

Contents:

1. Stainless Steel D-Rings (2)
2. 12mm Stainless Washer (8)
3. 12mm Stainless Bolt (8)



1. If installing as part of a new installation, place Center Section of Bumper onto frame rails, but do not yet attach. If SS D-Rings are being added to an existing installation, remove existing D-Rings from Center Section. Center Section should be sitting on the frame rails, but not attached (Figure 1).

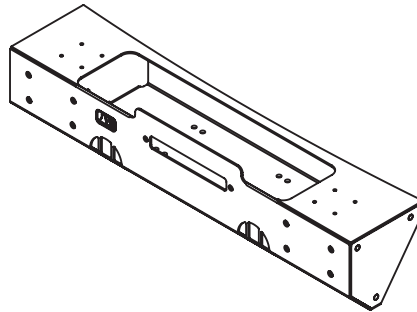


Figure 1

2. Install 8 SS Bolts through the SS Washers, through the SS D-Rings, through the Center Section, through the Frame Horns, and into the Washers and Lock Nuts provided with Center Section. Do not tighten any of them yet.

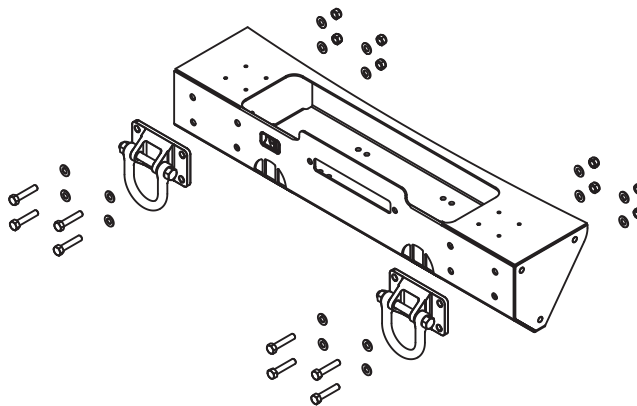
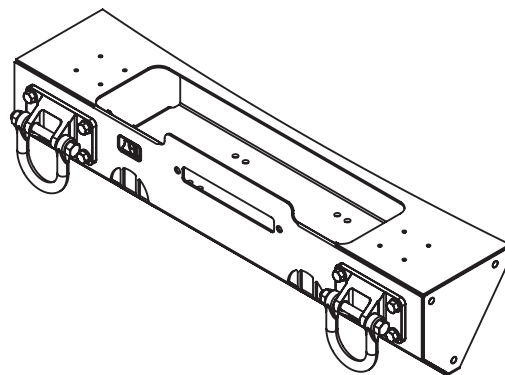
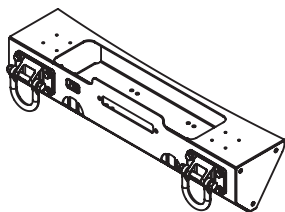


Figure 2a

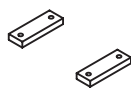
3. Once all 8 bolts have been started, tighten them. Installation is now complete!



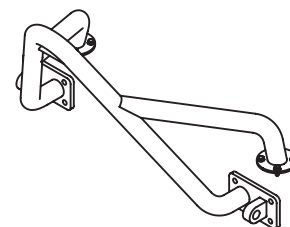
Congratulations on the purchase and installation of a quality Rugged Ridge product! Ask your retailer about the following additional accessories to the JK Modular HD Bumper:



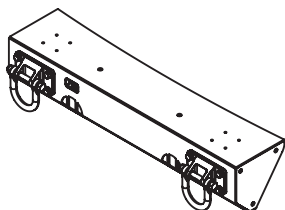
11540.10 - Winch Center Section



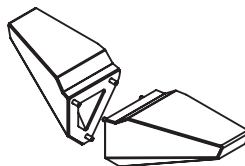
11540.15 - Optional Spacers for use with Warn® Powerplant Winch



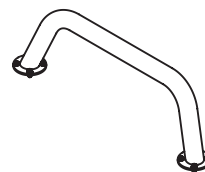
11540.13 - Optional Stinger



11540.11 - Non-winch Center Section



11540.12 - Optional Bumper Ends



11540.14 - Optional Hoop - Black
11540.16 - Optional Hoop - Stainless