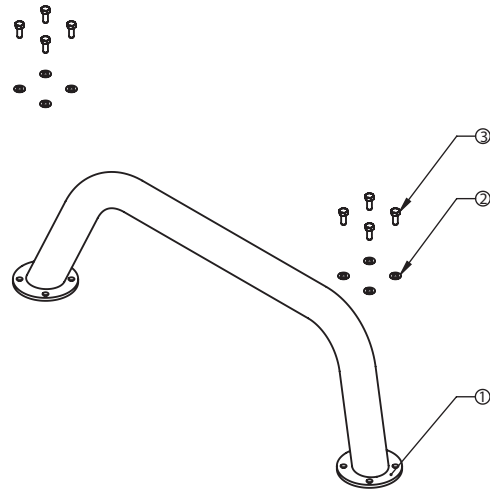


Jeep® JK Wrangler Modular HD Stainless Front Bumper Hoop

Contents:

1. Stainless Hoop (1)
2. Stainless 8mm Washer (8)
3. Stainless 8mm Bolt (8)



1. Center Section of Modular HD Bumper should already be installed on vehicle. If hoop is replacing a different style of hoop, remove it such that you are left with empty top holes, as shown in Figure 1.

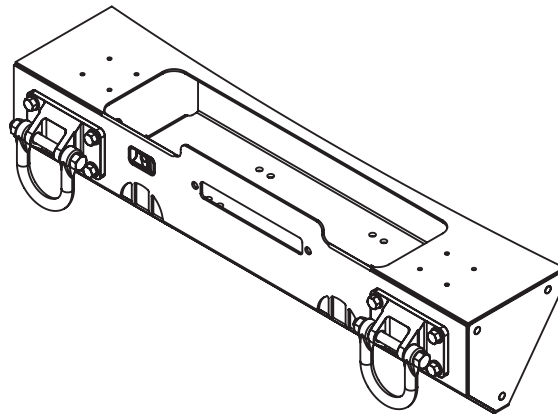


Figure 1

2. Position Hoop over the Center Section, aligning the holes in the Hoop with the holes in the top of the Center Section (Figure 2a). Note that the Hoop can be installed leaning back or leaning forward, depending on the desired look (Figure 2b). Start all bolts, but do not tighten them.

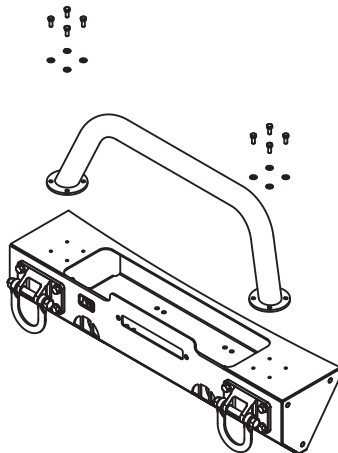


Figure 2a

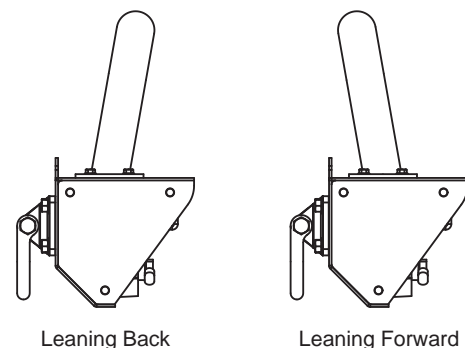
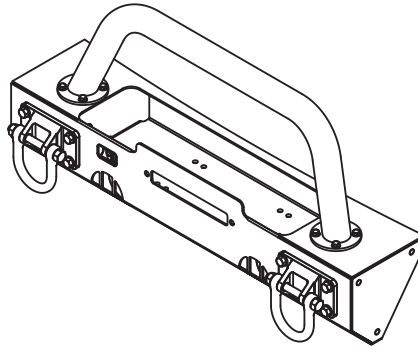
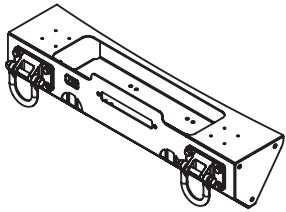


Figure 2b

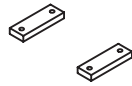
3. Once all 8 bolts have been started, tighten them. Installation is now complete!
 Note: Hoop is not to be used for vehicle recovery. Only the D-Rings on the front of the bumper are to be used. Hoop is not to be used for towing or vehicle recovery.



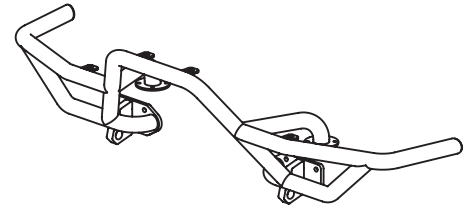
Congratulations on the purchase and installation of a quality Rugged Ridge product! Ask your retailer about the following additional accessories to the JK Modular HD Bumper:



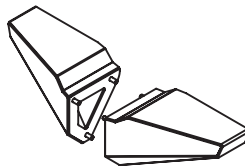
11540.10 - Winch Center Section



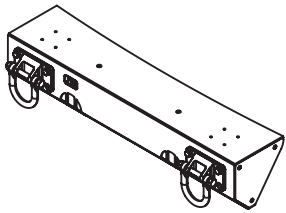
11540.15 - Optional Spacers for use with Warn® Powerplant Winch



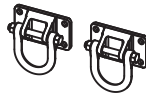
11540.17 - Optional RRC Hoop



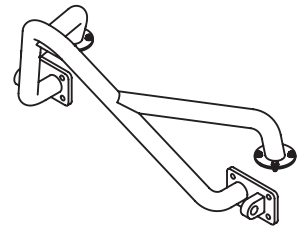
11540.12 - Optional Bumper Ends



11540.11 - Non-winch Center Section



11540.17 - Optional Stainless D-Rings



11540.13 - Optional Stinger