

RUGGED COVER

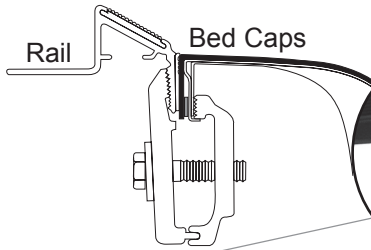
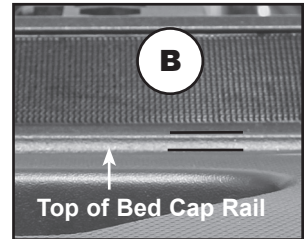
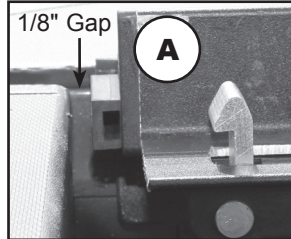
Premium Vinyl Rollup Cover Installation Instructions

1

GENERIC INSTALLATION OF SIDE RAILS

Lining Up Side Rail Instructions:

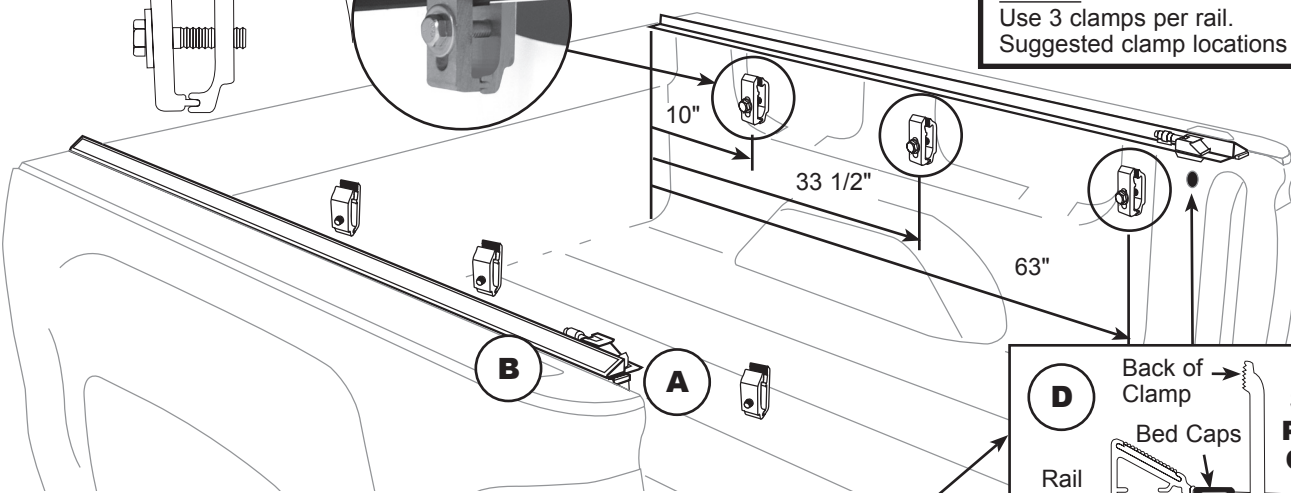
- A. Align the end of the side rail 1/8" from inside edge of the tailgate.
- B. Align the top edge of the rubber seal attached on the back side of the rail with the top edge of the bed rail cap.



Small Front Clamp

NOTE:

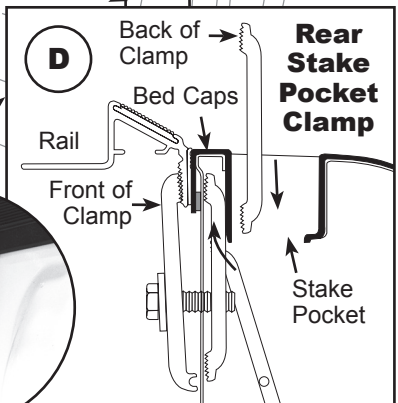
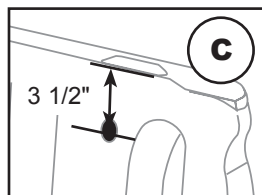
Use 3 clamps per rail.
Suggested clamp locations below.



Rear Clamp Instructions For Chevrolet Pickups With A Bedliner:

- C. Measure from the top edge of the bed cap to the middle of the hole. Drill hole with 3/4" bit before clamping.
- D. Insert the back part of the stake pocket clamp down through the rear stake hole and insert top of clamp under the plastic rail cap inside the stake pocket.

Chevrolet Rear Clamp Location

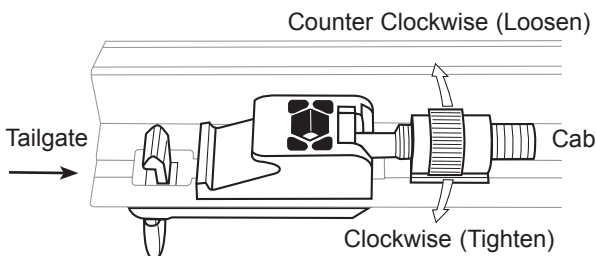


Chevrolet Without Bedliner

2

TIPS FOR INSTALLING

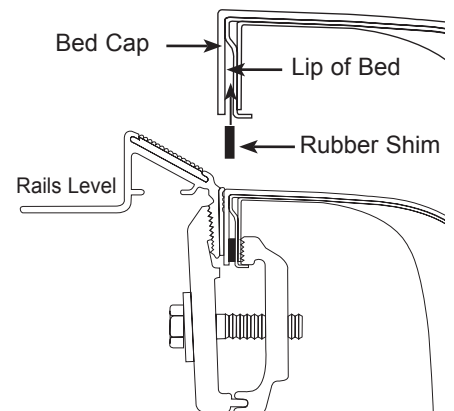
Adjusting Tensioner



NOTE:

If your truck has aftermarket or factory bed caps, use hard rubber shims. Failure to do so may cause side rails not to sit level and could cause damage to vehicle. Shim must be installed at each clamp location.

Shim Installation



RUGGED COVER

Premium Vinyl Rollup Cover Installation Instructions

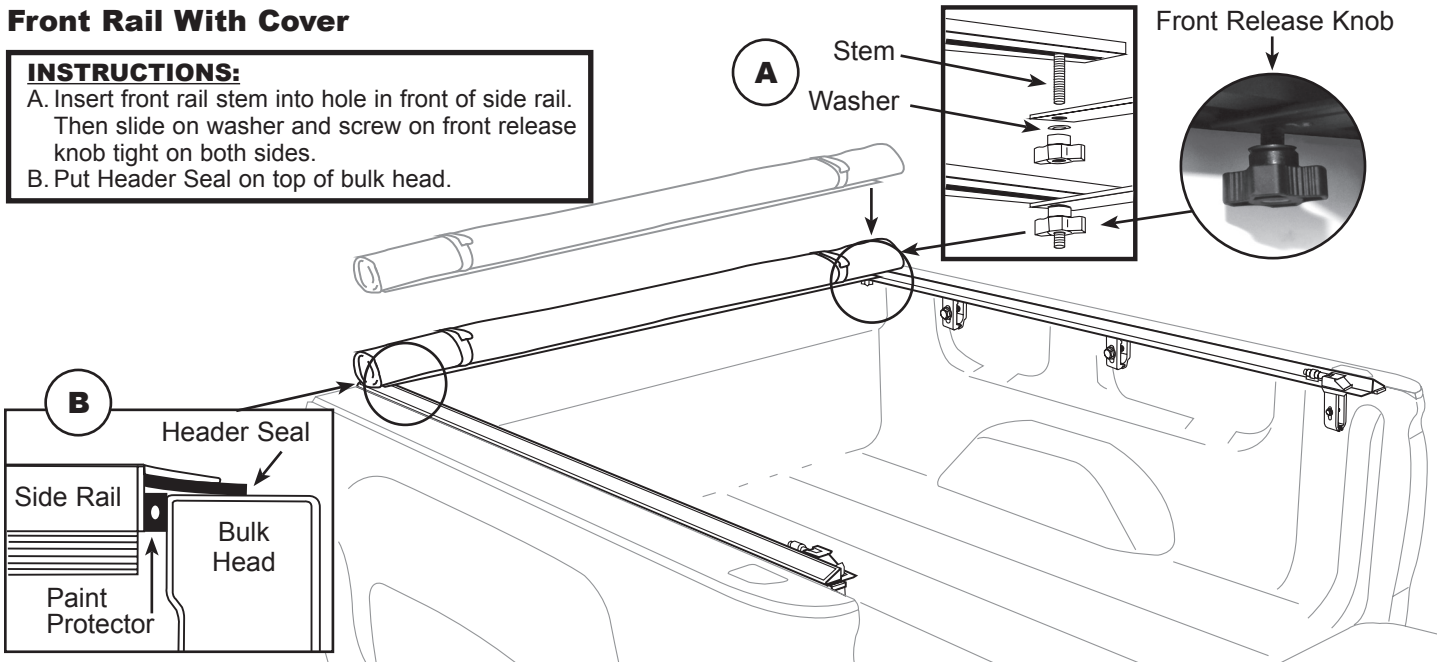
3

INSTALLING FRONT CAB RAIL

Front Rail With Cover

INSTRUCTIONS:

- A. Insert front rail stem into hole in front of side rail. Then slide on washer and screw on front release knob tight on both sides.
- B. Put Header Seal on top of bulk head.



4

FOR UTILITY TRACK SYSTEMS

Installing Side Rails

