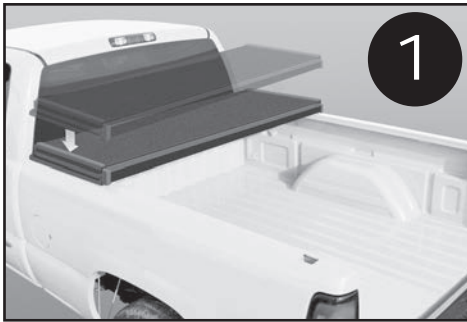


# RUGGED COVER II

## Hard Tri-Fold Tonneau Installation Instructions

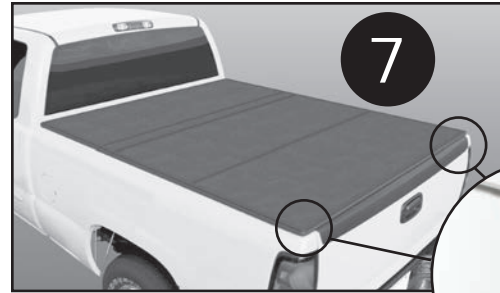


**1**

**1.** Place the cover on front of truck bed.



Place dust seal between cab and truck bed.



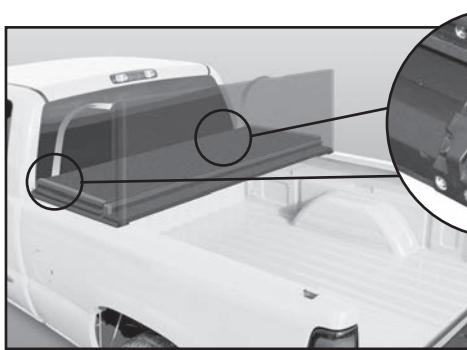
**7**

**7.** Cover is laying down flat.



**8**

**8a.** Secure tailgate clamp hooks for a snug fit.



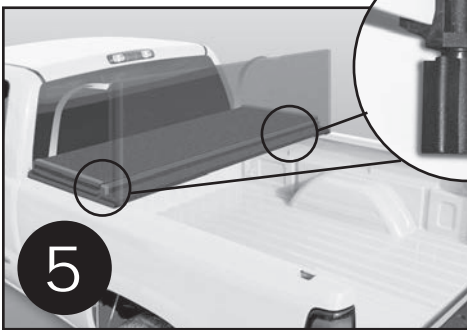
**2**

**2.** Undo both tie-down straps so cover can be unfolded.



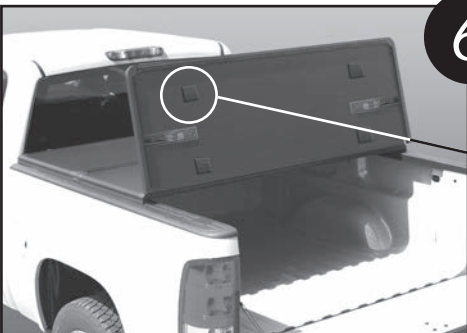
**3**

**3.** Unfold the cover all the way open to align cover on the truck bed rails before clamping.



**4**

**4.** Secure cab clamp hooks under the metal bed rail. Toyota Models Only - Tighten lock nut at bottom of knob.



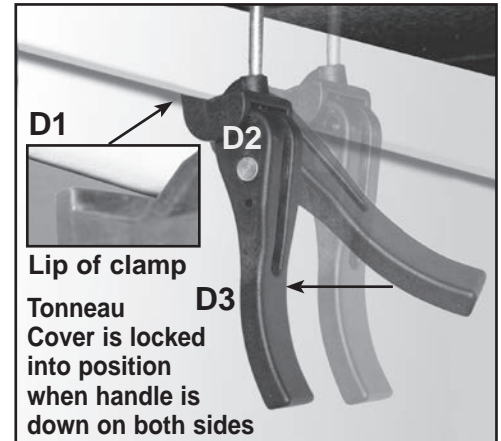
**5**

**5.** Unfold first section.

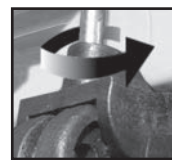
**6**

**6.** Unfold second section.

**IMPORTANT**  
DO NOT remove foam blocks. They protect surface of panel when folding. Voids Warranty.



**8b.** To clamp cover down, put lip of clamp hooks under the side metal bed rail and push handle down. (See D1, D2, D3)



### How To Adjust Clamps

- To adjust, turn clamp hook clockwise to tighten or counter clockwise to loosen.

### 9. Vehicles With Utility Track

- Slide aluminum blocks into track, position and tighten set-screw.
- Secure cab and tailgate clamp hooks on to aluminum blocks.



Cab



Tailgate

### 10. Paint Protectors

- Apply to inside metal bed rail at each latch location

\*Patent No's.

8,348,328/8,256,824/8,511,736