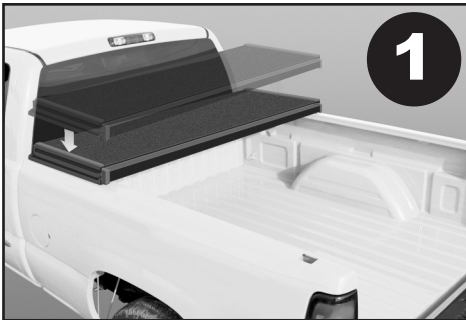


E - SERIES

Hard Tri-Fold Tonneau Installation Instructions

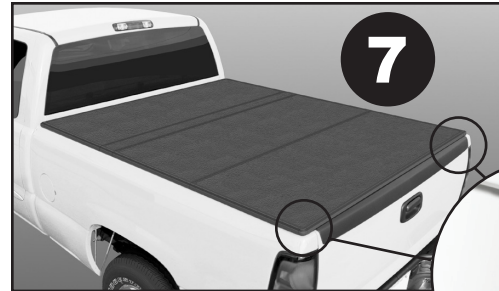


1

1. Place the cover on front of truck bed.



Place dust seal between cab and truck bed.



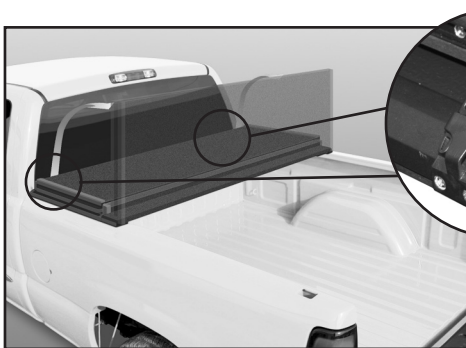
7

7. Cover is laying down flat.

8



- 8a. Secure tailgate clamp hooks for a snug fit.



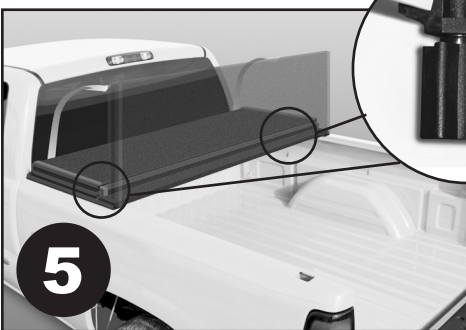
2

2. Undo both tie-down straps so cover can be unfolded.



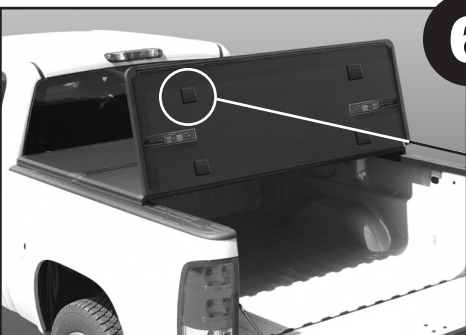
3

3. Unfold the cover all the way open to align cover on the truck bed rails before clamping.



4

4. Secure cab clamp hooks under the metal bed rail.



5

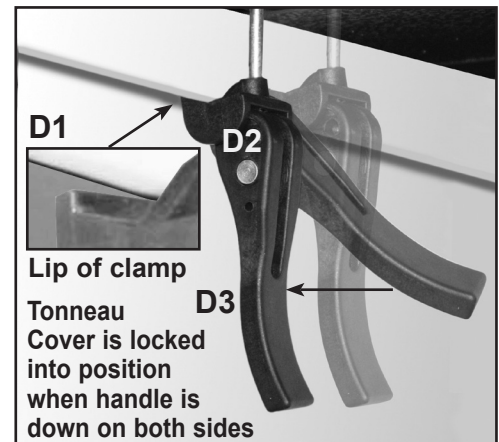
5. Unfold first section.

6

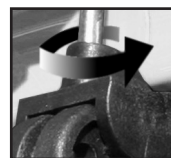
6. Unfold second section.

IMPORTANT

DO NOT remove foam blocks. They protect surface of panel when folding. Voids Warranty.



- 8b. To clamp cover down, put lip of clamp hooks under the side metal bed rail and push handle down. (See D1, D2, D3)



How To Adjust Clamps

- To adjust, turn clamp hook clockwise to tighten or counter clockwise to loosen.

9. Vehicles With Utility Track

- A. Slide aluminum blocks into track, position and tighten set-screw.
- B. Secure cab and tailgate clamp hooks on to aluminum blocks.



Cab



Tailgate

10. Paint Protectors

- A. Apply to inside metal bed rail at each latch location

*Patent No's.

8,348,328/8,256,824/8,511,736

