

# 2015-2017 Mustang Hood Strut

Installation Instructions

P/N: 422043



# 2015-2017 Mustang Hood Strut Kit

Installation Instructions

P/N: (422043) R1315-HDSTRUTS



**Application:** 2015-2017 Ford Mustang – 5.0L, 3.7L and 2.3L with Automatic or Manual Transmission  
(NOT RIGHT HAND DRIVE)

**Important Note:**

Before installing your ROUSH Performance Product, please read the installation manual and verify that all items are present.

**TABLE OF CONTENTS**

Packing List for 2015-2017 Mustang Hood Strut (R1315-HDSTRUTS).....2  
 Equipment and Supplies Required.....2  
 Limit of Liability Statement.....3  
 Safety Precautions .....3  
 Work Safely! .....3  
 Installation .....4

**PACKING LIST FOR 2015-2017 MUSTANG HOOD STRUT (R1315-HDSTRUTS)**

Description	Part Number	Quantity
Hood Mounting Bracket – LH	1315-LHHD	1
Hood Mounting Bracket – RH	1315-RHHD	1
Fender Mounting Bracket – LH	1315-LHFNDR	1
Fender Mounting Bracket – RH	1315-RHFNDR	1
Slide Bracket	1315-SDBK	2
Insulator Support Pad	1315-SPTPAD	2
M8 Flat Washer	9100A160	1
M5 Bolt	98093A316	2
Strut Assembly	913241	2
Offset Zip Tie with Fir Tree	157-00150	1
Website Instruction Sheet	1315-P1INST	1

**EQUIPMENT AND SUPPLIES REQUIRED**

- 8 mm Socket
- Pen or Pencil
- Torque Wrench
- Masking Tape
- 10 mm Socket
- 13 mm Socket
- Ratchet
- Scissors

### LIMIT OF LIABILITY STATEMENT

The information contained in this publication was accurate and in effect at the time the publication was approved for printing and is subject to change without notice or liability. ROUSH Performance Products (RPP) reserves the right to revise the information presented herein or to discontinue the production of parts described at any time.

### SAFETY PRECAUTIONS



#### **CAREFULLY READ THE IMPORTANT SAFETY PRECAUTIONS and WARNINGS BEFORE PROCEEDING WITH THE INSTALLATION!**

Appropriate disassembly, assembly methods and procedures are essential to ensure the personal safety of the individual performing the kit installation. Improper installation due to the failure to correctly follow these instructions could cause personal injury or death. Read each step of the installation manual carefully before starting the installation.

- Always wear safety glasses for eye protection.
- Place ignition switch in the OFF position.
- Always apply the parking brake when working on a vehicle.
- Block the front and rear tire surface to prevent unexpected vehicle movement.
- If working with a lift, always consult vehicle manual for correct lifting specifications.
- Operate the engine only in well-ventilated areas to avoid exposure to carbon monoxide.
- Do not smoke or use flammable items near or around the fuel system.
- Use chemicals and cleaners in well-ventilated areas.
- Batteries produce explosive gases, which can cause personal injury. Therefore, do not allow flames, sparks or flammable substances to come near the battery.
- Keep hands and any other objects away from the radiator fan blades.
- Keep yourself and your clothing away from moving parts when the engine is running.
- Do not wear loose clothing or jewelry that can get caught in rotating parts or scratch surface finishes.
- Allow the engine, cooling system, brakes and exhaust to cool before working on a vehicle.

### **WORK SAFELY!**

Perform this installation on a good clean level surface for maximum safety with the engine turned off.

## INSTALLATION

The following section will guide you through the installation of the 2015-2017 Mustang Hood Strut Kit (P/N: R1315-HDSTRUTS).

1. Open and secure the hood. Remove three (3) push-in retainers that secure the battery cover.



2. Remove the battery cover from the vehicle and disconnect the battery as described in the vehicle owner's manual.



3. Remove two (2) bolts with a 10 mm socket as shown and set them aside for re-use.



4. Locate the fender brackets (P/N: 1315-LHFNDR/ 1315-RHFNDR), slide brackets (P/N: 1315-SDBK) and the M5 bolts (P/N: 98093A316).



5. Assemble the slide brackets to the fender brackets and loosely secure them with the M5 bolts as shown.



6. Place each of the fender bracket assemblies into the locations shown. Using a 10 mm socket, loosely install the bolts that were previously removed in step 3.

**NOTE:** Install one (1) washer (P/N: 9100A160) underneath the passenger side fender bracket assembly as shown.



7. Rotate the fender brackets into position and move the slide brackets forward fully. Ensure that each M5 bolt is contacting the front radius of the slot in each fender bracket as well as the edge of the sheet metal on the vehicle as shown.



Correct



**Incorrect**



**Incorrect**

8. With the brackets seated properly, torque the M5 bolts to 8 Nm and the previously removed bolts to 10 Nm.



9. Locate the hood brackets (P/N: 1315-LHHD/ 1315-RHHD) and support pads (P/N: 1315-SPTPAD).



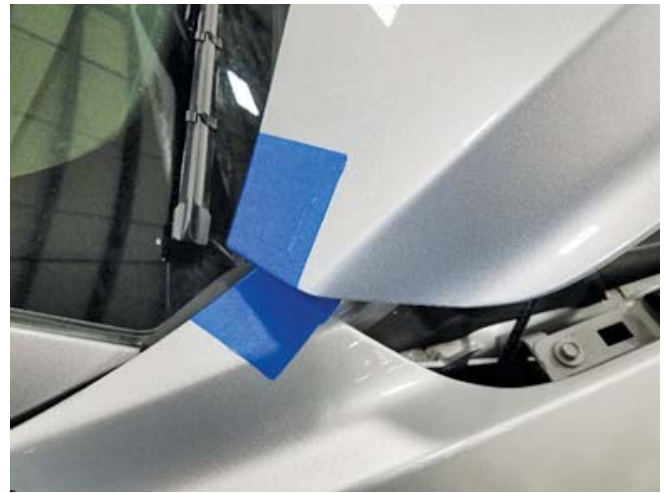
10. Remove the paper backing from each support pad and install them on the back of each hood bracket as shown.



11. Remove and discard the lower OE zip tie retainer that secures the windshield washer solvent line on the passenger side of the hood.



12. Trim eight (8) pieces of masking tape and apply them to each hood hinge and to each side of the hood near the hinges. Using a pen or pencil, mark the position of the hood to each factory hood hinge as shown in order to have a reference for proper hood alignment.



14. While firmly supporting the hood, remove the nuts that retain the hood to the hood hinge on the passenger side of the vehicle. Install the RH hood mounting bracket (P/N: 1315-RHHD). Using the 13 mm socket, torque the nuts to 23 Nm.



13. To protect the paint, apply three (3) layers of masking tape to each of the rear corners of the hood and also to the top edges of the fenders.





15. Install the offset zip tie (P/N: 157-00150) in the location from which the factory zip tie was removed. Re-secure the windshield washer solvent line.



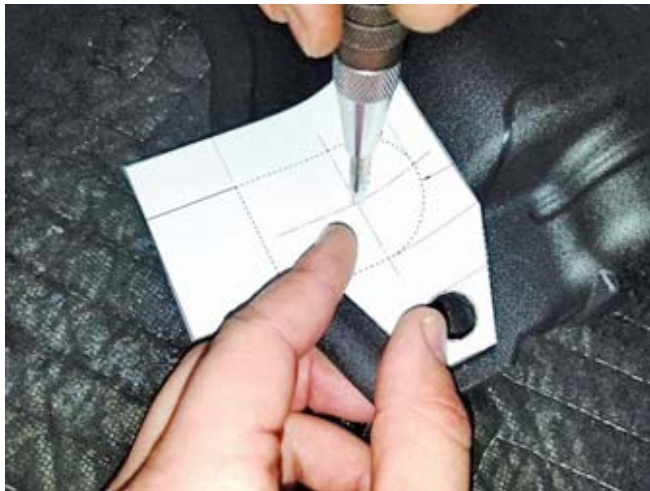
16. While firmly supporting the hood, remove the nuts that retain the hood to the hood hinge on the driver side of the vehicle. Install the LH hood mounting bracket (P/N: 1315-LHHD). Using the 13 mm socket, torque the nuts to 23 Nm.



17. Install the strut assemblies between each set of passenger side and driver side brackets by firmly pressing the ends of the strut over each ball stud. **NOTE:** Position the strut assemblies so that the body of the strut is on top.



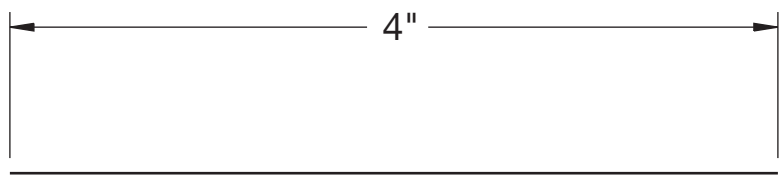
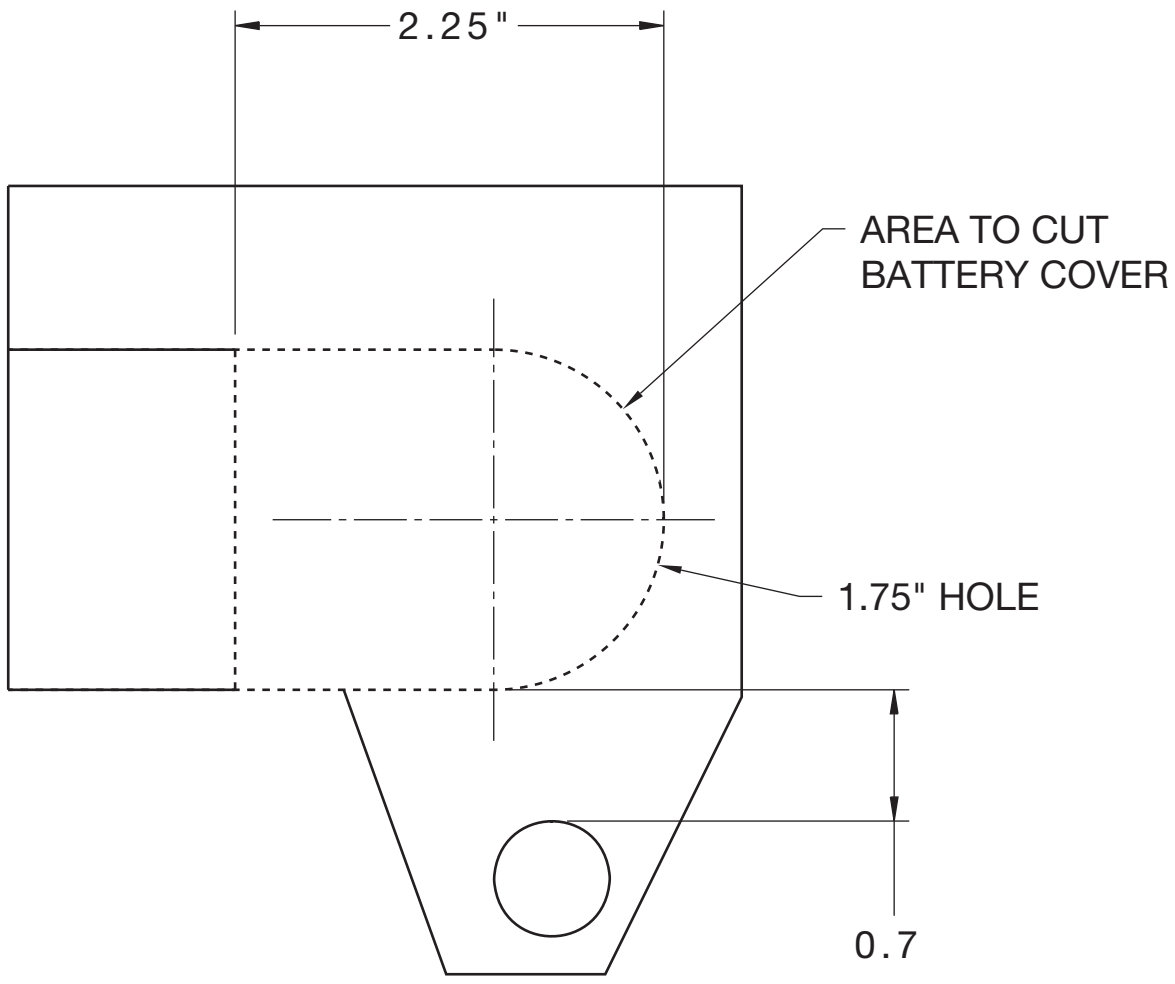
18. Trim the battery cover cut template from the last page of this installation manual and use it to trim the battery cover as shown.



19. Reconnect the battery and re-install the battery cover.



Congratulations, the installation is complete!



SCALE