

ROUSH Quarter Panel Side Scoop

Installation Instructions

P/N: 421870 • 421871 • 421872 • 421873
421874 • 421875 • 421876 • 421877
421878 • 421879 • 421880

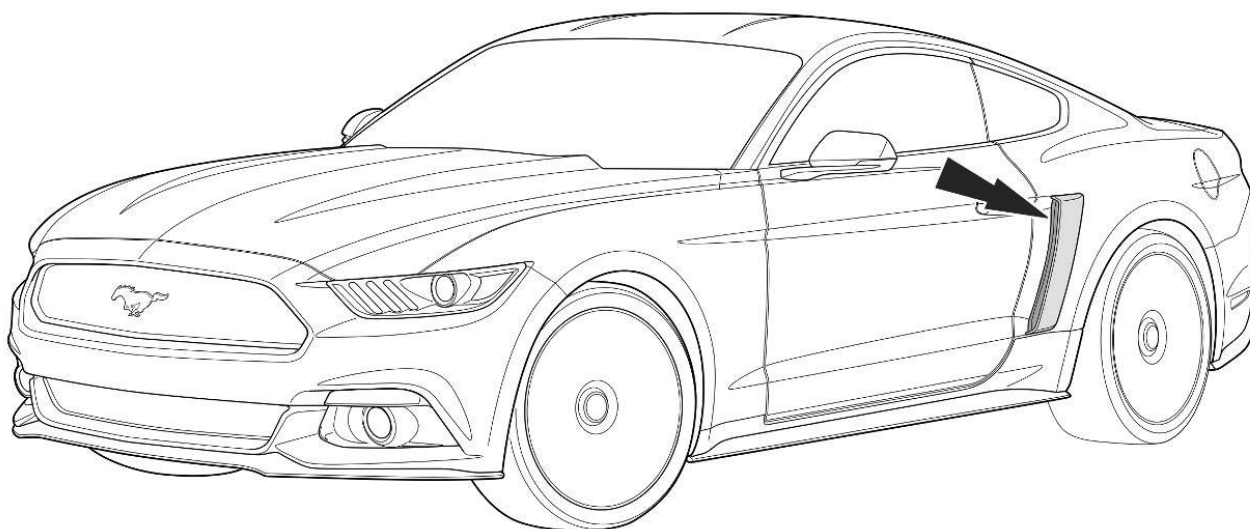


ROUSH
PERFORMANCE

2015 Mustang Quarter Panel Side Scoop

Installation Instructions

- 421870 (R1315-63280XX) - Primed
- 421871 (R1315-63280CY) - Competition Orange
- 421872 (R1315-63280H3) - Triple Yellow
- 421873 (R1315-63280HN) - Guard Green
- 421874 (R1315-63280J4) - Deep Impact Blue
- 421875 (R1315-63280J7) - Magnetic
- 421876 (R1315-63280PQ) - Race Red
- 421877 (R1315-63280RR) - Ruby Red
- 421878 (R1315-63280UA) - Black
- 421879 (R1315-63280UX) - Ingot Silver
- 421880 (R1315-63280YZ) - Oxford White



Application: 2015 Ford Mustang

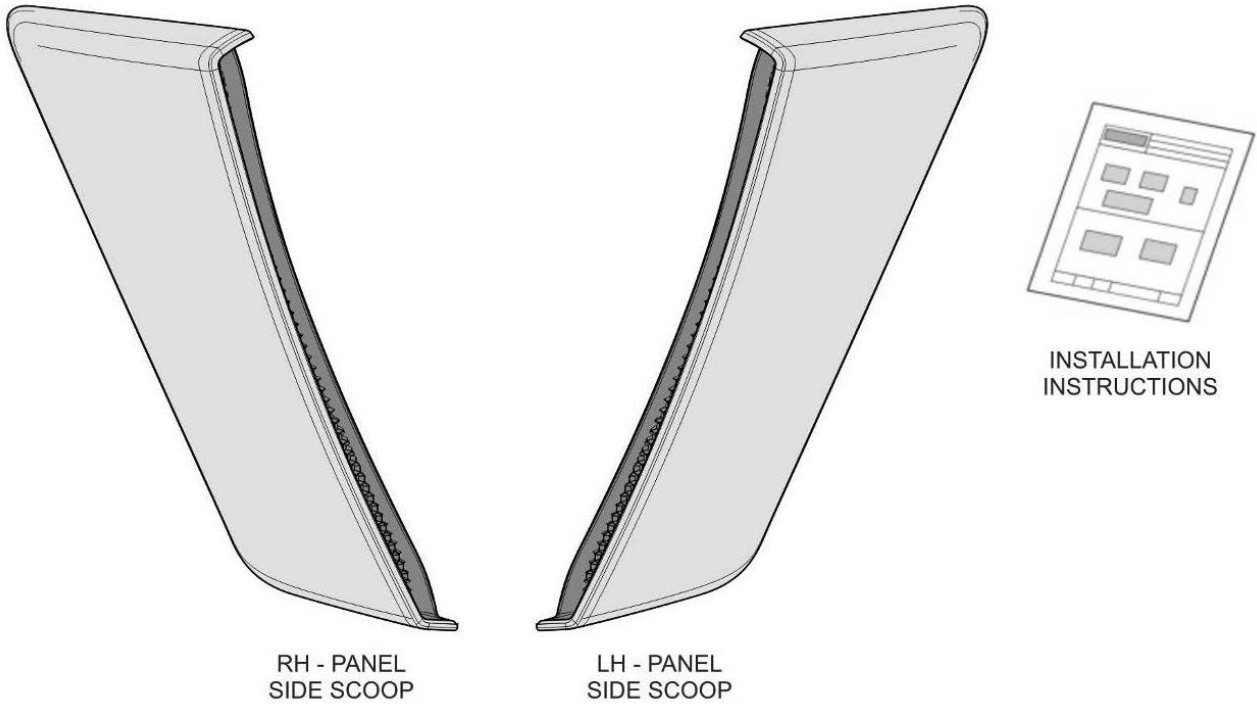
Important Note:

Before installing your ROUSH Performance Product(s), read through the entire installation procedure and check to make sure all items are present.

TABLE OF CONTENTS

Packing List for Roush Panel Side Scoop Kit 3
Equipment And Supplies Required 3
Limit of Liability Statement..... 3
Safety Precautions 4
Work Safely! 4
Quarter Panel Side Scoop Installation 5

PACKING LIST FOR ROUSH QUARTER PANEL SIDE SCOOP KIT



Description	Part Number	Quantity
Panel Side Scoop Kit	R1315-63280XX	1
Panel Side Scoop LH	1315-63279LH	1
Panel Side Scoop RH	1315-63278RH	1
Installation Template	1315-SSCTMPL	1

EQUIPMENT AND SUPPLIES REQUIRED

- Isopropyl Alcohol Packets or 50/50 Alcohol/Water Solution
- Scissors
- Masking Tape
- Rubber Roller

LIMIT OF LIABILITY STATEMENT

The information contained in this publication was accurate and in effect at the time the publication was approved for printing and is subject to change without notice or liability. ROUSH Performance Products (RPP) reserves the right to revise the information presented herein or to discontinue the production of parts described at any time.

SAFETY PRECAUTIONS



CAREFULLY READ THE IMPORTANT SAFETY PRECAUTIONS and WARNINGS BEFORE PROCEEDING WITH THE INSTALLATION!

Appropriate disassembly, assembly methods and procedures are essential to ensure the personal safety of the individual performing the kit installation. Improper installation due to the failure to correctly follow these instructions could cause personal injury or death. Read each step of the installation manual carefully before starting the installation.

- Always wear safety glasses for eye protection.
- Place ignition switch in the OFF position.
- Always apply the parking brake when working on a vehicle.
- Block the front and rear tire surface to prevent unexpected vehicle movement.
- If working with a lift, always consult vehicle manual for correct lifting specifications.
- Operate the engine only in well-ventilated areas to avoid exposure to carbon monoxide.
- Do not smoke or use flammable items near or around the fuel system.
- Use chemicals and cleaners in well-ventilated areas.
- Batteries produce explosive gases, which can cause personal injury. Therefore, do not allow flames, sparks or flammable substances to come near the battery.
- Keeps hands and any other objects away from the radiator fan blades.
- Keep yourself and your clothing away from moving parts when the engine is running.
- Do not wear loose clothing or jewelry that can get caught in rotating parts or scratch surface finishes.
- Allow the engine, cooling system, brakes and exhaust to cool before working on a vehicle.

WORK SAFELY!

Perform this installation on a good clean level surface for maximum safety and with the engine turned off.

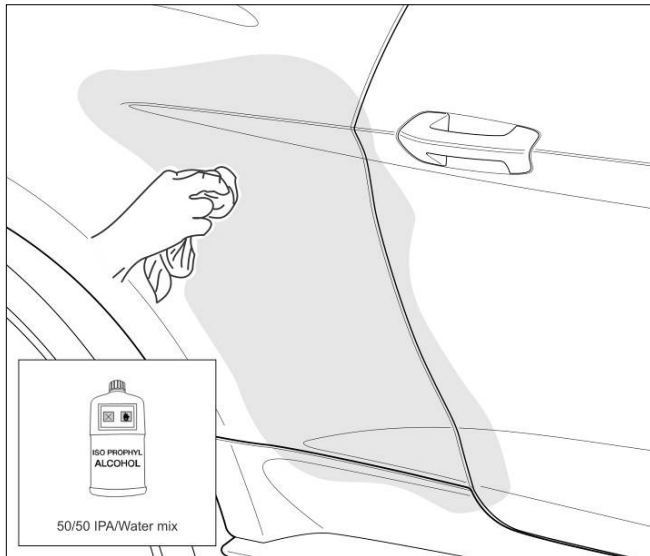
PAINTED PART PREPARATION



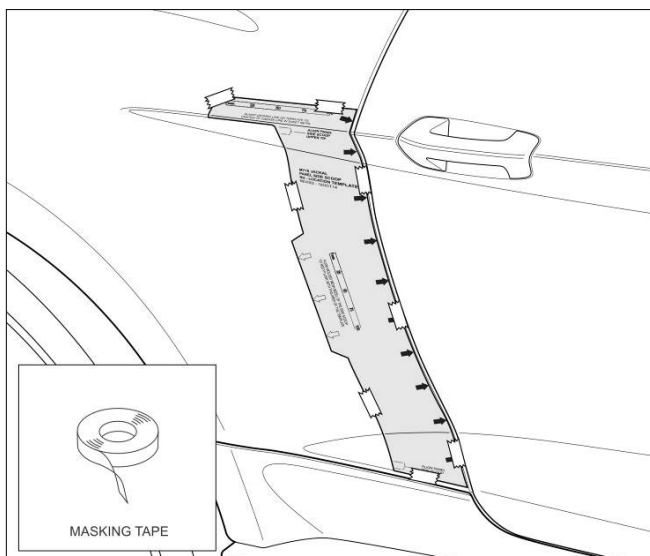
Unpainted/primed parts purchased from ROUSH require further preparation prior to being painted. Removal of any excess plastic flashing and sanding of the primed parts is required prior to paint application. The primed parts as received should not be painted without further surface preparation.

QUARTER PANEL SIDE SCOOP INSTALLATION

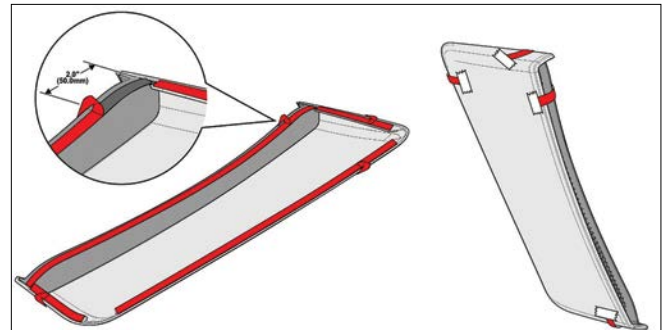
1. Make sure the vehicle's body side is clean and dry. The sheet metal should be between 61°-81°F (16°-31°C).
2. Use 50/50 (alcohol/water) solution to clean the body side in the area that the side scoop is to be installed.



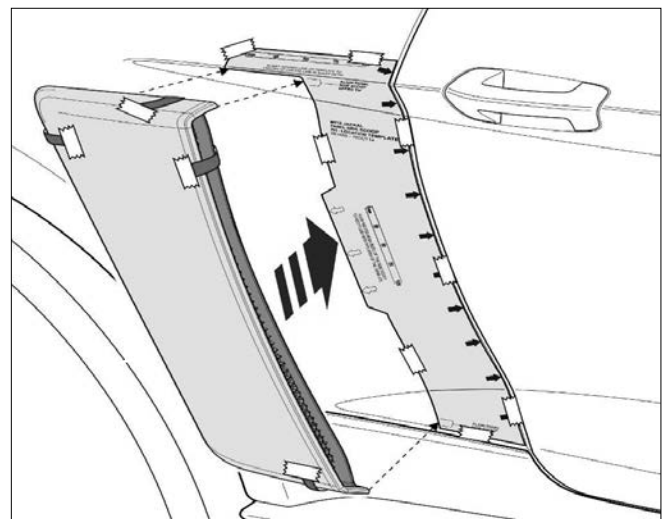
3. Cut out the LH and RH paper alignment templates (1315-SSCTMP). Take care in the areas indicated with arrows, as these areas are crucial for the correct alignment of the side scoop.
4. Using the directions indicated on the paper template, align the template to body side as shown below. Confirm alignment is correct and secure using masking tape.



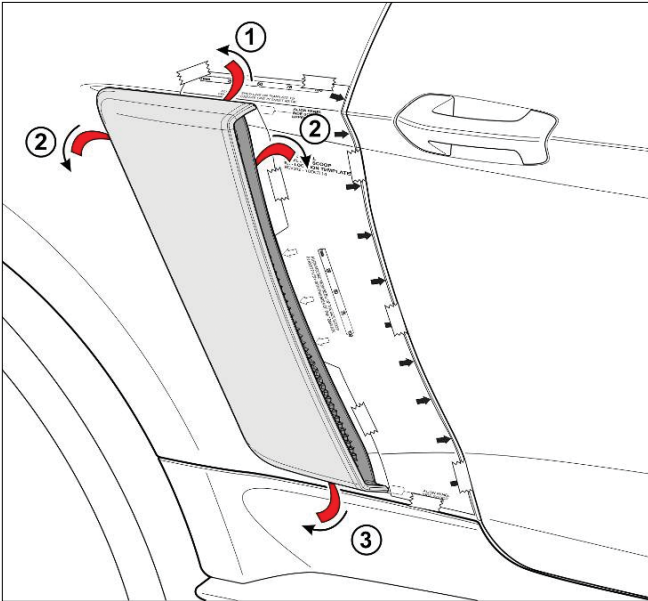
5. Peel back 2.0" (50.0 mm) of each tape liner and secure to the A-side of the side scoop with masking tape.



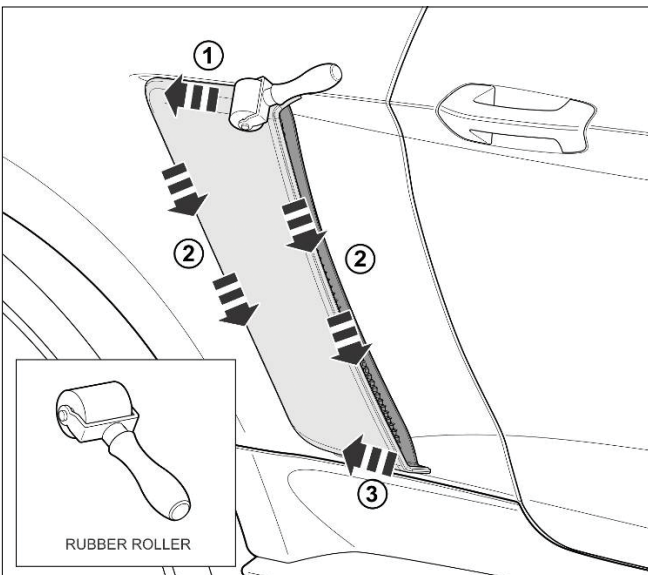
6. Install the side scoop onto the body side using the directions on the template. Do not allow the exposed double-sided tape to adhere to the sheet metal until the side scoop is properly aligned, then press down.



7. Remove all tape liners in the order shown below. Be sure to remove the tape liners in the direction indicated.



8. Remove and discard template.
9. Using a rubber roller or the palm of your hand, apply 15 ft-lb of pressure over the entire tape area to 'wet-out' the double-sided tape as shown below.



10. Repeat steps 1 through 9 on the other side of the vehicle.