

# ROUSH®

THE ART OF PERFORMANCE ENGINEERING

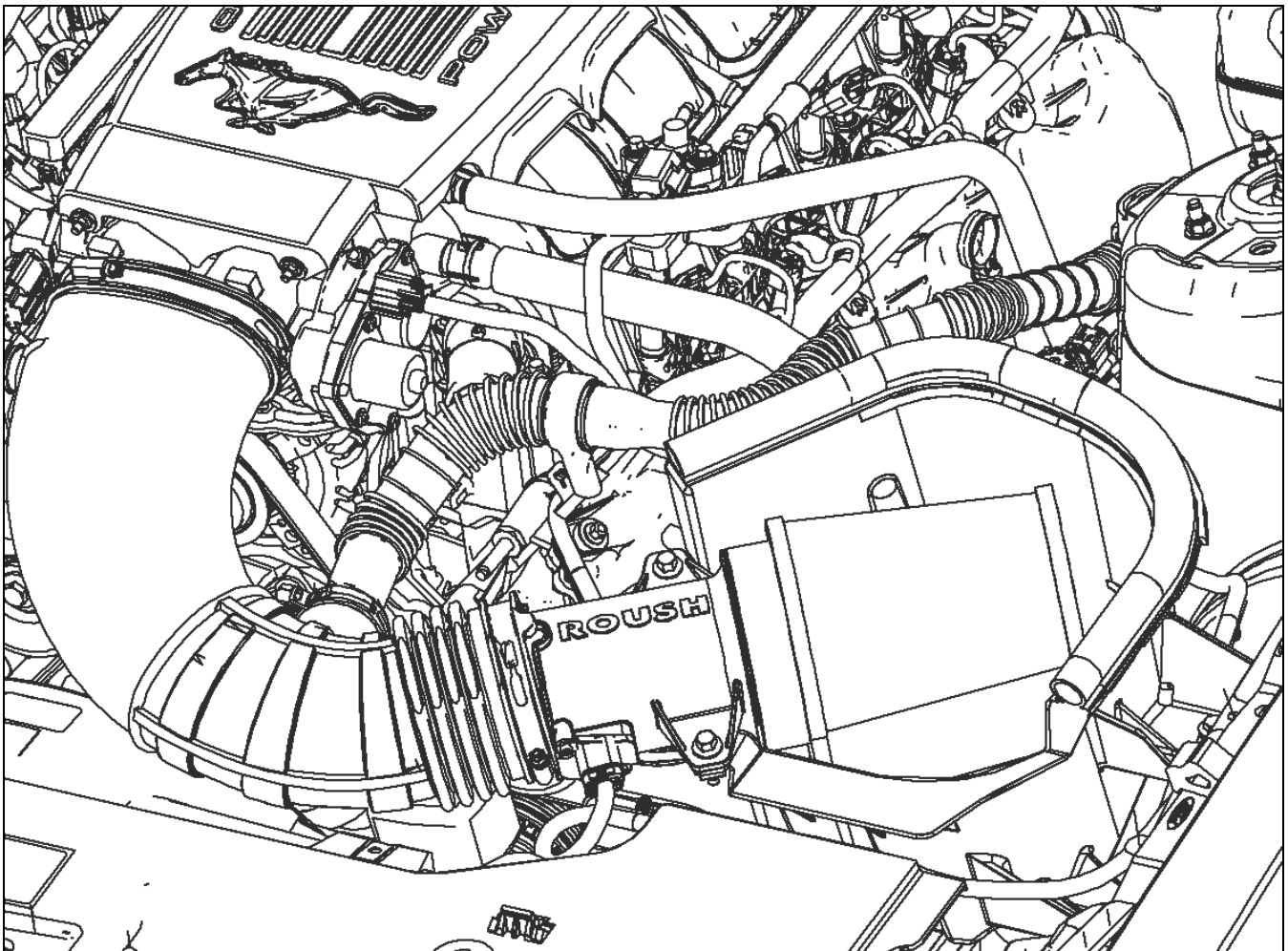
OFF ROAD USE ONLY

## 2010 Ford Mustang GT Cold Air Kit

P/N: 13109600

OFF ROAD USE ONLY

# Installation Instructions



### Applications:

2010 Ford Mustang GT with 4.6L 3-valve engine (w/ Manual & Automatic Transmissions)

### Important Note:

- Before installing your Mustang Cold Air Kit, please read the installation manual and verify that all items are present.



## **TABLE OF CONTENTS**

EQUIPMENT AND SUPPLIES REQUIRED .....	2
PACKAGING LIST FOR COMPLETE COLD AIR KIT.....	3
LIMIT OF LIABILITY STATEMENT .....	4
SAFETY PRECAUTIONS .....	4
SECTION A – DISASSEMBLY.....	5
SECTION B – SUBASSEMBLY .....	7
SECTION C – INSTALLATION .....	10
WARRANTY.....	11

## **EQUIPMENT AND SUPPLIES REQUIRED**

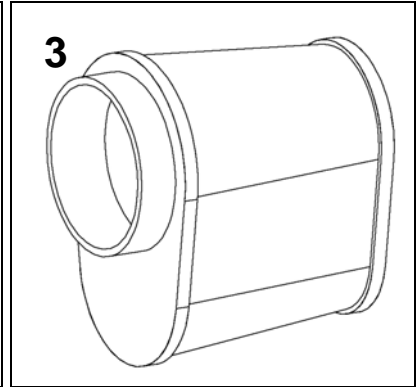
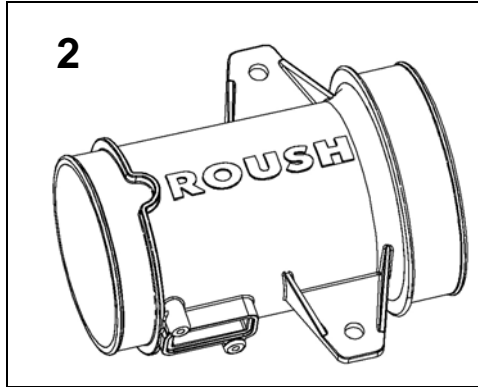
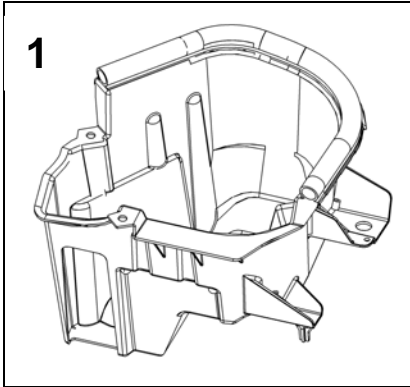
- 1/4" Drive Ratchet with Extensions
- 8mm and 10mm Sockets (short or deep)
- 1/4" Drive Torque Wrench capable of 15 Nm.
- T-20 Torx Bit Screwdriver or Socket
- Fender Cover

# ROUSH®

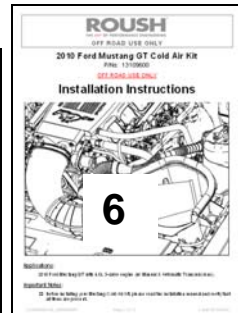
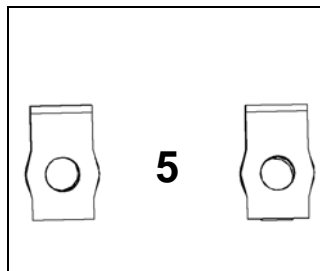
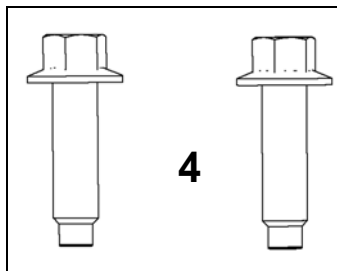
THE ART OF PERFORMANCE ENGINEERING

OFF ROAD USE ONLY

## PACKAGING LIST FOR COMPLETE COLD AIR KIT



Part Ref	Description	RPP Part Number	Qty
1	Airbox Assembly	13109A600	1
2	MAF Tube	131012B579	1
3	Filter with Clamp	13109601	1



Part Ref	Description	RPP Part Number	Qty
---	<b>Hardware Kit – Cold Air Kit</b>	<b>13109600HKA</b>	<b>1</b>
4	Bolt – MAF Tube to Airbox (M8 x 1.25 x 25mm)	W500224	2
5	J-Clip – MAF Tube to Airbox (M8)	W520823	2
6	Installation Manual	13109600IM	1



## **LIMIT OF LIABILITY STATEMENT**

The information contained in this publication was accurate and in effect at the time the publication was approved for printing and is subject to change without notice or liability. Roush Performance Products (RPP) reserves the right to revise the information presented herein or to discontinue the production of parts described at any time.

## **SAFETY PRECAUTIONS**

### **STOP! CAREFULLY READ THE IMPORTANT SAFETY PRECAUTIONS AND WARNINGS BEFORE PROCEEDING WITH THE INSTALLATION!**

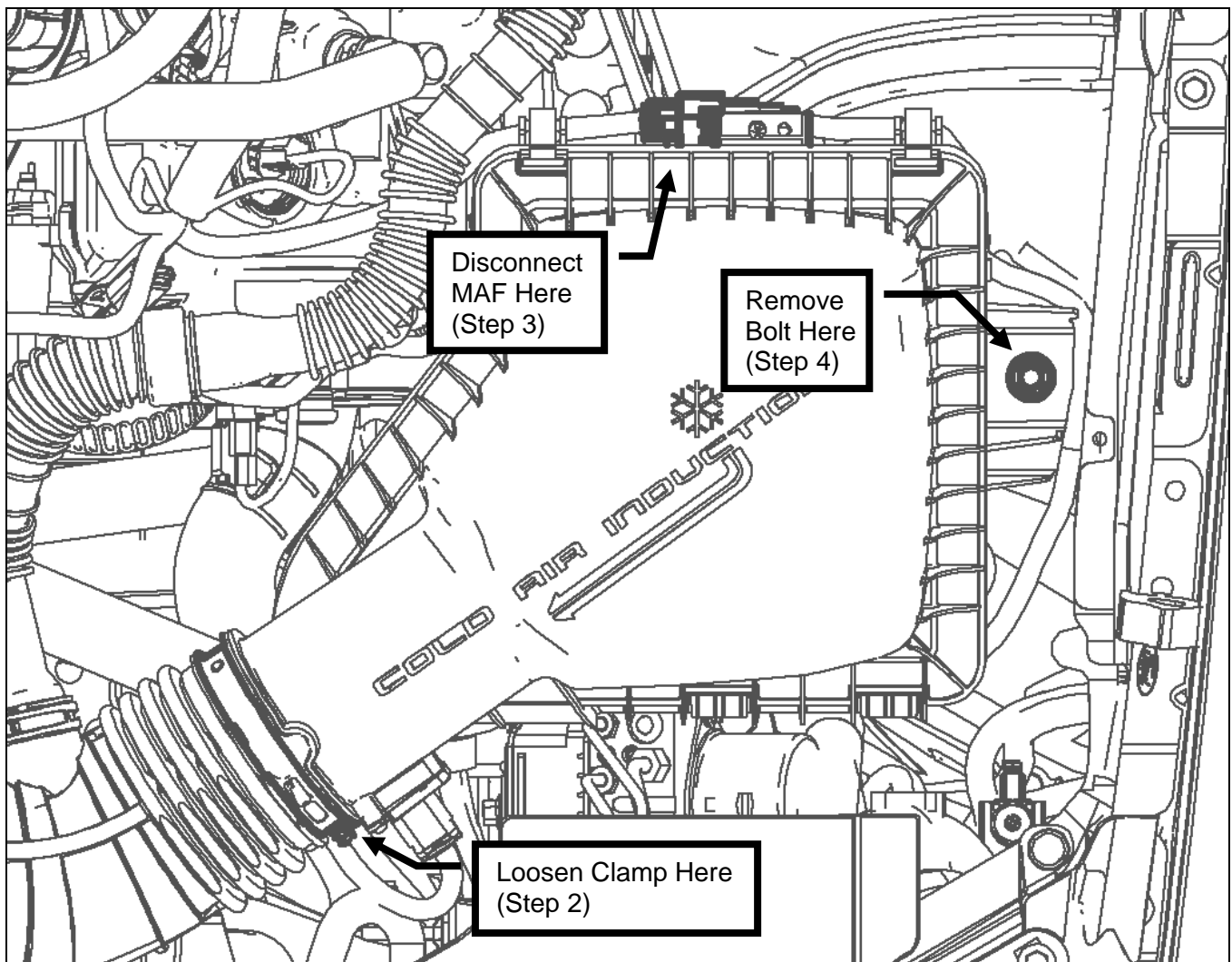
Appropriate disassembly, assembly methods and procedures are essential to ensure the personal safety of the individual performing the kit installation. Improper installation due to the failure to correctly follow these instructions could cause personal injury or death. Read each step of the installation manual carefully before starting the installation.

- ! Always wear safety glasses for eye protection.
- ! Place the ignition switch in the OFF position.
- ! Always apply the parking brake when working on the vehicle.
- ! Block the front and rear tire surfaces to prevent unexpected vehicle movement.
- ! Operate the engine only in well-ventilated areas to avoid exposure to carbon monoxide.
- ! Do not smoke or use flammable items near or around the fuel system.
- ! Use chemicals and cleaners only in well-ventilated areas.
- ! Batteries can produce explosive hydrogen gas which can cause personal injury. Do not allow flames, sparks or flammable sources to come near the battery.
- ! Keep hands and any other objects away from the radiator fan blades.
- ! Keep yourself and your clothing away from moving parts when the engine is running.
- ! Do not wear loose clothing or jewelry that can be caught in rotating or moving parts.
- ! Allow the engine, cooling system, brakes and exhaust to cool before working on a vehicle.

## **SECTION A – DISASSEMBLY**

The following section will guide you through the disassembly of the stock components.

1. Cover the driver side fender to protect the vehicle finish.
2. Using an 8 mm socket, loosen the clamp that secures the clean air tube to the airbox lid.
3. Disconnect the MAF (mass air flow) sensor harness from the engine harness at the back of the airbox assembly.
4. Remove the M6 bolt that secures the airbox assembly to the chassis using a 10 mm socket. Save this bolt for later use. Remove the airbox from the vehicle.

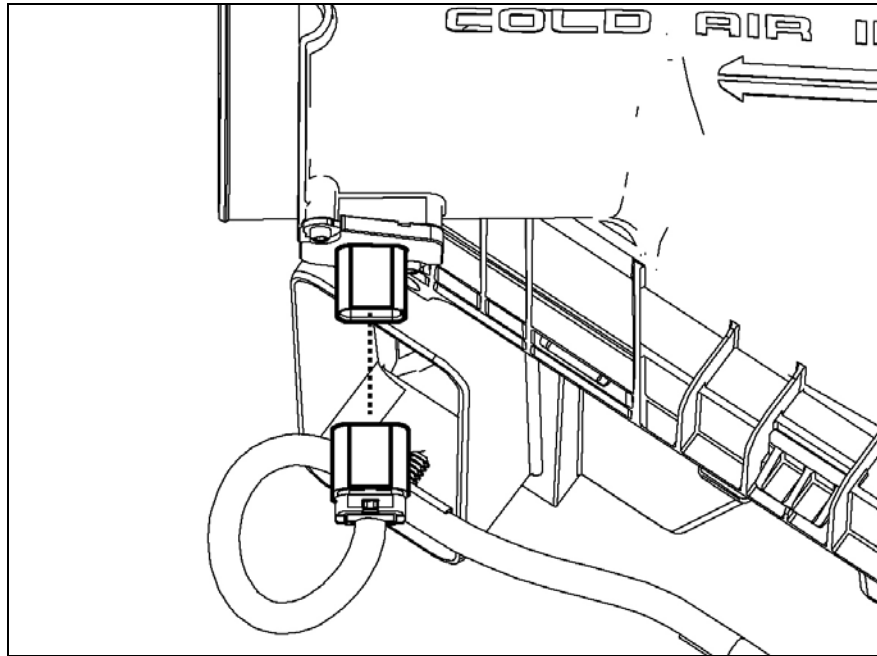


# ROUSH®

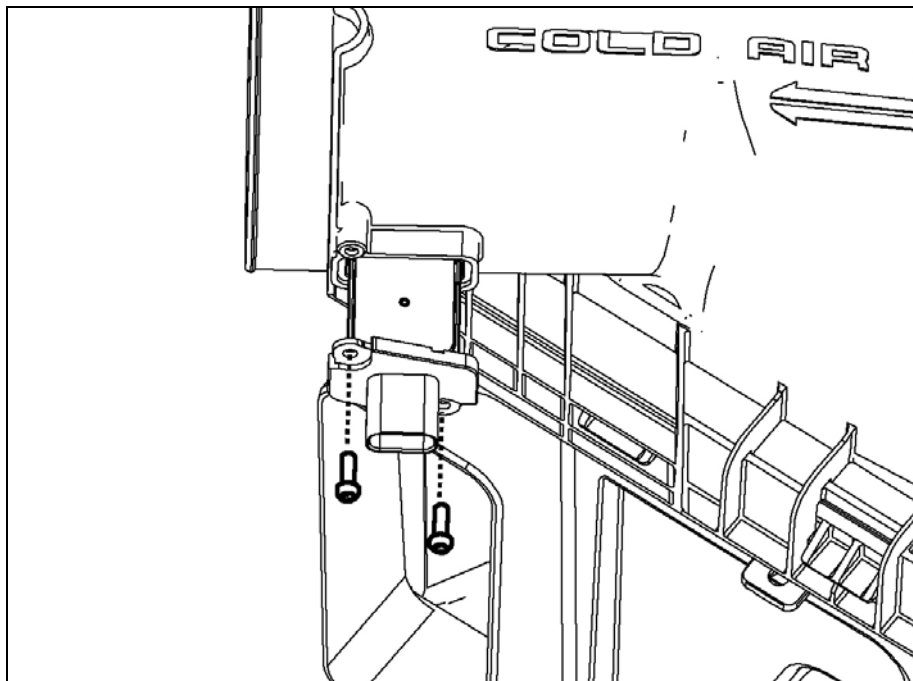
THE ART OF PERFORMANCE ENGINEERING

OFF ROAD USE ONLY

5. Disconnect the MAF sensor connector by pulling the red locking tab back and pressing the black release tab. Remove the entire MAF sensor wiring harness from the airbox. This harness will be reused.



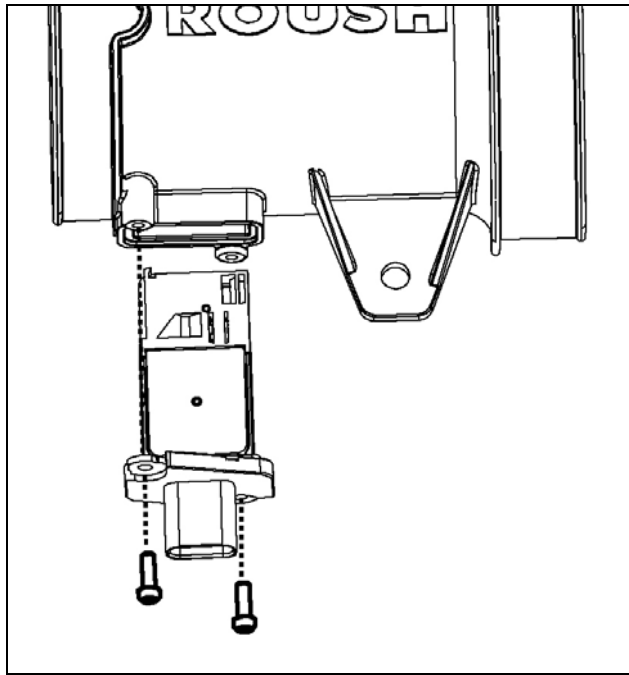
6. Remove the MAF sensor from the airbox lid using a T-20 Torx screwdriver or socket. Save the sensor and screws for later use.



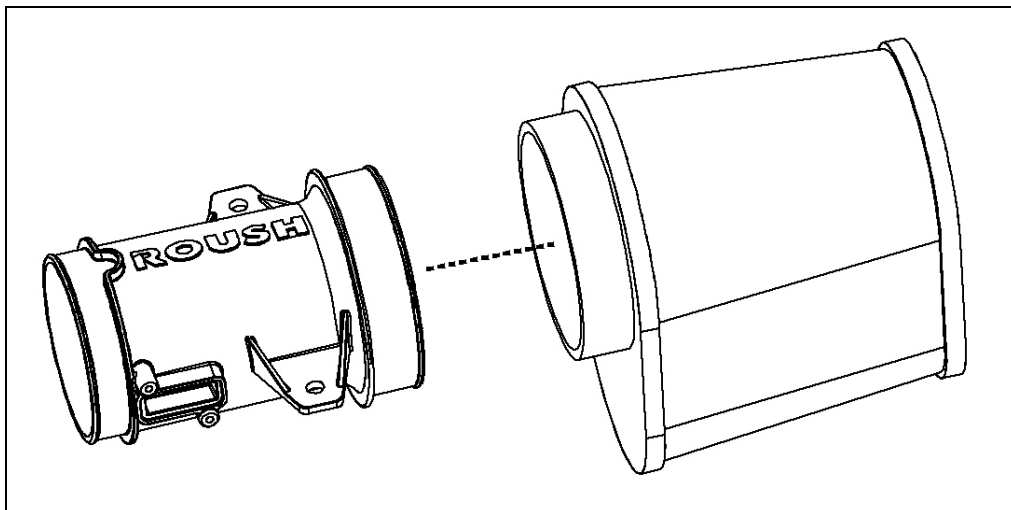
## **SECTION B – SUBASSEMBLY**

The following section will guide you through the build up of the kit. This work can be performed away from the vehicle.

1. Install the stock MAF sensor into the MAF Tube (131012B579) using the take off screws. Torque the screws to 1.8 – 2.2 Nm. Be careful not to over tighten these screws.



2. Install the Filter (13109601) onto the MAF Tube. Align the tab on the filter with the notch on the MAF Tube. Torque clamp to 3 – 5 Nm.

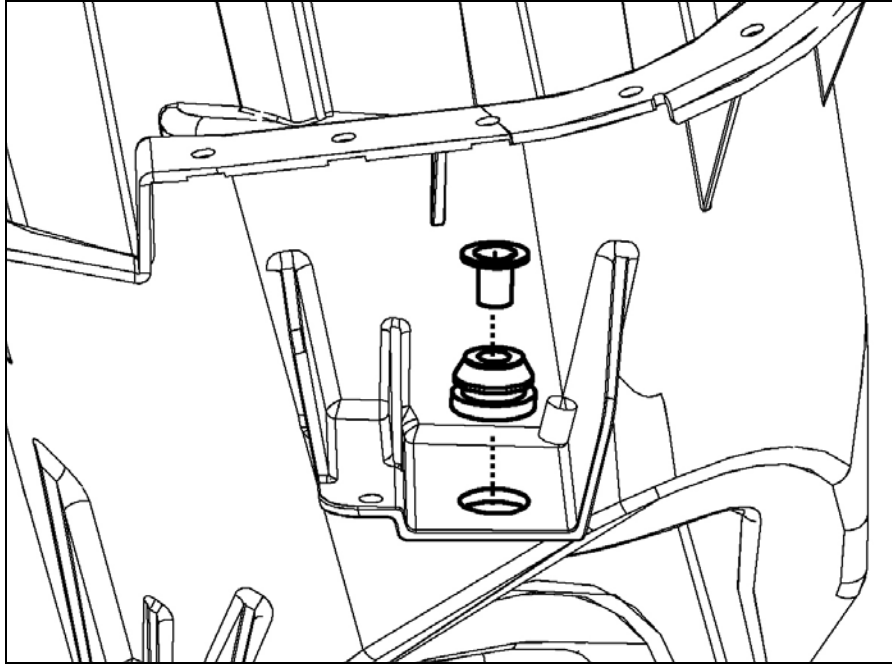


# ROUSH<sup>®</sup>

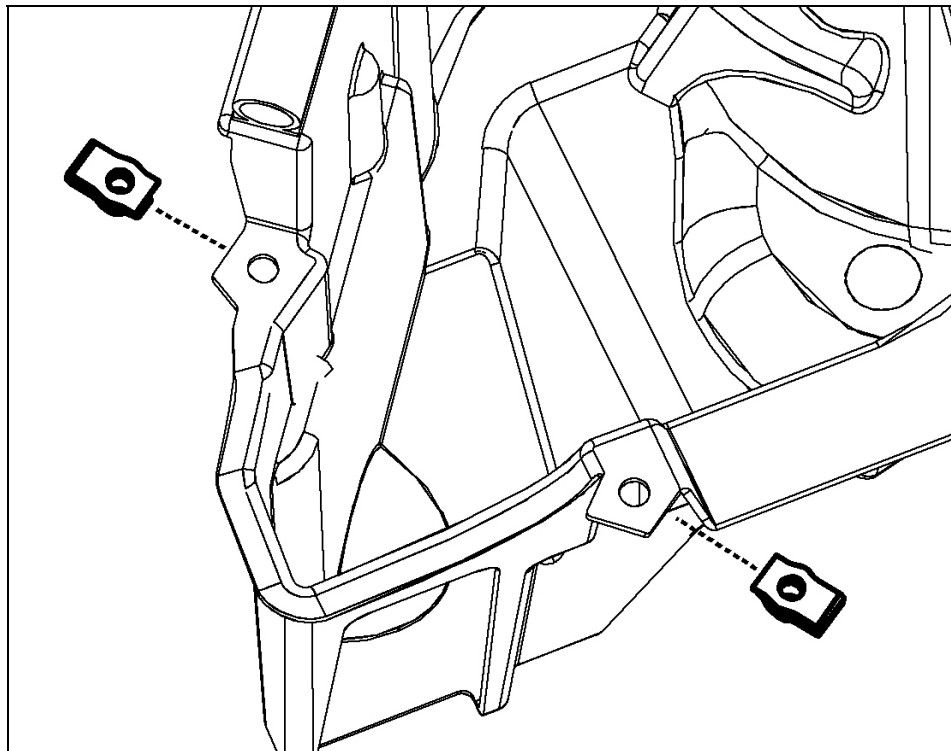
THE ART OF PERFORMANCE ENGINEERING

OFF ROAD USE ONLY

3. Remove the grommet and sleeve from the mounting tab on the stock airbox and install them in the new Airbox Assembly (13109A600) in the same orientation.



4. Install (2) J-Clips (W520823) on the Airbox.



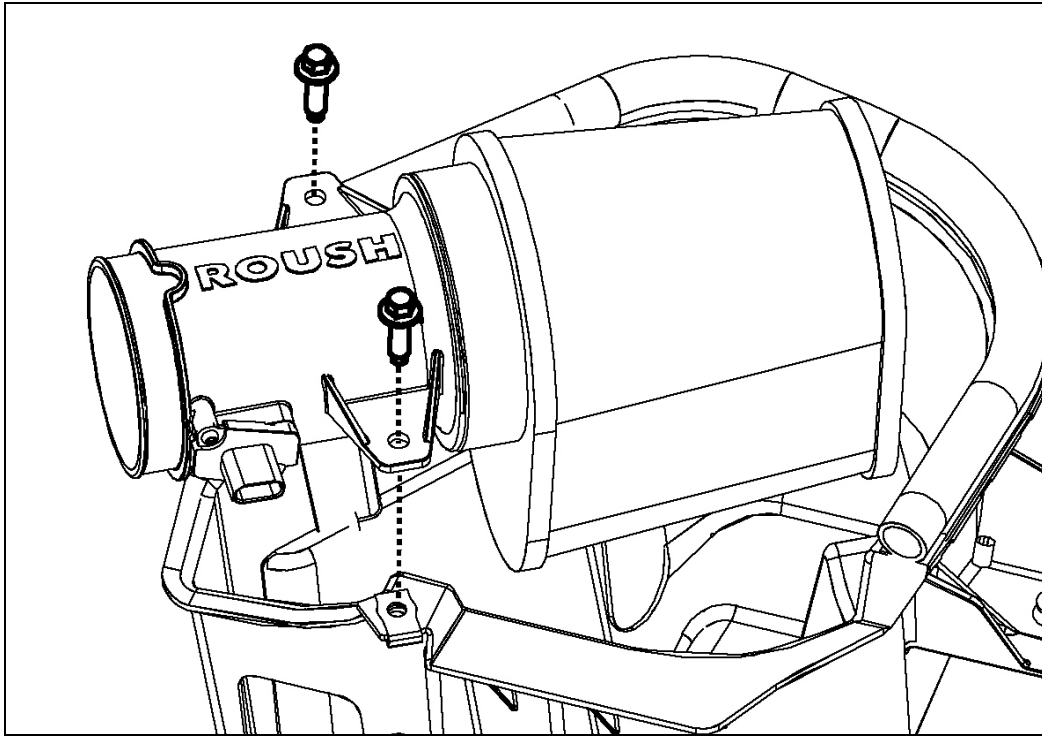


# ROUSH®

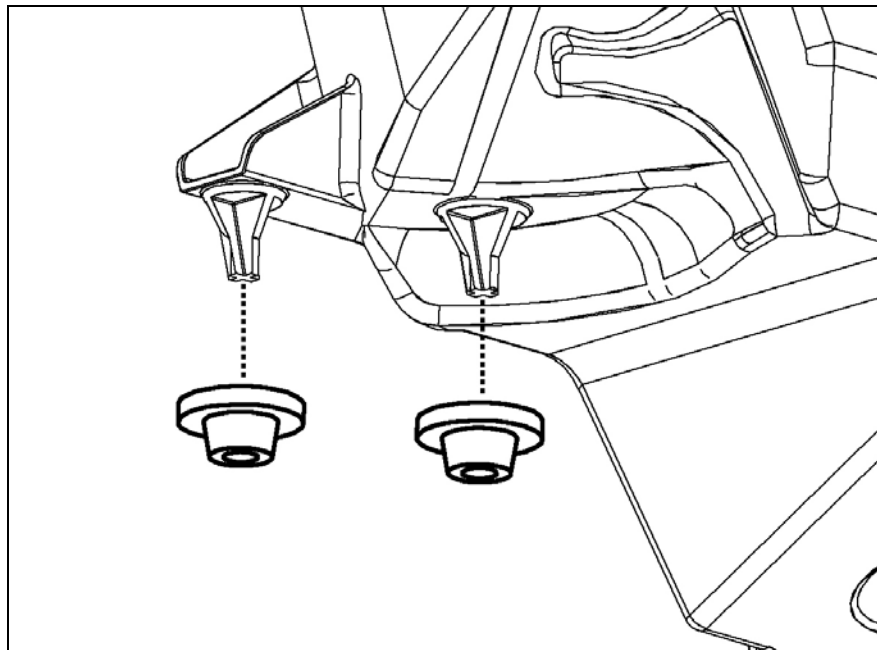
THE ART OF PERFORMANCE ENGINEERING

OFF ROAD USE ONLY

5. Secure the MAF Tube and Filter to the Airbox using (2) M8 x 1.25 x 25 mm bolts (W500224). Torque bolts to 11.5 – 13.5 Nm.



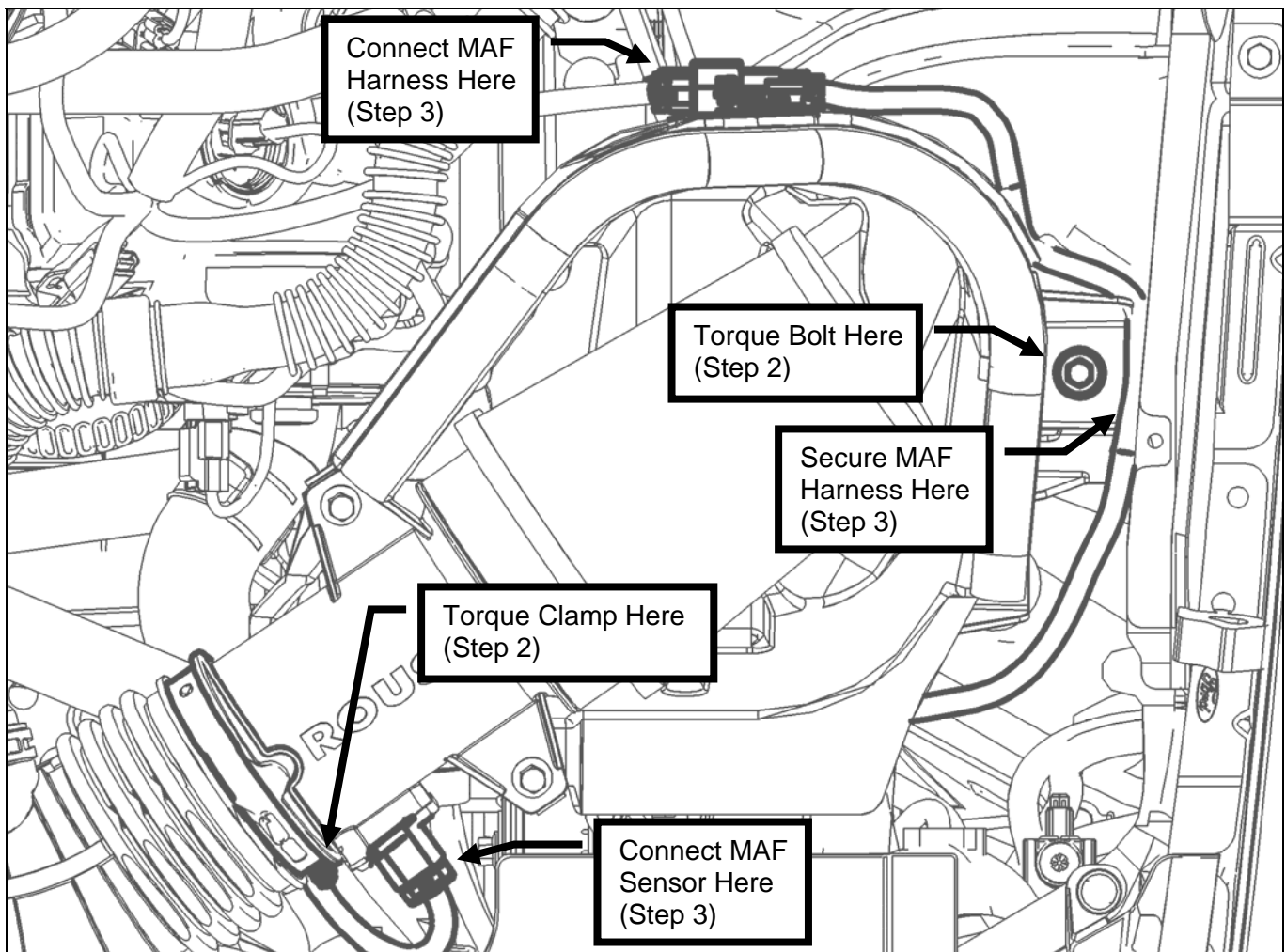
6. Remove the rubber mounting isolators from the bottom of the stock airbox and install them on the bottom of the new Airbox in the same orientation.



## SECTION C – INSTALLATION

The following section will guide you through the final installation of the kit into the vehicle.

1. Install the new airbox assembly into the vehicle. Secure it to the chassis using the take off M6 bolt and torque to 8 – 12 Nm.
2. Connect the stock clean air tube to the MAF Tube using the stock clamp. Torque clamp to 3 – 5 Nm.
3. Connect the MAF sensor wiring harness to the engine harness at the rear of the airbox. Route the harness around the airbox away from the engine and plug in the MAF sensor. Secure the harness to the airbox by pushing the second push pin from the 6 pin connector into the hole by the airbox mounting bolt. Tuck the loose harness in front of the airbox under the radiator cover.





OFF ROAD USE ONLY

## WARRANTY

All retail parts carry a 90-day warranty from the date of purchase. This warranty covers defects in materials or workmanship, and does not include (i) normal wear and tear, environmental conditions, improper installation; (ii) road hazards, misuse, abuse, neglect, accidents, collision, fire, theft, freezing, vandalism, riot, explosion, or objects striking the vehicle; (iii) misusing the vehicle, such as driving over curbs, overloading, racing, or using the vehicle as a stationary power source; (iv) altering, disassembling or modifying the parts; (v) defects caused or induced by failures, breakdowns, or damage by other parts, components or the vehicle; (vi) subjecting the parts to excessive moisture or water or any motor vehicle fluids (e.g.: oil, anti-freeze, battery acid, brake fluid, etc.); (vii) acts of God, natural disasters and other similar causes beyond the reasonable control of Roush; or (viii) application of chemicals that affect the parts. This Limited Warranty does not cover surface deterioration of paint, trim, and appearance items that result from use and/or exposure to the elements, such as stone chips, scratches, bird droppings, lightning, hail, windstorm, dings, dents, earthquake, road salt, tree sap, water or flood.

ROUSH SHALL NOT BE LIABLE TO REIMBURSE CUSTOMER/DEALER FOR INCIDENTAL OR CONSEQUENTIAL DAMAGES RESULTING FROM THE INSTALLATION OR USE OF ANY PRODUCT SOLD THROUGH THIS CATALOG OR ARISING OUT OF ANY BREACH OF WARRANTY. EXCEPT AS MAY BE STATED IN THIS CATALOG, ROUSH DISCLAIMS ALL EXPRESS AND IMPLIED WARRANTIES, INCLUDING THE WARRANTIES OF MERCHANTABILITY AND FITNESS FOR A PARTICULAR PURPOSE. IN NO EVENT SHALL ROUSH'S LIABILITY EXCEED THE PRICE PAID BY CUSTOMER/DEALER FOR PRODUCTS SOLD REGARDLESS IF ROUSH HAS BEEN ADVISED IN ADVANCE OF ANY POTENTIAL PROBLEM OR IF A CLAIM IS BASED ON CONTRACT, TORT, STRICT LIABILITY, PRODUCT LIABILITY OR OTHERWISE. SOME STATES DO NOT ALLOW THE EXCLUSION OR LIMITATION OF IMPLIED WARRANTIES OR THEIR DURATION, OR LIABILITY FOR INCIDENTAL OR CONSEQUENTIAL DAMAGES, SO THE ABOVE EXCLUSIONS OR LIMITATIONS MAY NOT APPLY.